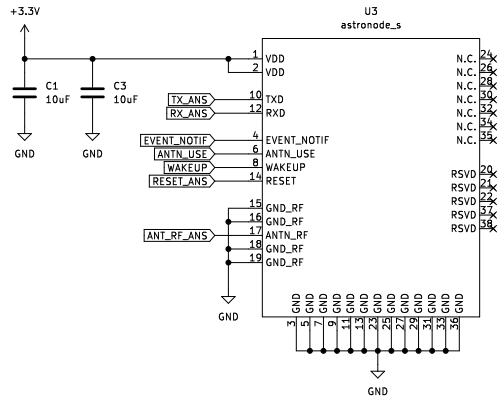
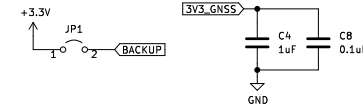
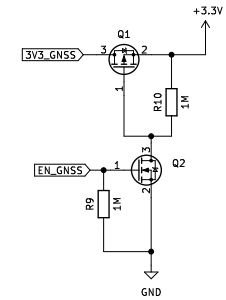
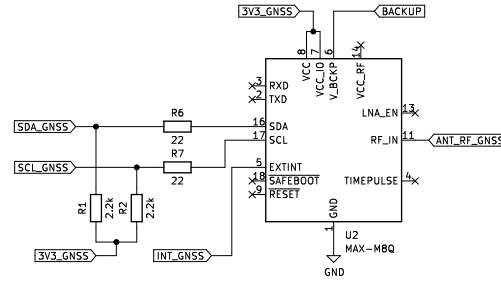


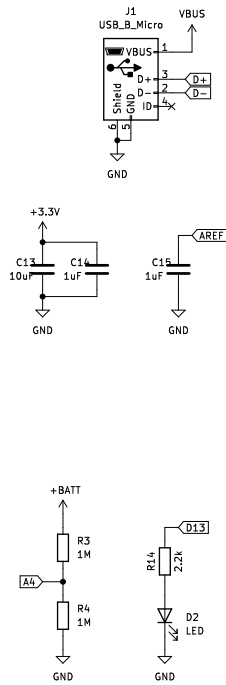
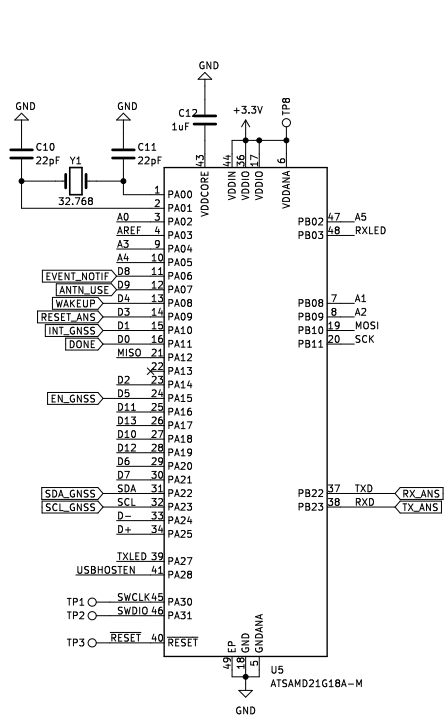
ASTRONODE Interface



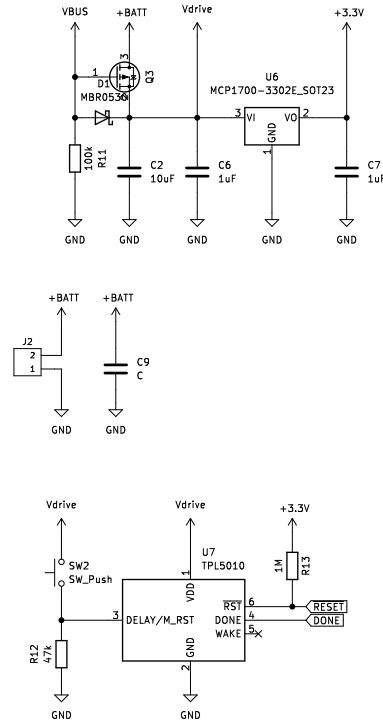
GNSS Interface



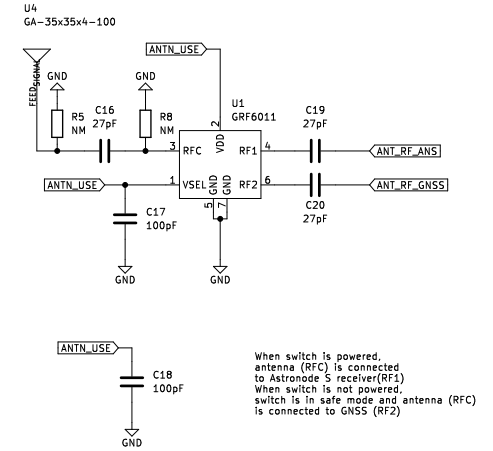
Main controller



Power regulation / source selection



RF switch



When switch is powered, antenna (RFC) is connected to Astronode S receiver (RF1).
When switch is not powered, switch is in safe mode and antenna (RFC) is connected to GNSS (RF2).

rvalceschIn@astrocast.com

Sheet: /

File: astrotracker.kicad_sch

Title: AstroTracker

Size: A3 Date: 2023-01-24

KiCad E.D.A. kicad (6.0.0-rc1-467-g5bf9bd3ebb)

Rev: V06 REV2

Id: 1/1

