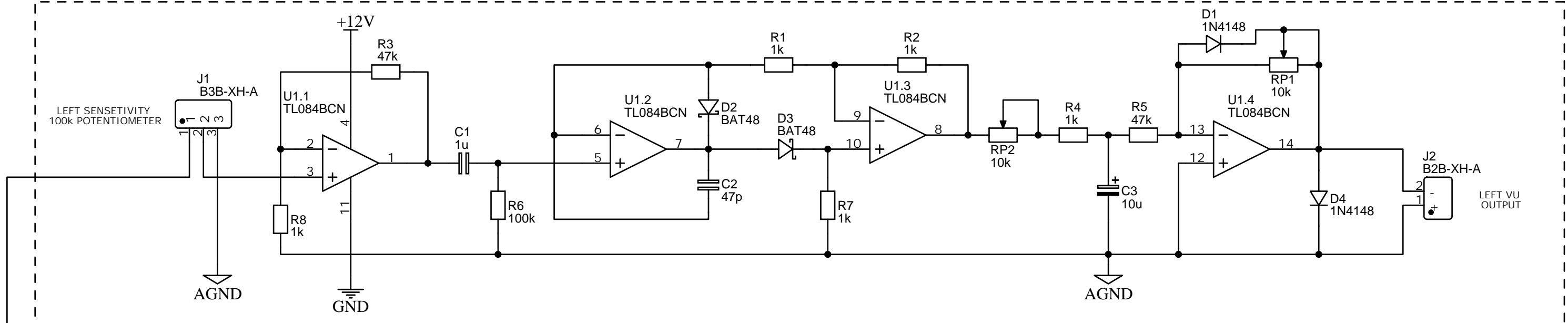
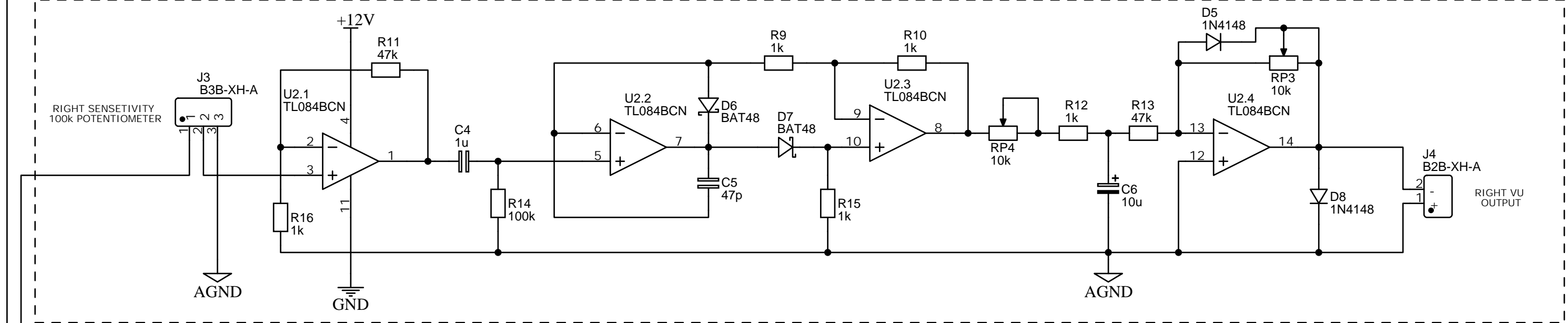


Note 1: All resistors are axial carbon $\pm 5\%$ 0,25W type.
 Note 2: All electrolytic capacitors are 25V $\pm 20\%$ and others are $\pm 20\%$ MLCC type.

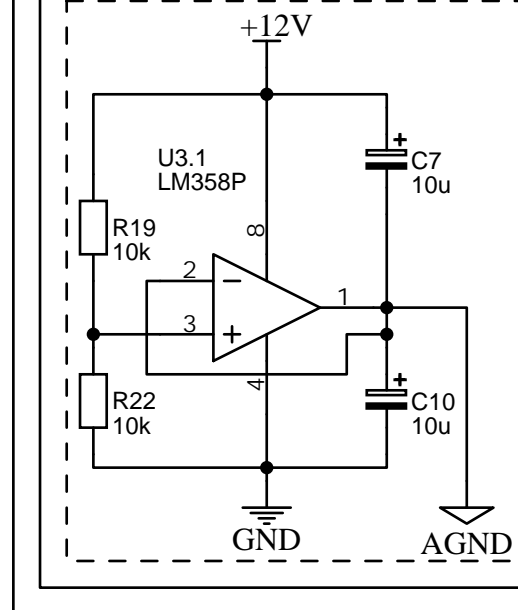
Left Audio Channel Driver



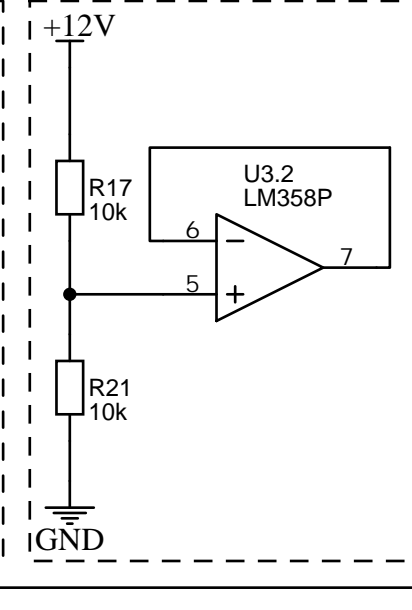
Right Audio Channel Driver



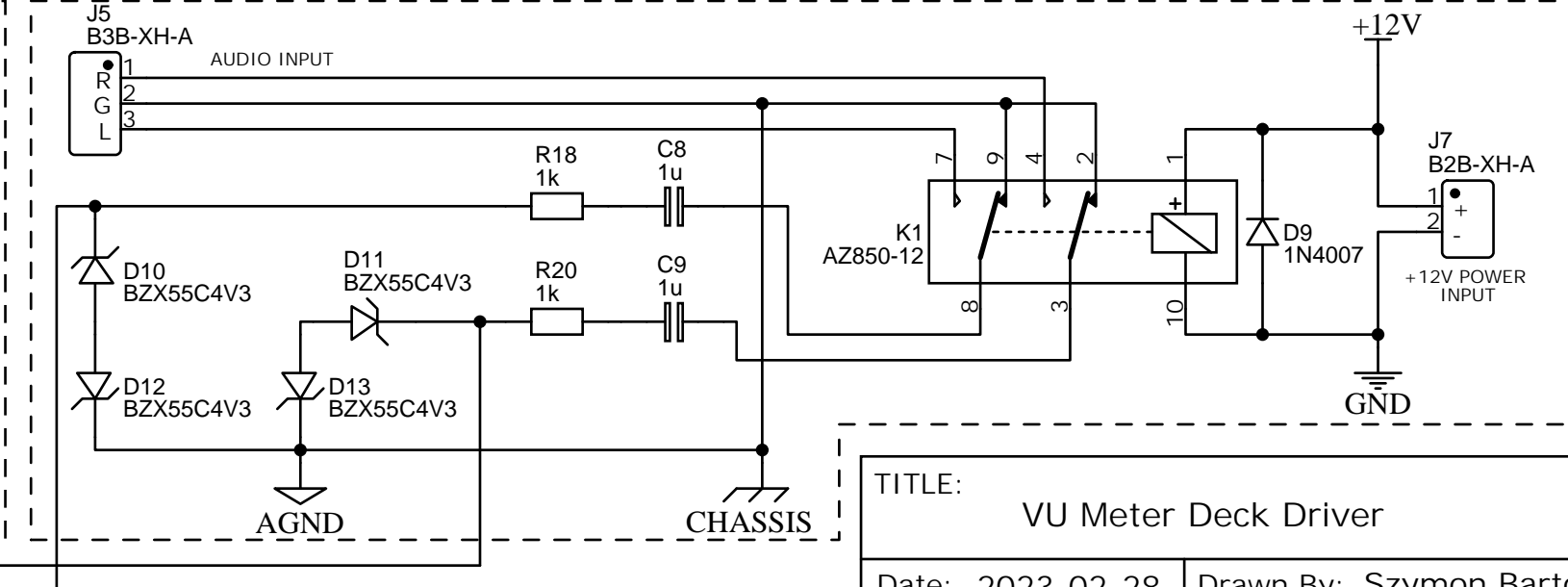
Voltage Splitter



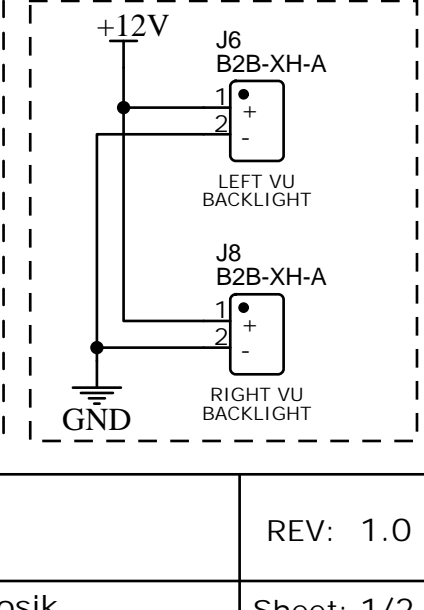
Unused LM358 Channel



Input

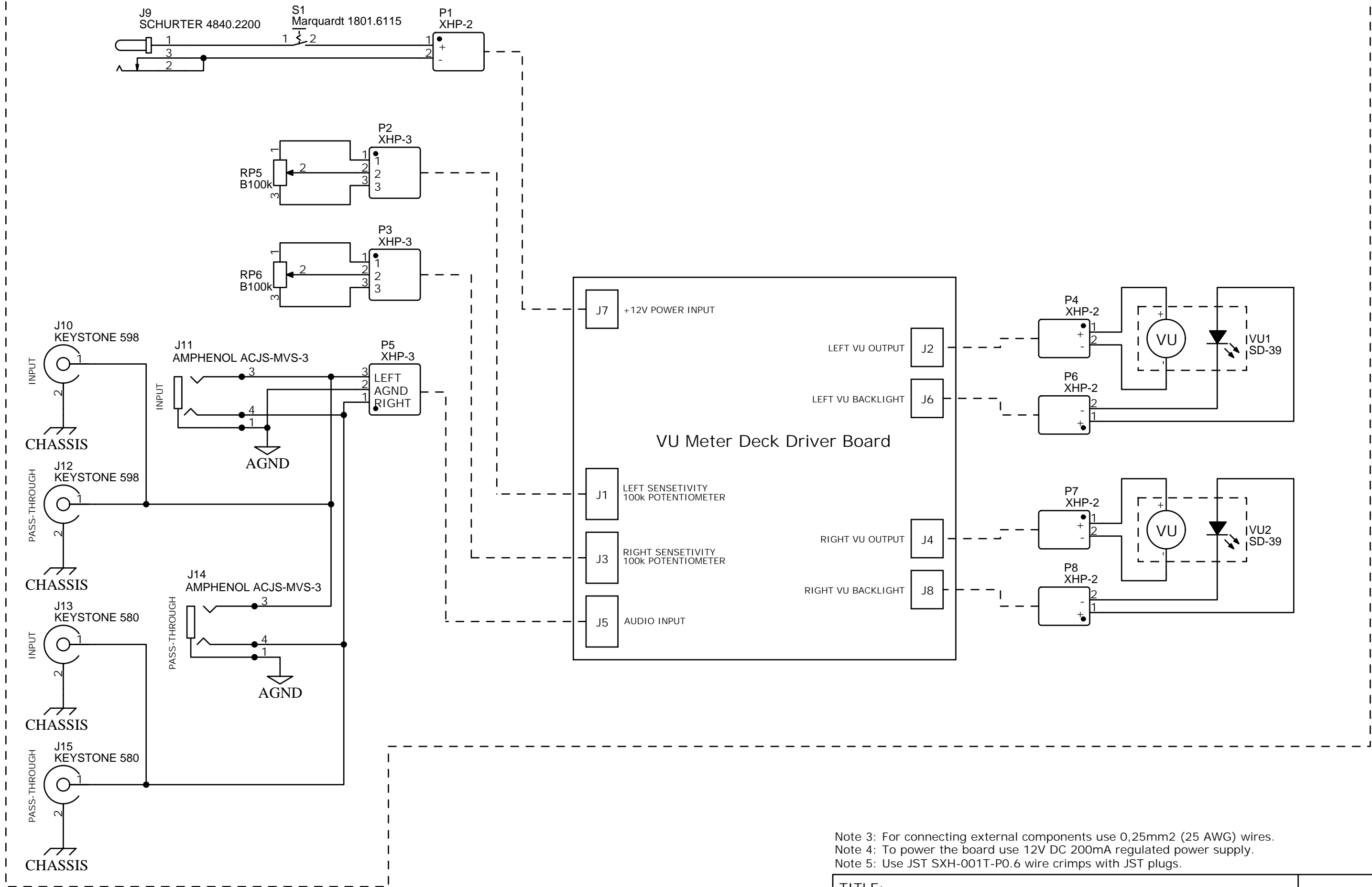


Backlights



TITLE: VU Meter Deck Driver		REV: 1.0
Date: 2023-02-28	Drawn By: Szymon Bartosik	Sheet: 1/2

Hammond 1455N1201BK Aluminum Enclosure



Note 3: For connecting external components use 0,25mm² (25 AWG) wires.
 Note 4: To power the board use 12V DC 200mA regulated power supply.
 Note 5: Use JST SXH-001T-P0.6 wire crimps with JST plugs.

TITLE:		VU Meter Deck Wiring Diagram		REV: 1.0
Date: 2023-02-28	Drawn By: Szymon Bartosik		Sheet: 2/2	