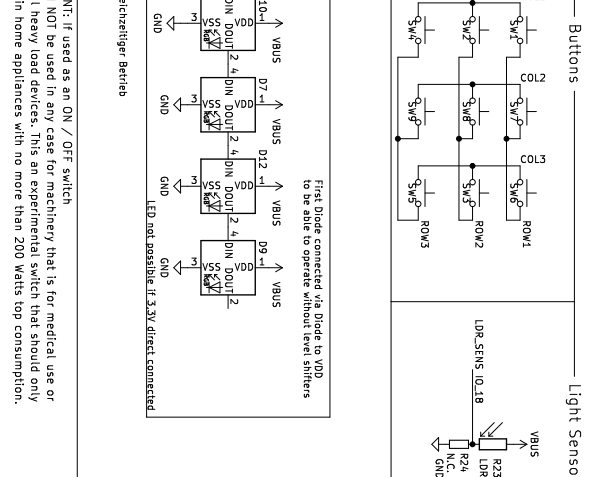
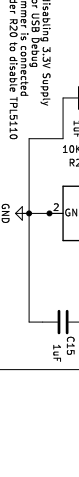
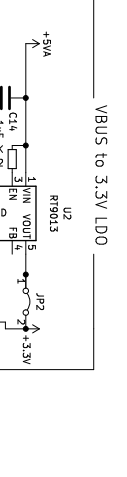
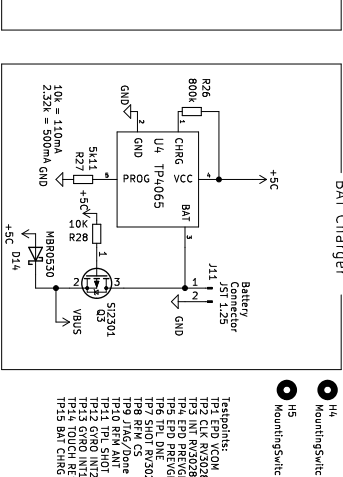
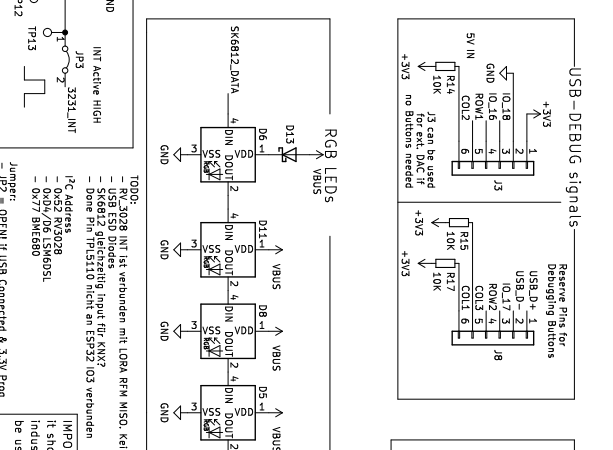
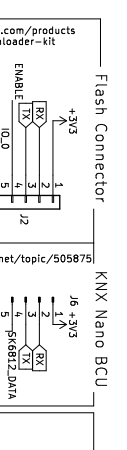
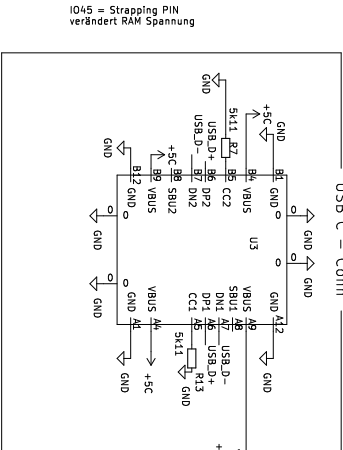
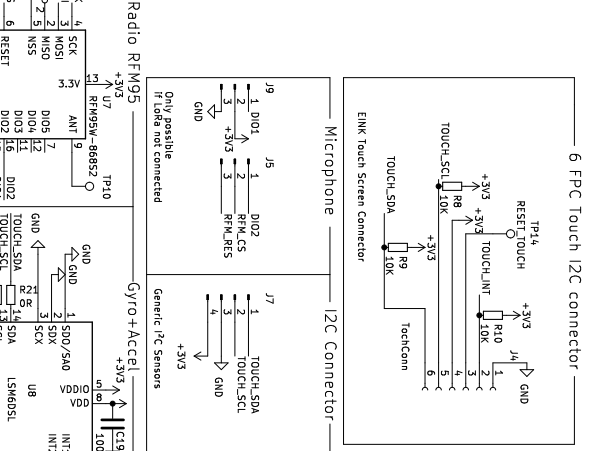
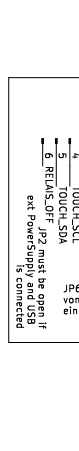
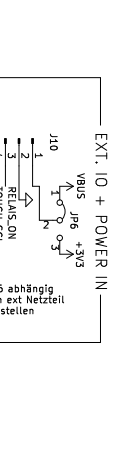
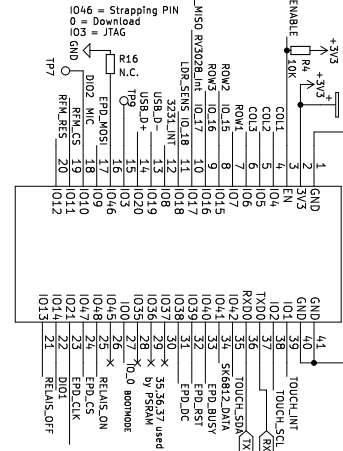
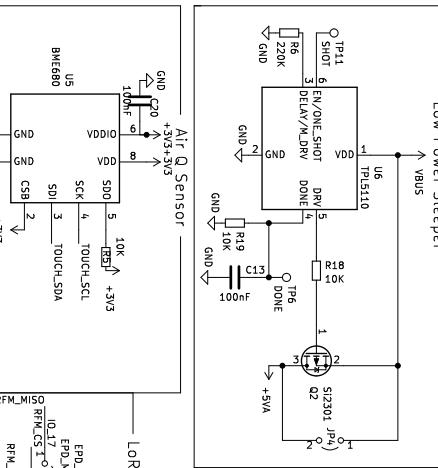
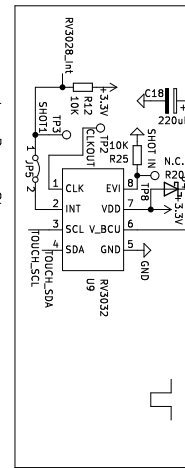
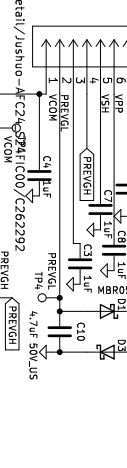
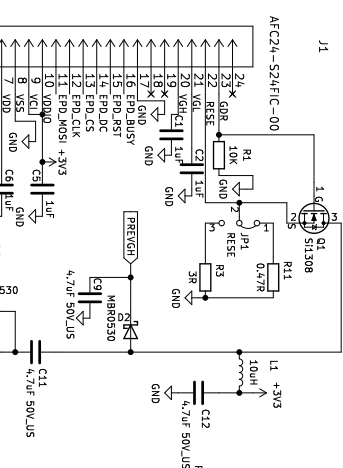


# ESP32-S3 EINK Touch & Buttons Multipurpose Board

- Mounting +/- wall switch
- H1 Mountingswitch
  - H2 Mountingswitch



100%: - R3028 N1714 verbunden mit LORA RFM MISO. Kein gleichzeitiger Betrieb  
 - SK812 gleichzeitig input für KNX?   
 - Done Pin TP15110 nicht an ESP32 IO3 verbunden  
 I2C Address: - 0x52 R3028  
 - 0x77 BME680  
 - 0x77 BME680  
 Jumper: GREN if USB Connected, & 3.3V Prog  
 - J1 = GREN, I2C Address  
 - J2 = MANS Mode / No TP15110 Mode  
 - J3 = MANS Mode / I2C Address  
 - J4 = MANS Mode / No TP15110 Mode  
 - J5 = Switch of Input Power Supply Voltage  
 - J6 = Switch of Input Power Supply Voltage  
 - J7 = Switch of Input Power Supply Voltage  
 - J8 = Switch of Input Power Supply Voltage

Sheet: **ESP32-S3 EINK controller with touch**  
 Date: 2023-03-07  
 Rev: 1.0  
 Size: A3  
 File: ESP32-S3 EINK controller with touch  
 Created: Kicad (7.10.0)  
 Ig: 1/1