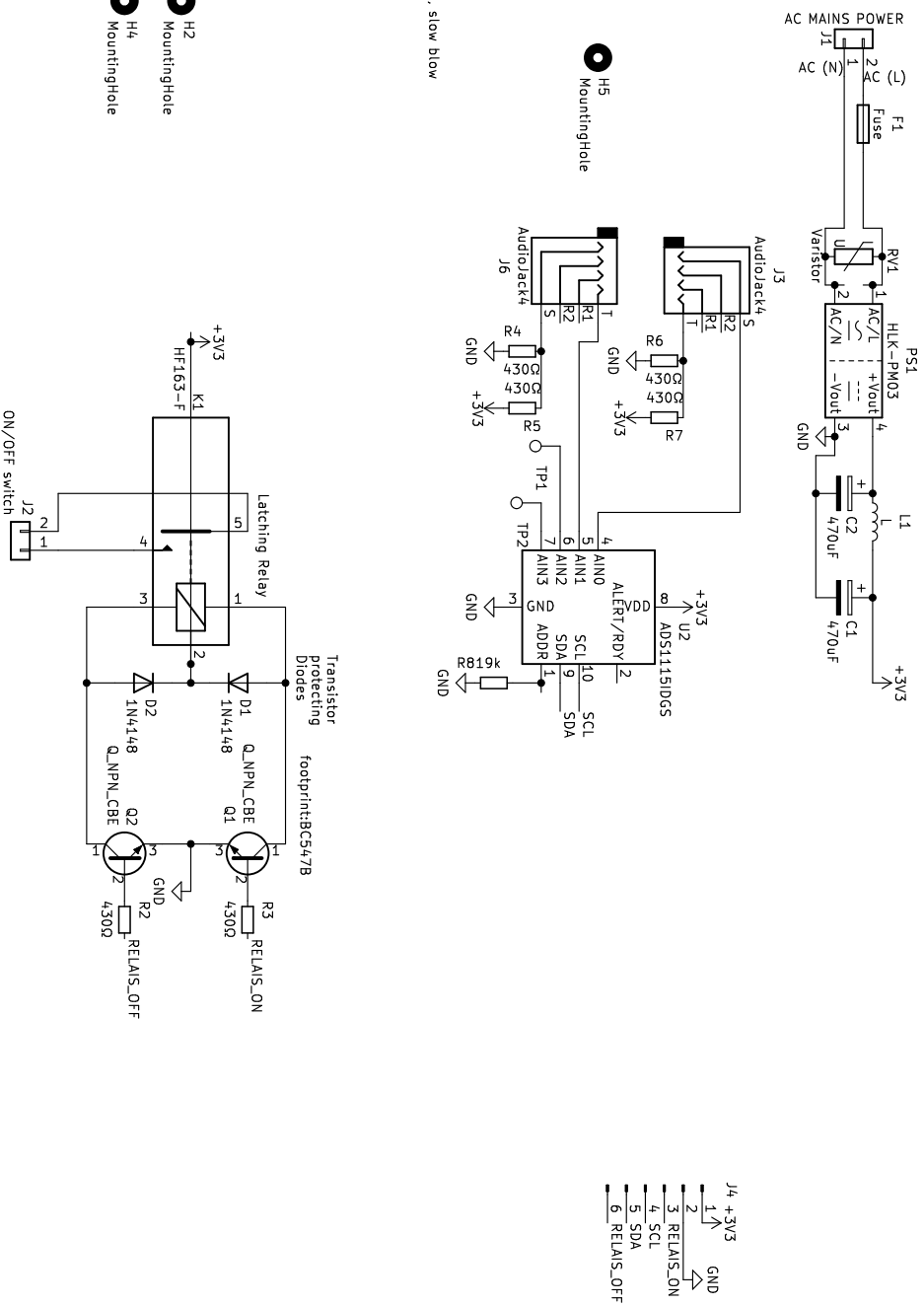
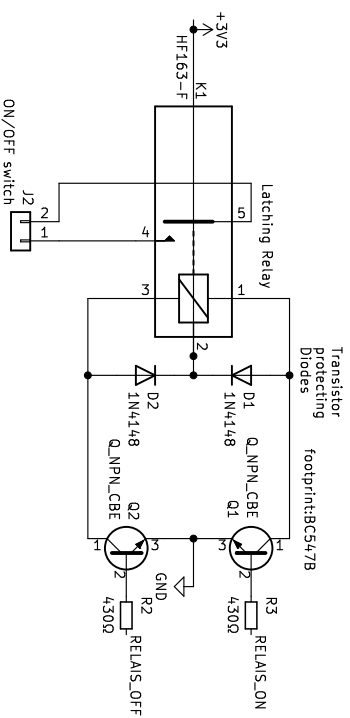


AC to 3.3V/5V DC converter



FUSE 1A/300V, slow blow

- H1 MountingHole
- H2 MountingHole
- H3 MountingHole
- H4 MountingHole



- J4 +3V3
- 1 GND
- 2 RELAIS_ON
- 4 SCL
- 5 SDA
- 6 RELAIS_OFF

This mini-PCB goal is to connect any ESP32 board without batteries directly to the AC plug

Sheet:

File: 220AC-mini-C3-board.kicad_sch

Title: 220 AC to 3.3 DC converter with Latch Relay

Size: A4 Date: 2022-11-22

KiCad E.D.A. kicad (7.0.0)

Rev: 1.1

Id: 1/1