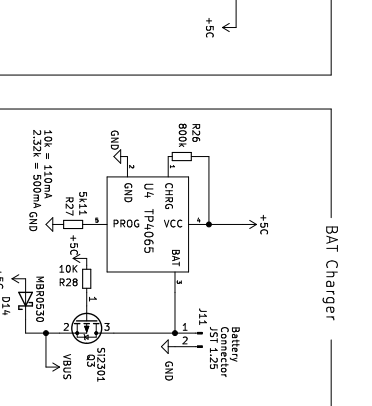
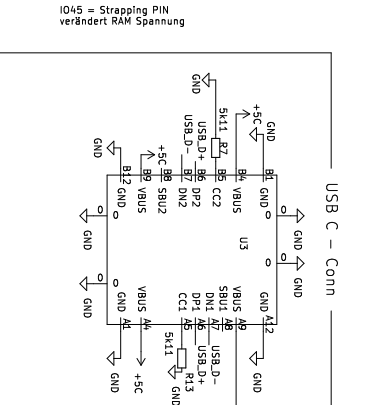
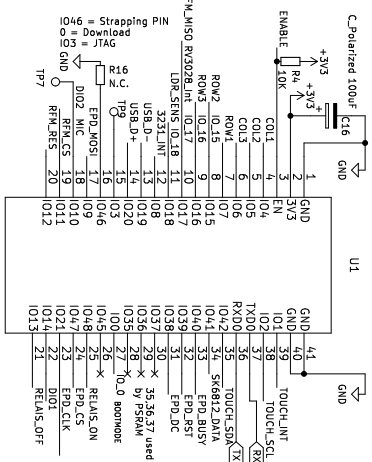
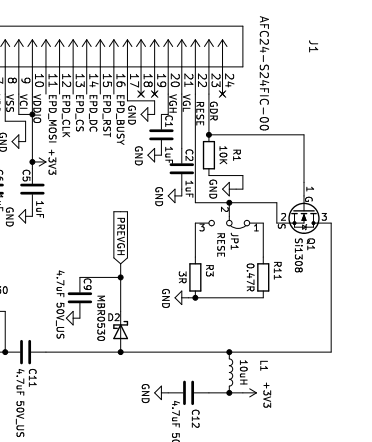
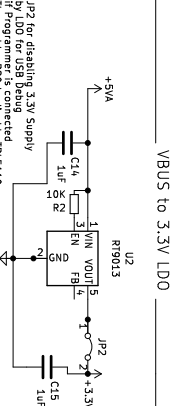
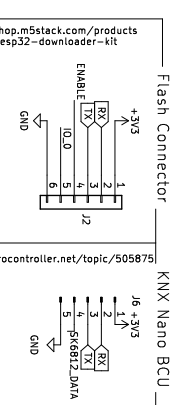
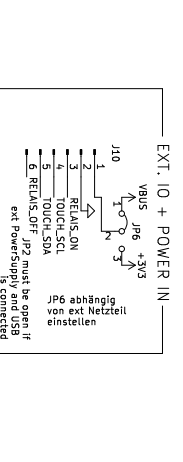
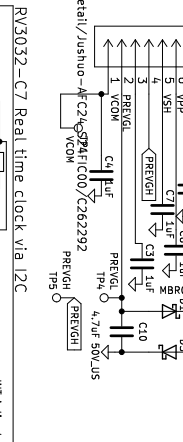


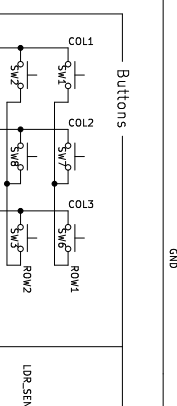
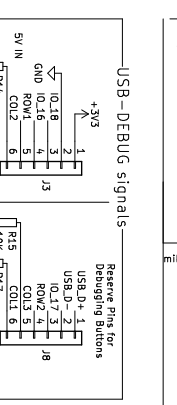
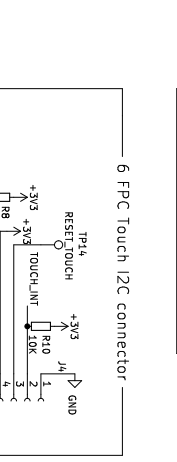
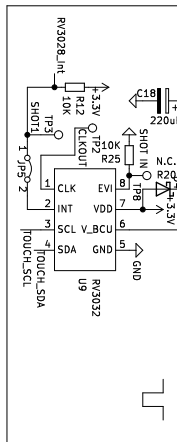
ESP32-S3 EINK Touch & Buttons Multipurpose Board



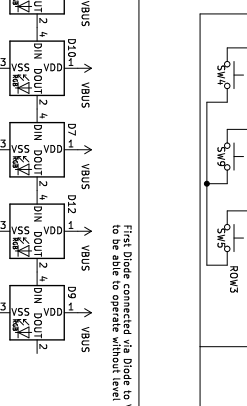
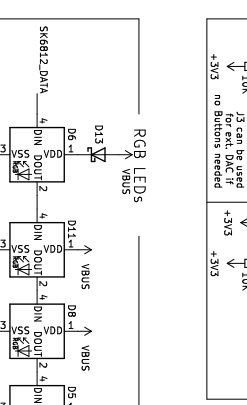
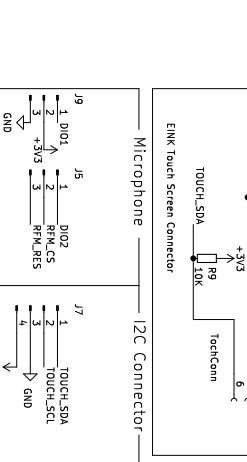
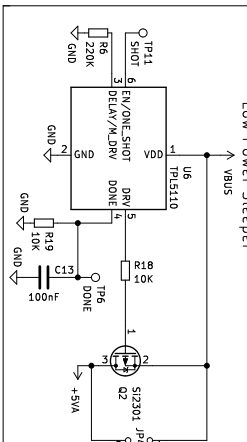
- H15 Mountingswitch
- H14 Mountingswitch
- H5 Mountingswitch



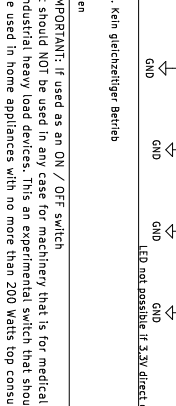
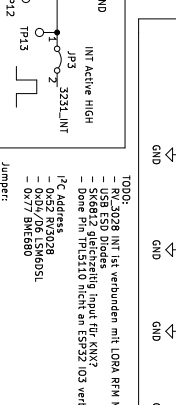
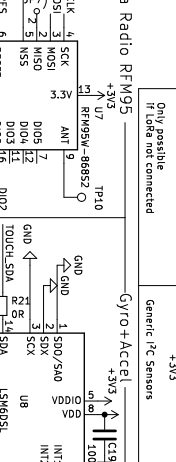
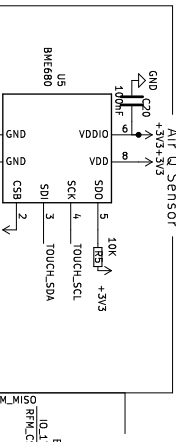
- H15 Mountingswitch
- H14 Mountingswitch
- H5 Mountingswitch



- H15 Mountingswitch
- H14 Mountingswitch
- H5 Mountingswitch



- H15 Mountingswitch
- H14 Mountingswitch
- H5 Mountingswitch



- H15 Mountingswitch
- H14 Mountingswitch
- H5 Mountingswitch

Mounting v./ wall switch

- H15 Mountingswitch
- H12 Mountingswitch

Technical:

- TP1: EPD WCOM
- TP2: CLK RY3032
- TP3: INT RY3032
- TP4: EPD PREVGH
- TP5: EPD PREVGH
- TP6: SHOT RY3032
- TP7: SHOT RY3032
- TP8: RFRM_CS
- TP9: RFRM_DONE
- TP10: RFRM_CS
- TP11: PR_SHOT
- TP12: GYRO_INT
- TP13: GYRO_INT
- TP14: TOUCH_RES
- TP15: BAT_CHRG

Important: If used as an ON / OFF switch it should NOT be used in any case for machinery that is for medical use or industrial heavy load devices. This an experimental switch that should only be used in home appliances with no more than 200 Watts top consumption.

Sheet: 53-27-encoder-touch&led&sch

File: **ESP32-S3 EINK controller with touch**

Size: A3 Date: 2023-03-07

Rev: 1.0

Kit: 1/1