

CPU



File: CPU.kicad\_sch

INT-ADD



File: INT-ADD.kicad\_sch

DRAM-EPROM

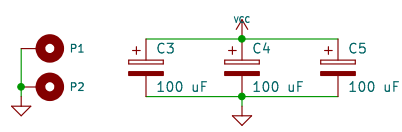
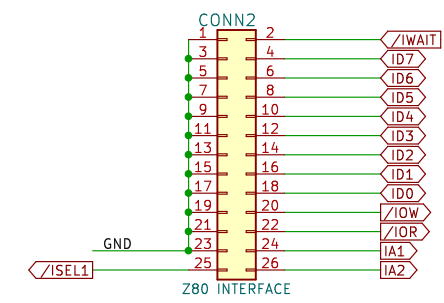
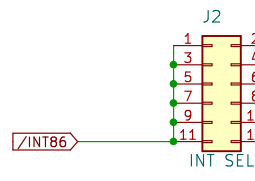
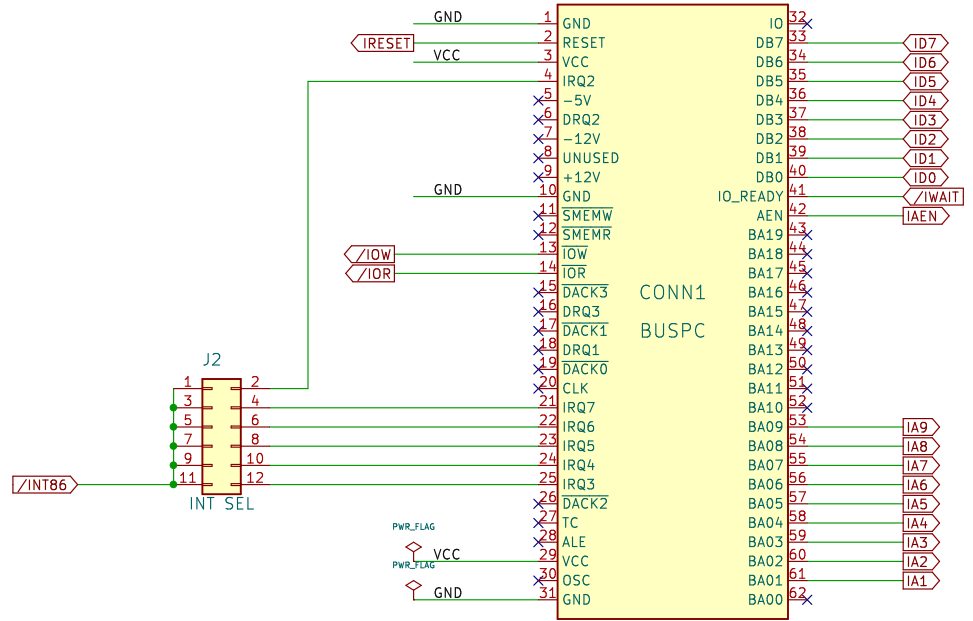


File: DRAM-EPROM.kicad\_sch

DRAM-CON



File: DRAM-CON.kicad\_sch



Sheet: /	
File: PD32.kicad_sch	
<b>Title:</b>	
Size: A	Date:
KiCad E.D.A. kicad (6.0.11)	
<b>Rev:</b>	
Id: 1/5	

