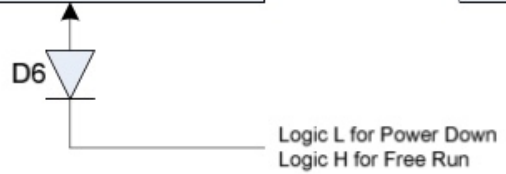
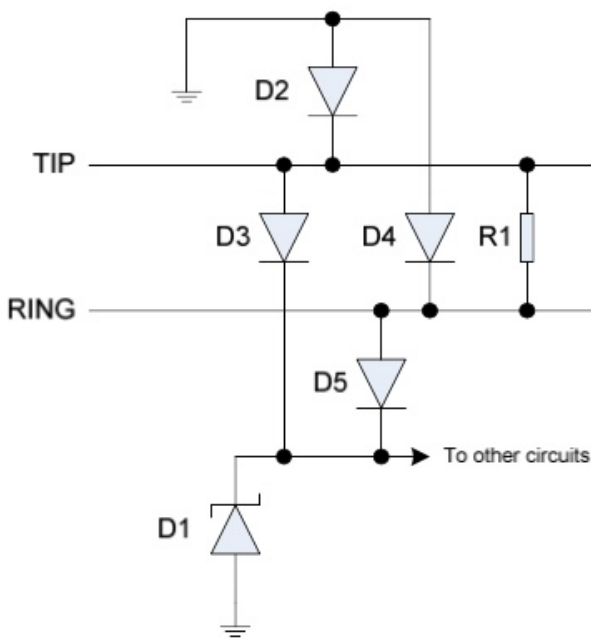
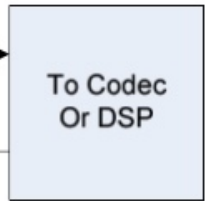
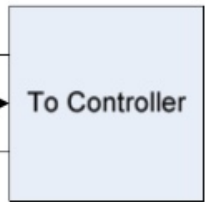
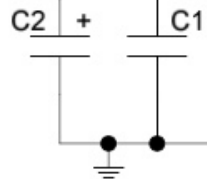


+3.3V to +5.0V Supply



Logic L for Power Down
Logic H for Free Run