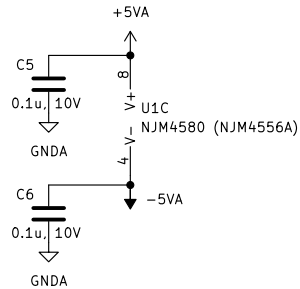
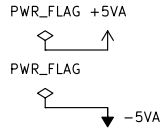
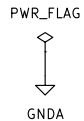
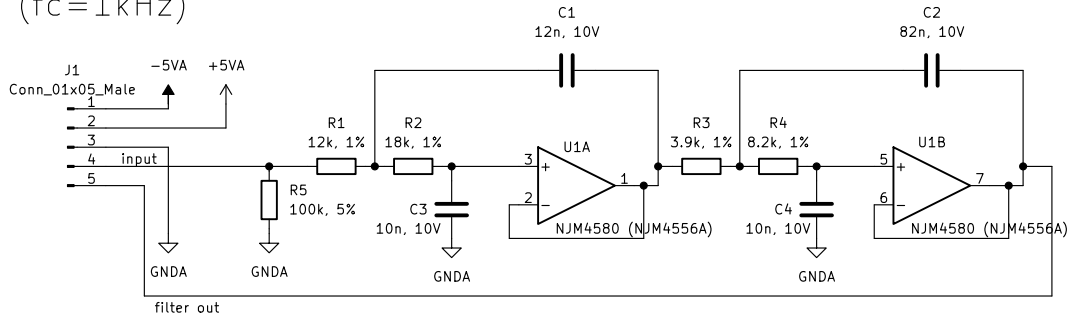


# LPF ( $f_c = 1\text{kHz}$ )



Sheet: /  
File: LPF module.kicad\_sch

**Title:**

Size: A5      Date:  
KiCad E.D.A.      kicad (6.0.1)

**Rev:**  
Id: 1/1