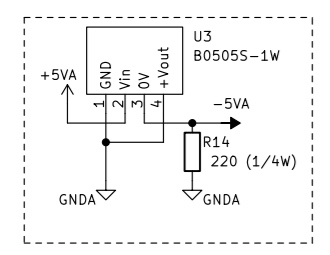
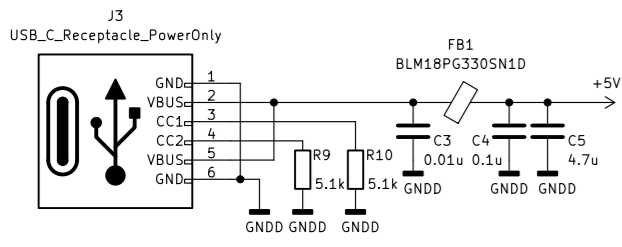
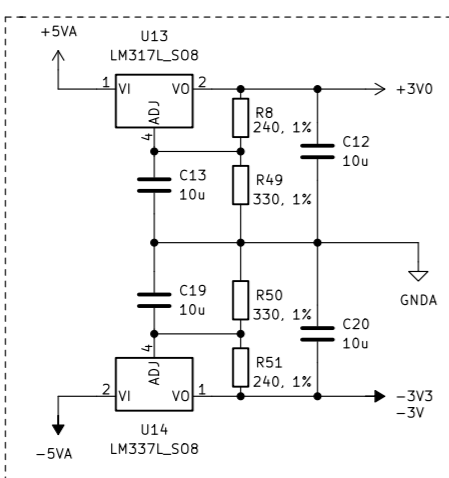


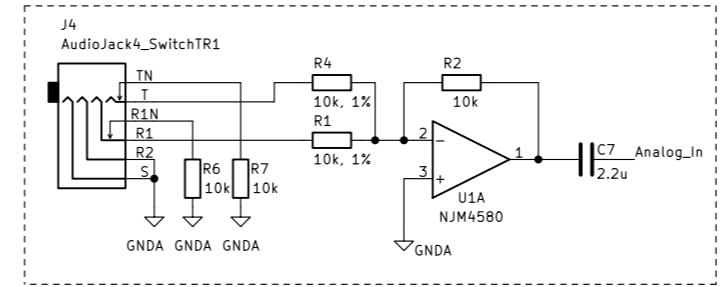
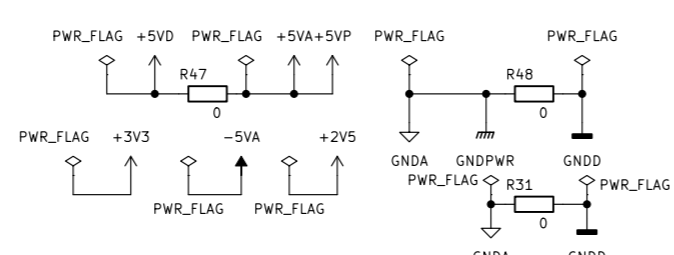
USB Type C Connector



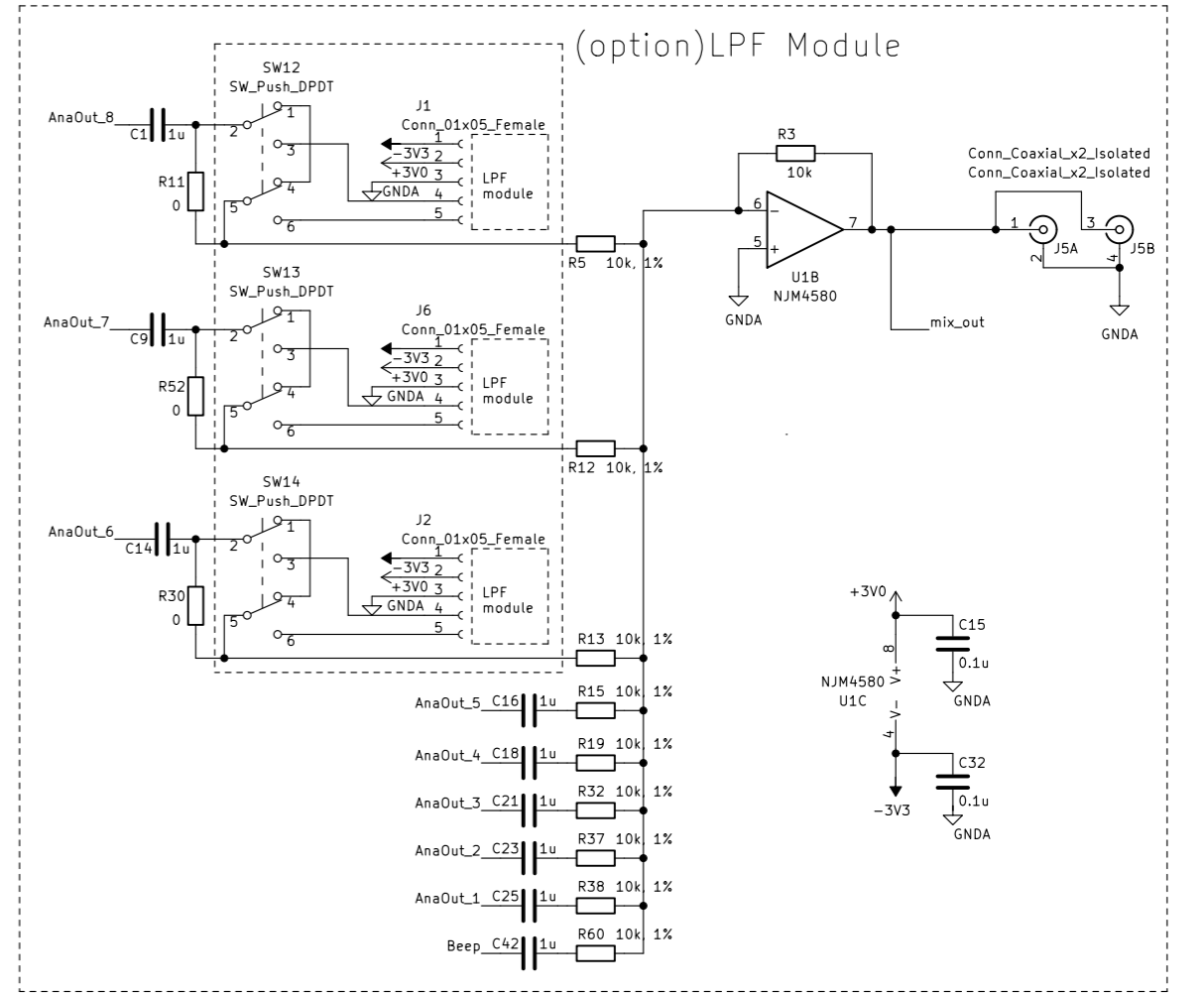
DCDC for -5VA



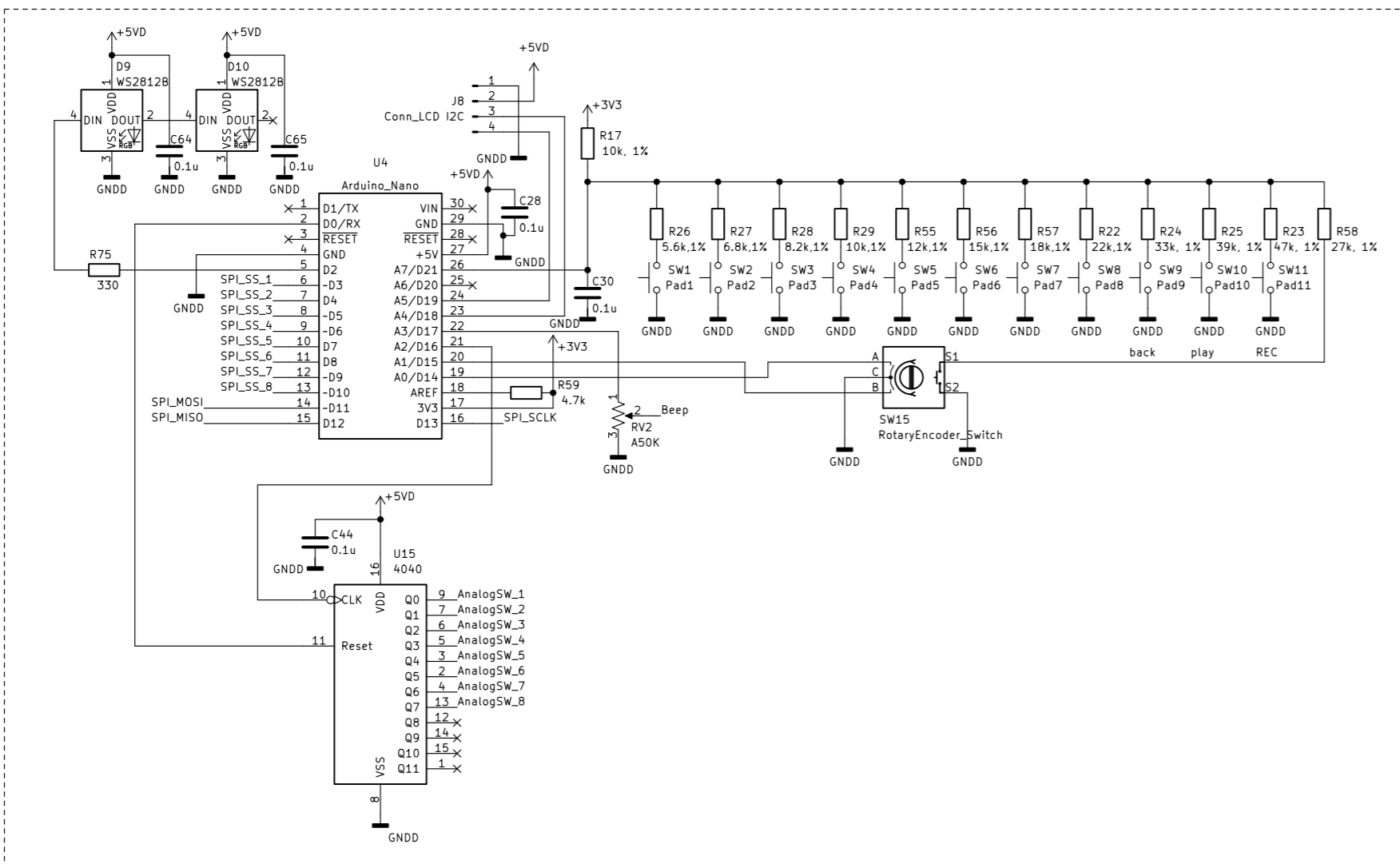
+ -3V for OPAMP circuit



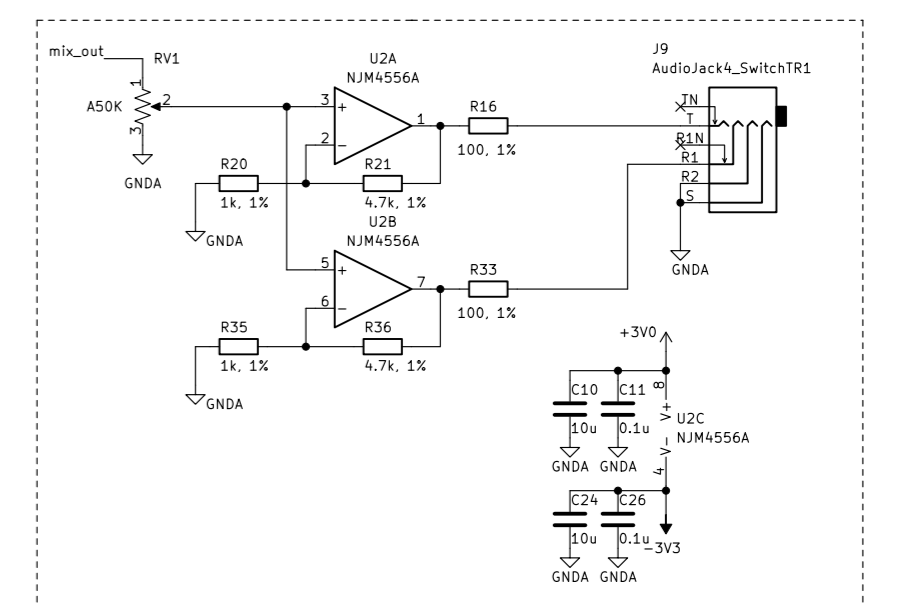
Line In / Mono Mixing



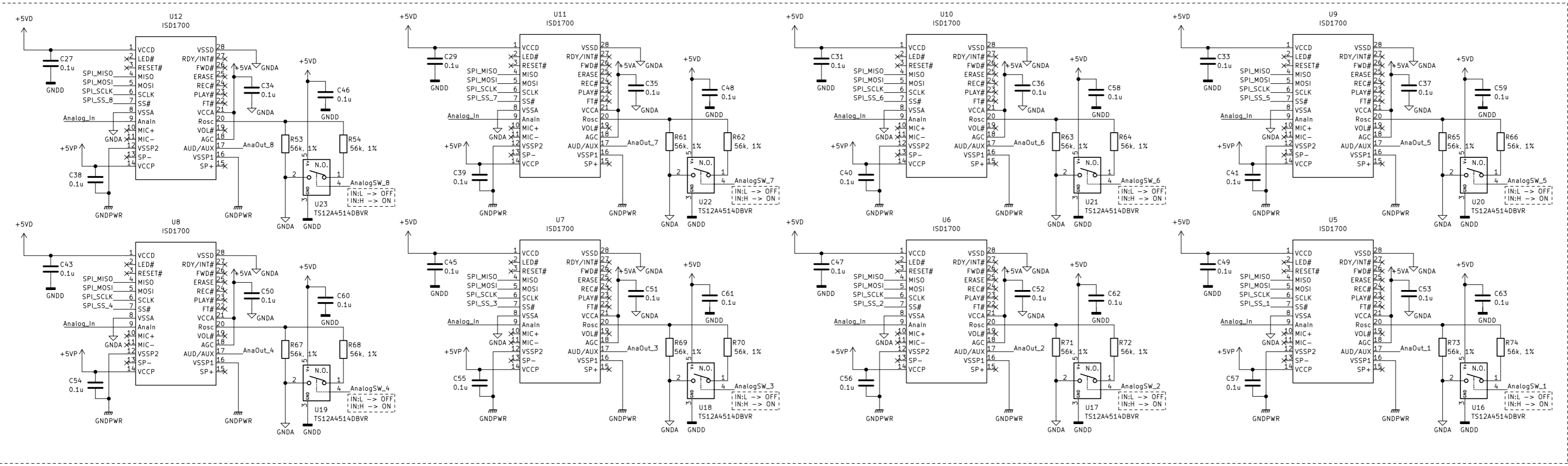
8ch Mixing / Line Out



Arduino / User IF



Headphone Out



ISD1700 Voice Recorder Chips

- H1 MountingHole
- H2 MountingHole
- H3 MountingHole
- H4 MountingHole