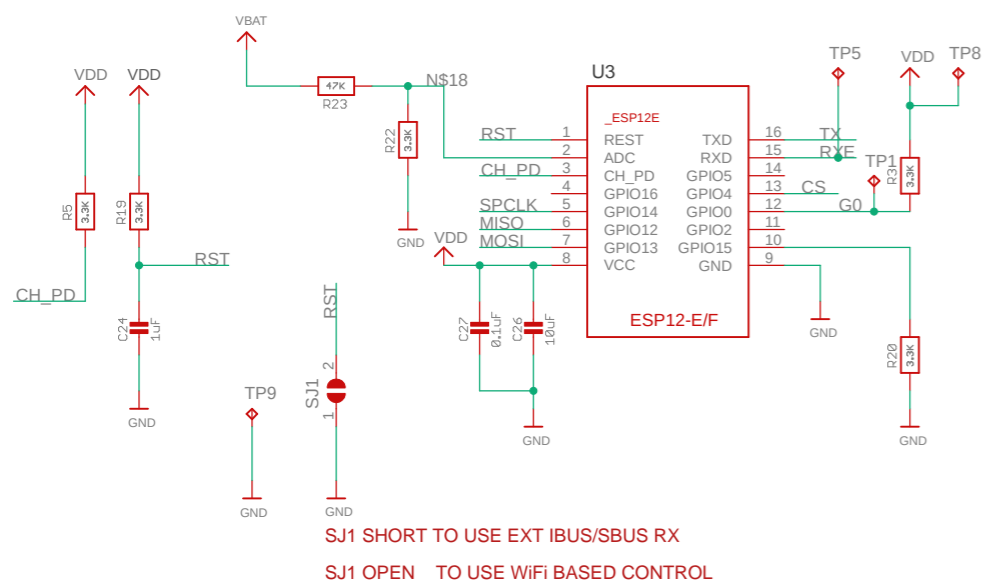
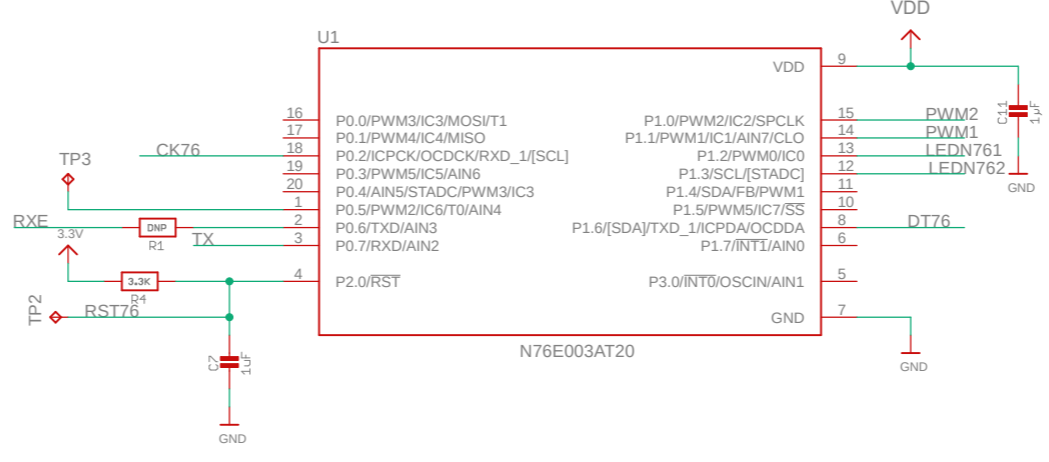


### ESP12-E/F (ESP8266) WiFi SECTION

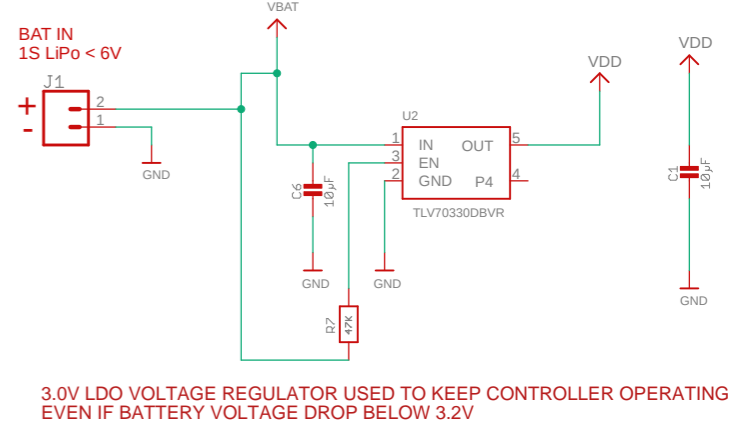


SJ1 SHORT TO USE EXT IBUS/SBUS RX  
 SJ1 OPEN TO USE WIFI BASED CONTROL

### N76E003 SLAVE uC SECTION

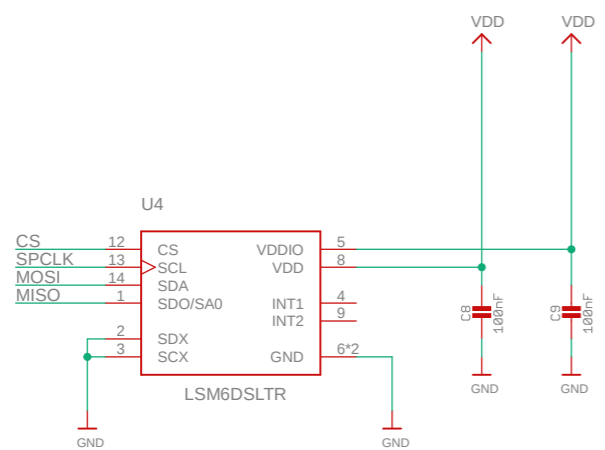


### POWER AND FILTERING

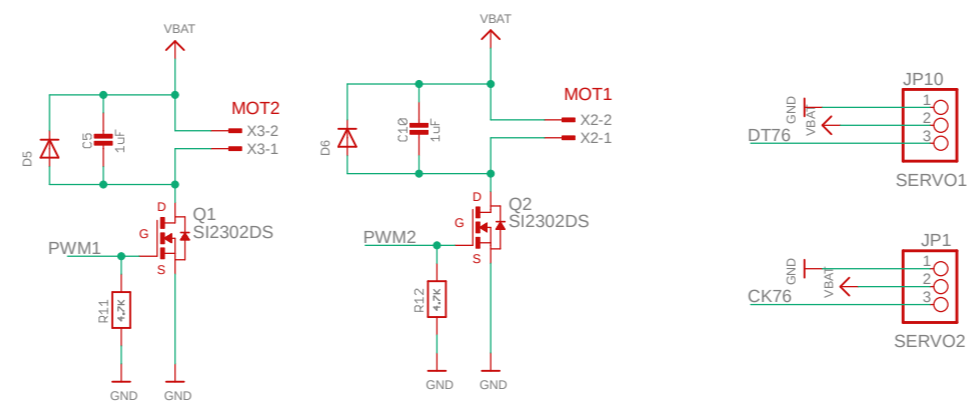


3.0V LDO VOLTAGE REGULATOR USED TO KEEP CONTROLLER OPERATING EVEN IF BATTERY VOLTAGE DROP BELOW 3.2V

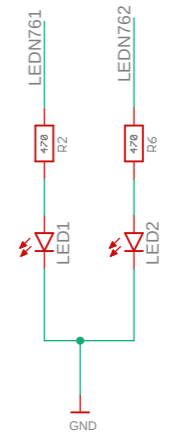
### LSM6DS 6-AXIS IMU SECTION



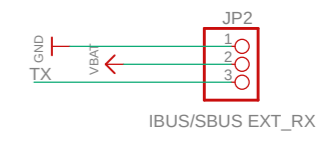
### MOTOR DRIVERS AND SERVO CONNECTORS



### USER LEDs



### IBUS/SBUS EXTERNAL RX



HACKADAY PRIZE 2023 ENTRY (Re-engineering Education) BY RAVI BUTANI ravi.butani03@gmail.com	
TITLE: VIMANA CONTROLLER BOARD - OSHW	
Document Number: 10/04/2023	REV: 2
Date: 10/04/2023	Sheet: 1/1