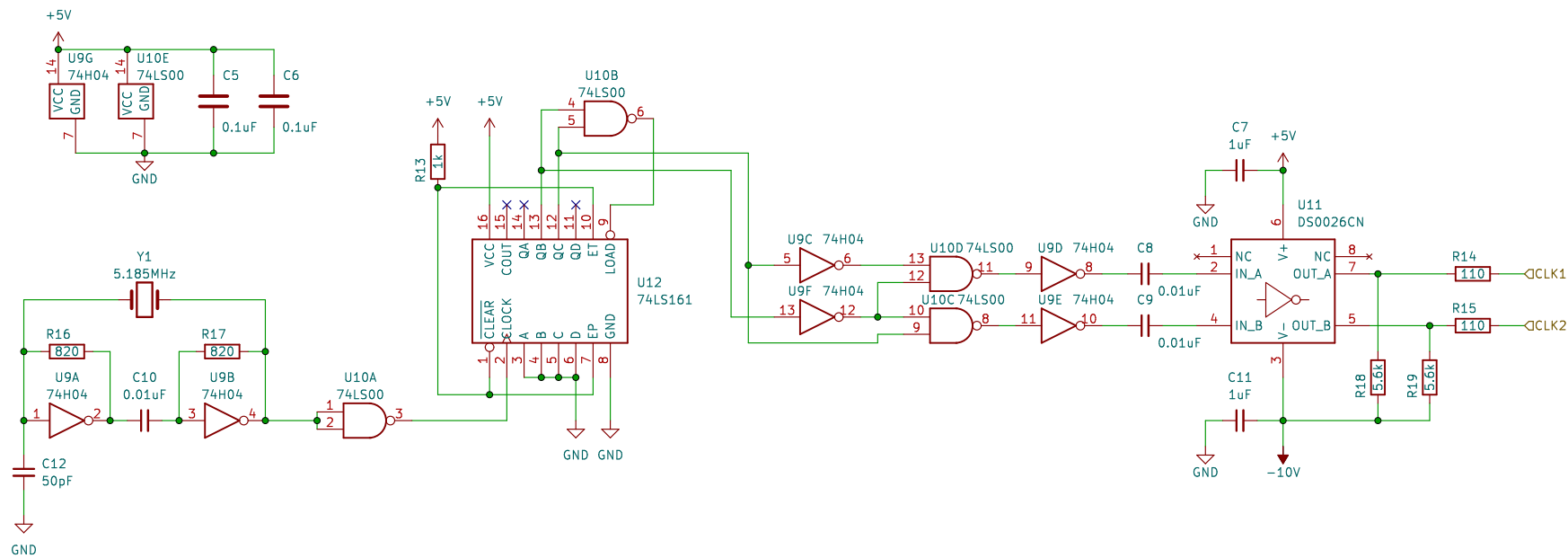


The second version for making PCB	
MukaiLab	
Sheet:	
File: test4004.kicad_sch	
Title: MSC-4 test board (test4004)	
Size: A4	Date: 2023-04-05
KiCad E.D.A. kicad 7.0.1	Rev: 2.1
	Id: 1/4



This circuit diagram for clock generator is based on "MCS4 KIT A Brochre Aug.74" 74LS161 is 9816 in the original diagram. 74H04 may be substituted for S04 or LS04.

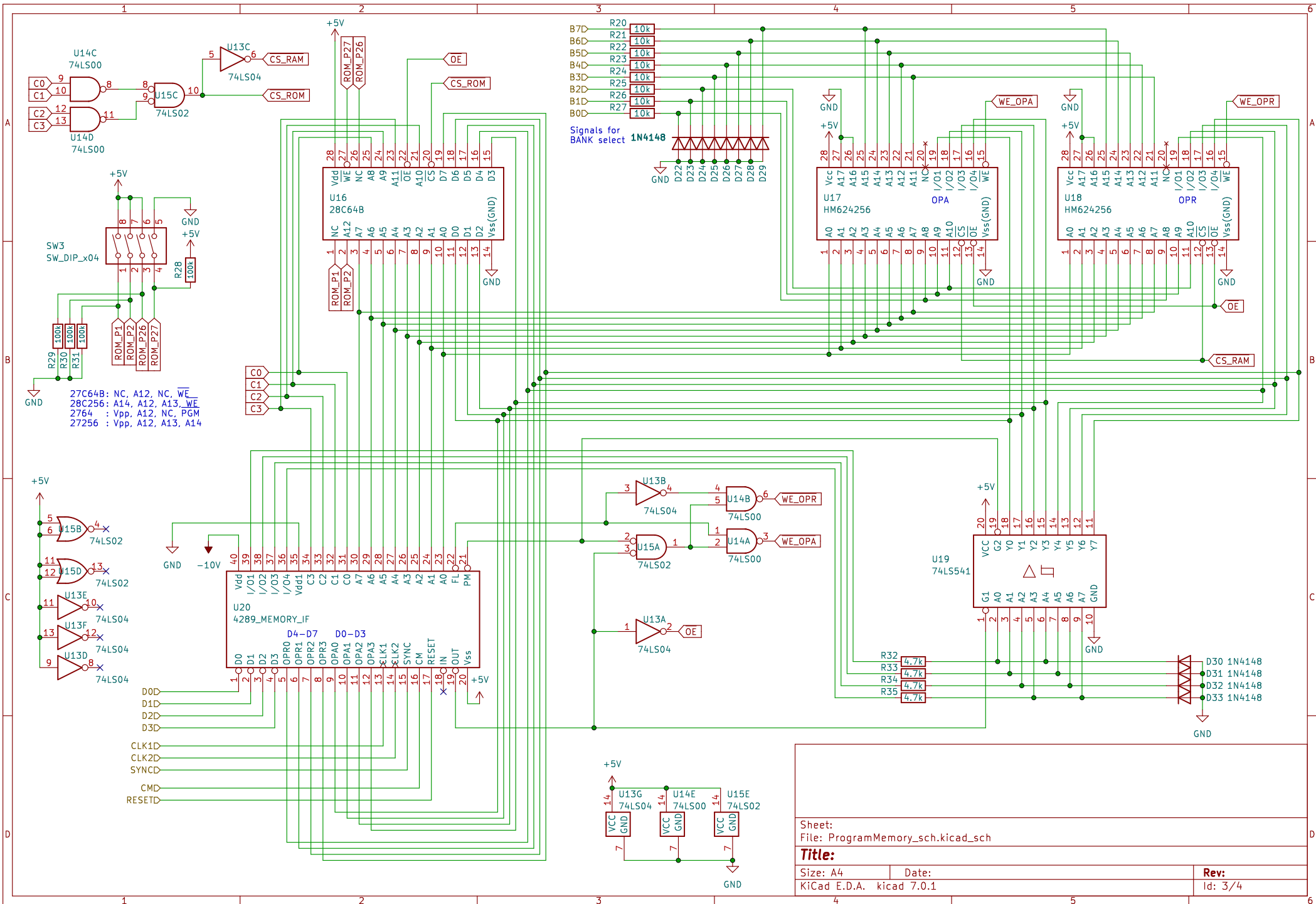
Sheet:
File: ClockGen.kicad_sch

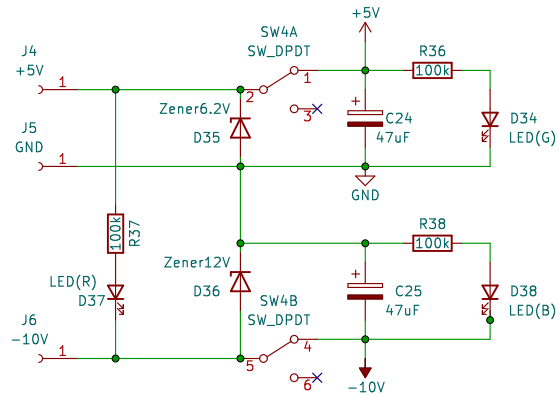
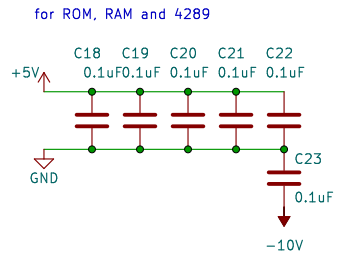
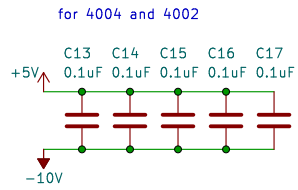
Title:

Size: A4
KiCad E.D.A. kicad 7.0.1

Date:

Rev:
Id: 2/4





Sheet:	
File: misc.kicad_sch	
Title:	
Size: A4	Date:
KiCad E.D.A. kicad 7.0.1	Rev: Id: 4/4