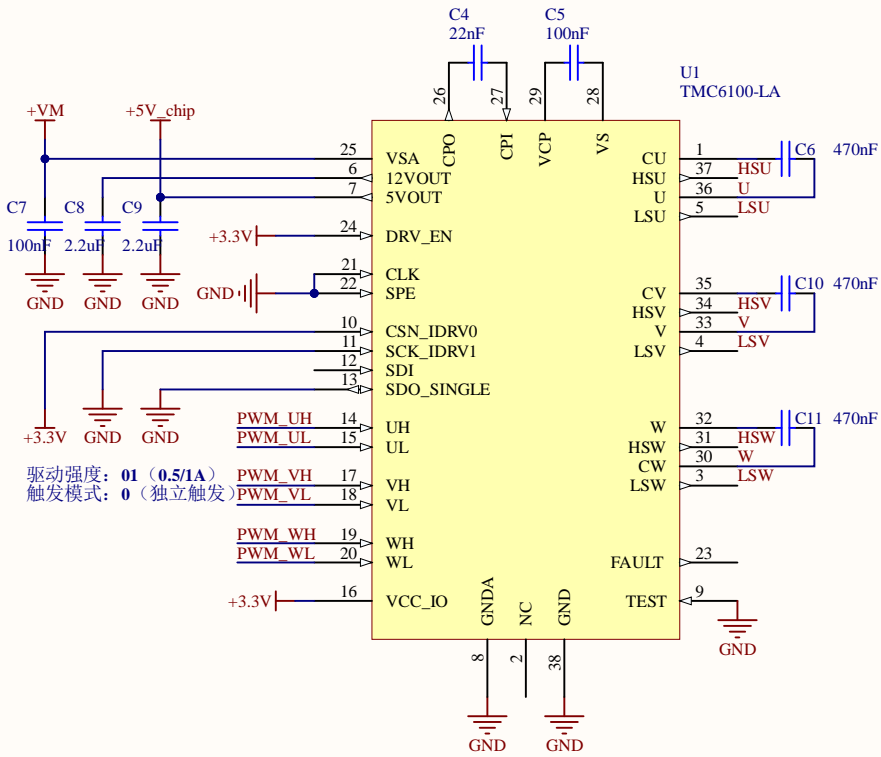
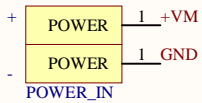
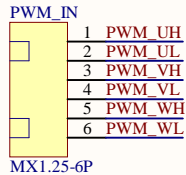
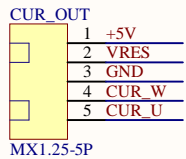
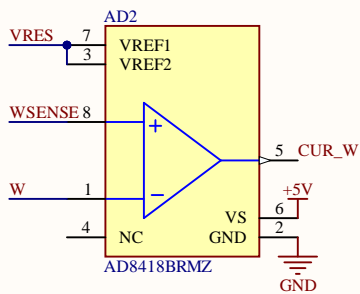
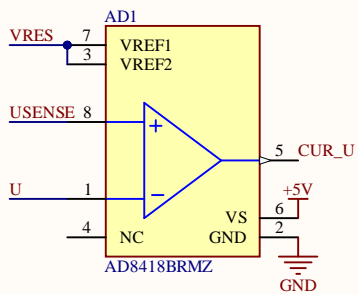


A

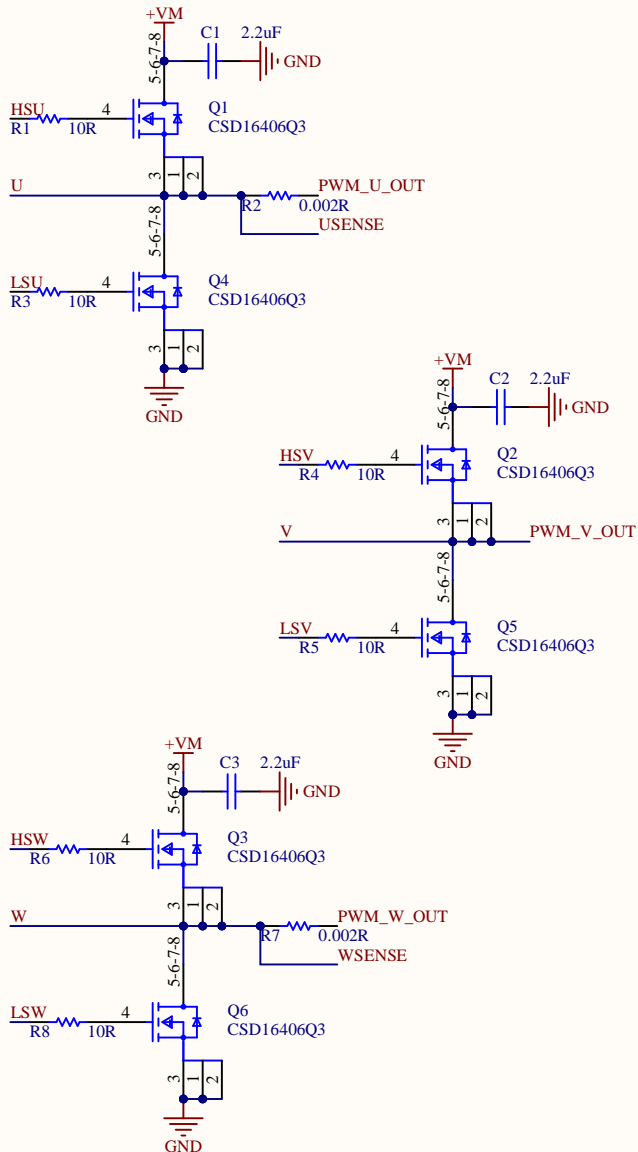
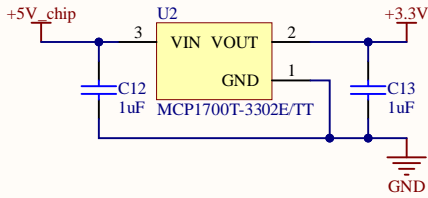


注: U相和W相电流检测输出顺序调换

HSx与LSx转换频率为?



5V转3.3V



Title		
Size	Number	Revision
A4		
Date:	8/07/2023	Sheet of
File:	F:\工程图\...\Sheet1.SchDoc	Drawn By:

A

B

C

D

