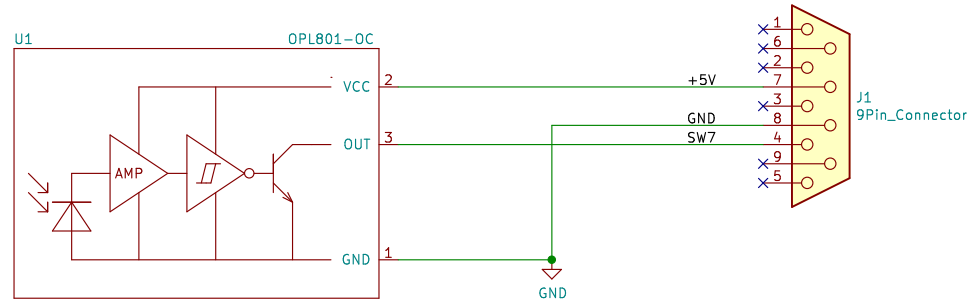


# Vectrex LightPen 801 (VLP801)

Vectrex lightpen using OPL801-OC integrated sensor



OPL801-OC (TT Electronics, UK) is a sensor consists of a photodiode, a linear amplifier and a Schmitt trigger on a single silicon chip. The output is TTL compatible logic level, inverted and open collector. It is available from DigiKey or Mouser.

Designed by Ryo Mukai, Inspired by MVLP

Vectrex lightpen using OPL801-OC integrated sensor  
Design by Ryo Mukai  
Inspired by MVLP

Sheet: /  
File: LightPen801.sch

**Title: Vectrex LightPen 801 (VLP801)**

Size: A4 Date: 2020-07-30

KiCad E.D.A. kicad (5.1.5)-3

**Rev: 1.0**

Id: 1/1