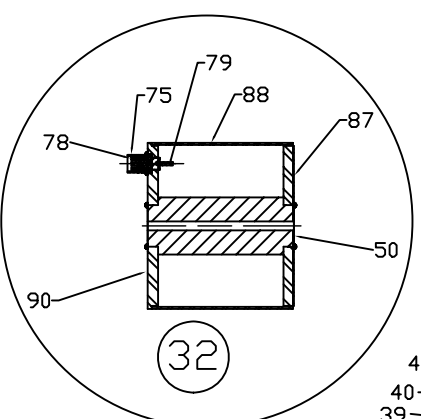
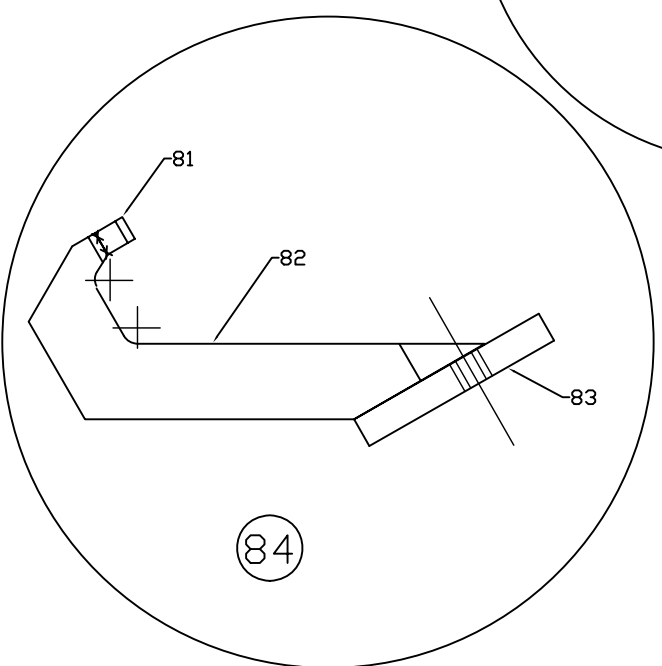
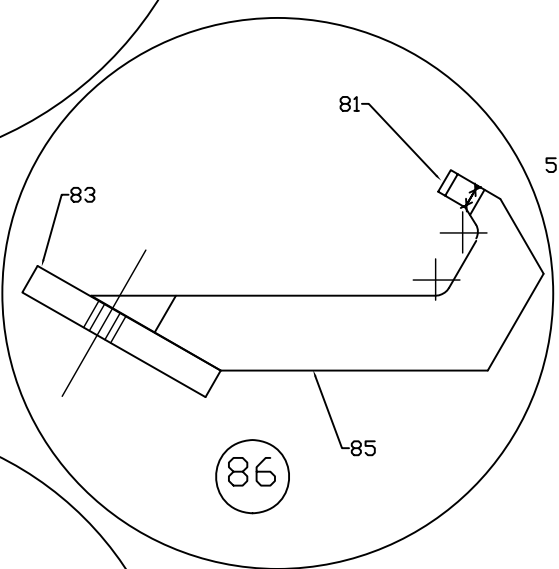
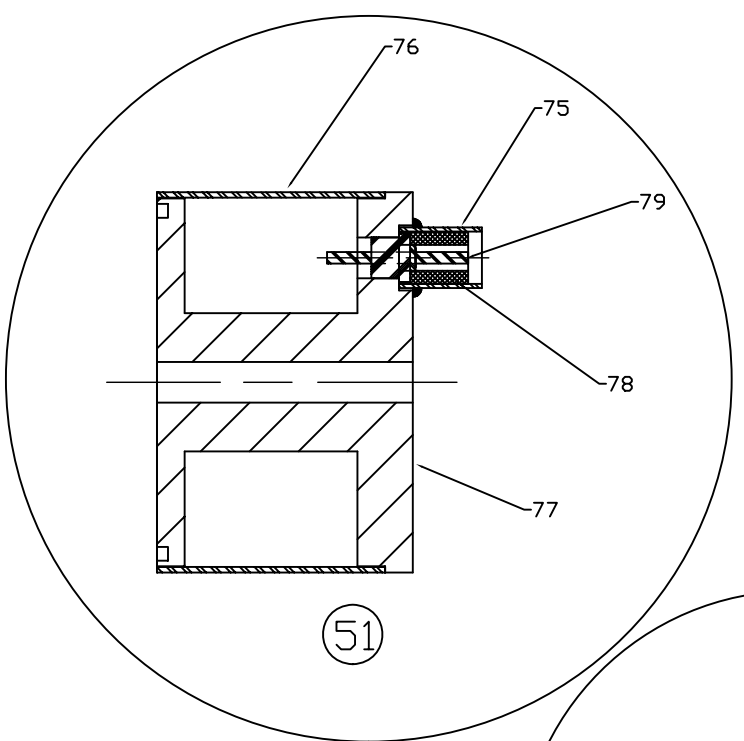
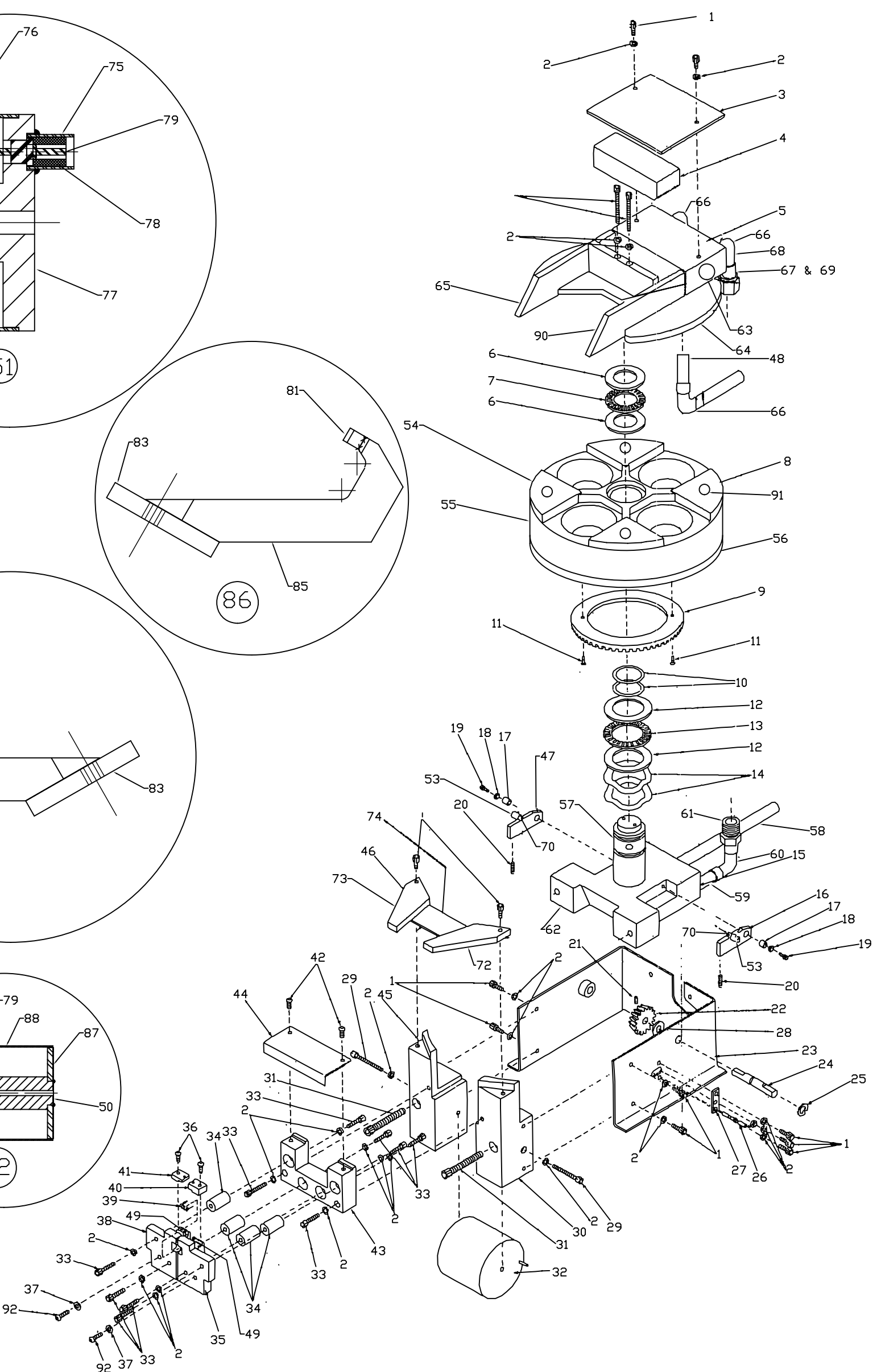
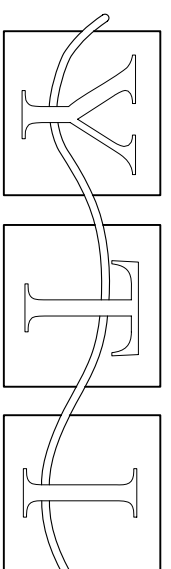


REV.	DATE	REVISION	DESCRIPTION	DR'N. BY



CODE IDENT. NO.	OG4TD	TITLE	Sloan 4 pocket 270 deg. BOM
CHECKED BY:		DATE:	03/21/13
CHECKED BY:		SCALE:	Do not scale
APPROVED BY:		DRAWN BY:	BAS



Thin Film Products and Services

YTTI

CUSTOMER

140 NDTT HIGHWAY  
ASHFORD, CT. 06278

TOLERANCES UNLESS OTHERWISE SPECIFIED:  
DECIMAL .XXX ±.005  
FRACTIONS 1/64" ±.01

41008-000

SHEET REV.