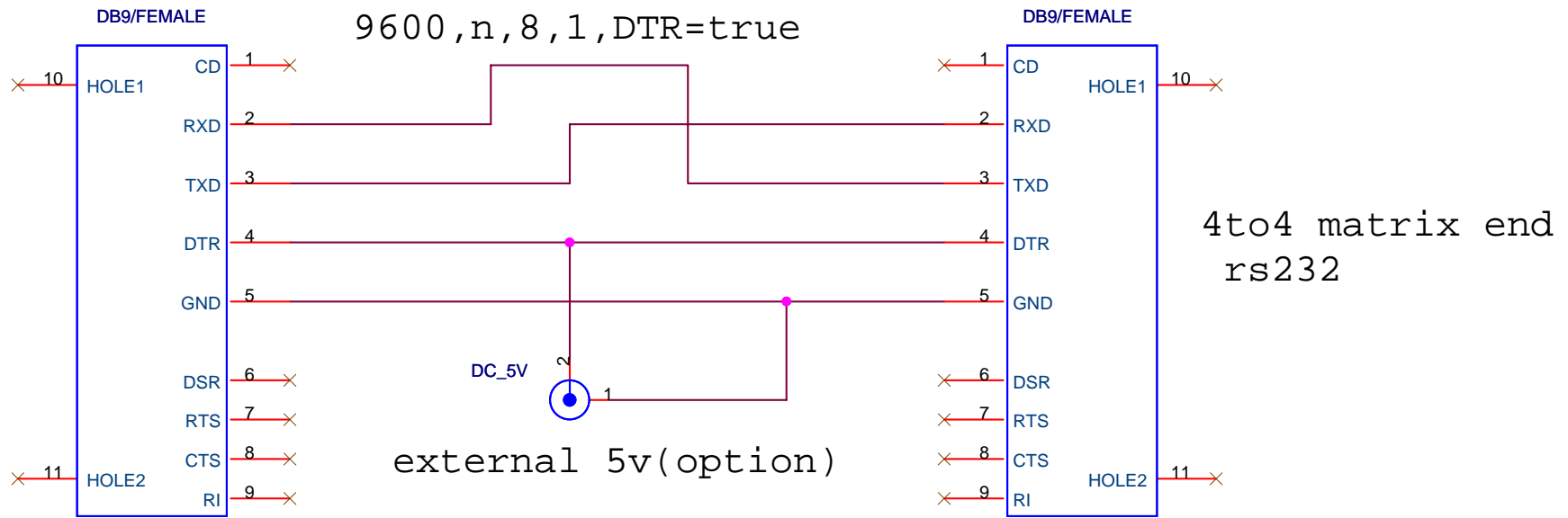


pc end
rs232



every byte of pc sending must has delaying 50ms

FROM	MSB	LSB	TO
pc-->	0x00,0xff,0xd5,0x7b-->	matrix-->	tv a select input1
pc-->	0x01,0xfe,0xd5,0x7b-->	matrix-->	tv a select input2
pc-->	0x02,0xfd,0xd5,0x7b-->	matrix-->	tv a select input3
pc-->	0x03,0xfc,0xd5,0x7b-->	matrix-->	tv a select input4
pc-->	0x04,0xfb,0xd5,0x7b-->	matrix-->	tv b select input1
pc-->	0x05,0xfa,0xd5,0x7b-->	matrix-->	tv b select input2
pc-->	0x06,0xf9,0xd5,0x7b-->	matrix-->	tv b select input3
pc-->	0x07,0xf8,0xd5,0x7b-->	matrix-->	tv b select input4
pc-->	0x08,0xf7,0xd5,0x7b-->	matrix-->	tv c select input1
pc-->	0x09,0xf6,0xd5,0x7b-->	matrix-->	tv c select input2
pc-->	0x0a,0xf5,0xd5,0x7b-->	matrix-->	tv c select input3
pc-->	0x0b,0xf4,0xd5,0x7b-->	matrix-->	tv c select input4
pc-->	0x0c,0xf3,0xd5,0x7b-->	matrix-->	tv d select input1
pc-->	0x0d,0xf2,0xd5,0x7b-->	matrix-->	tv d select input2
pc-->	0x0e,0xf1,0xd5,0x7b-->	matrix-->	tv d select input3
pc-->	0x0f,0xf0,0xd5,0x7b-->	matrix-->	tv d select input4
pc-->	0x10,0xef,0xd5,0x7b-->	matrix-->	power cycle