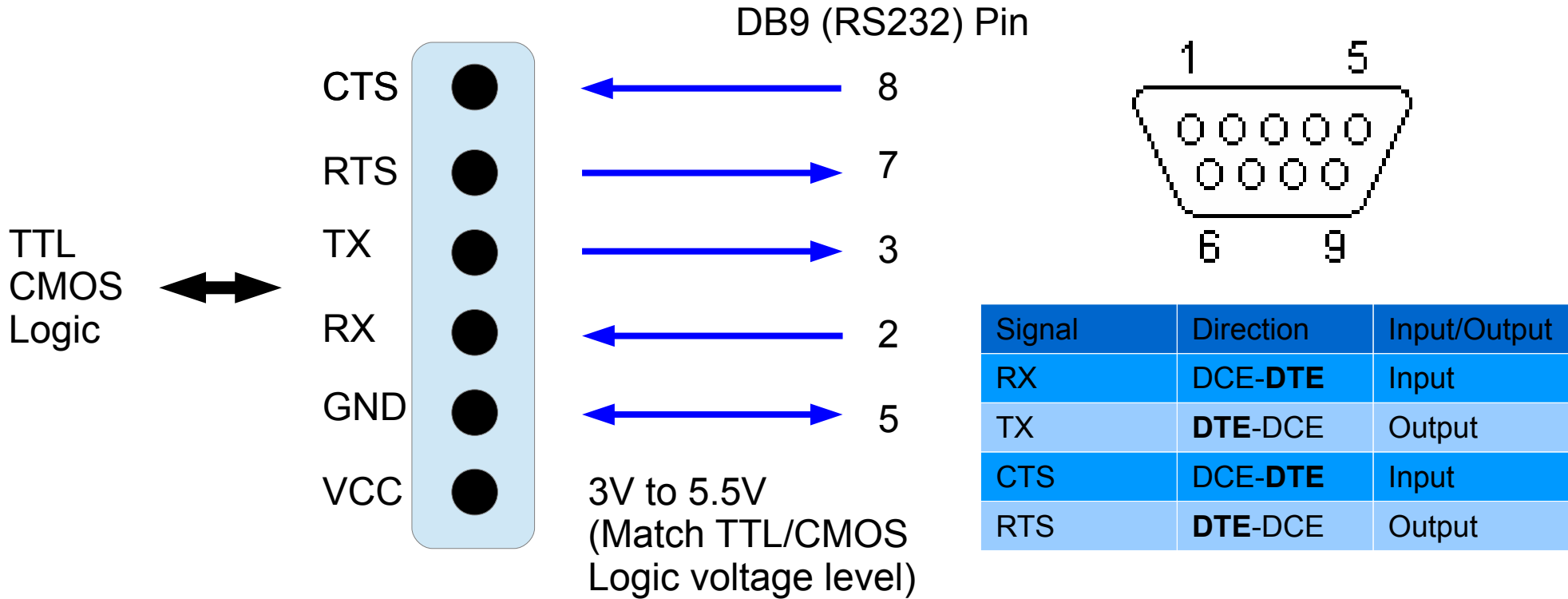


RS232 to TTL converter board DTE with Male DB9

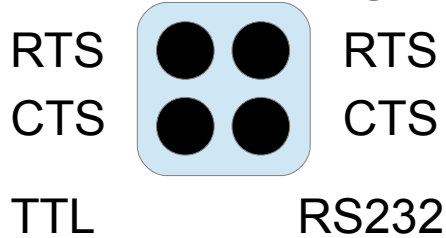
3.3V to 5V logic level / 250kbps (KIT-0101)

Connection Diagram

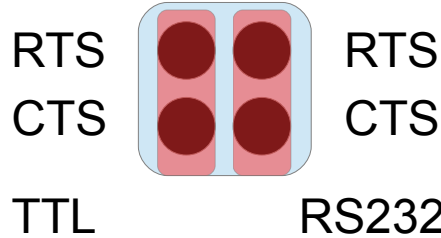


RTS / CTS routing options

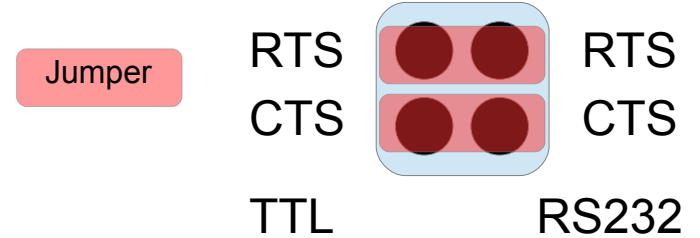
No RTS / CTS signals



RTS / CTS loopback



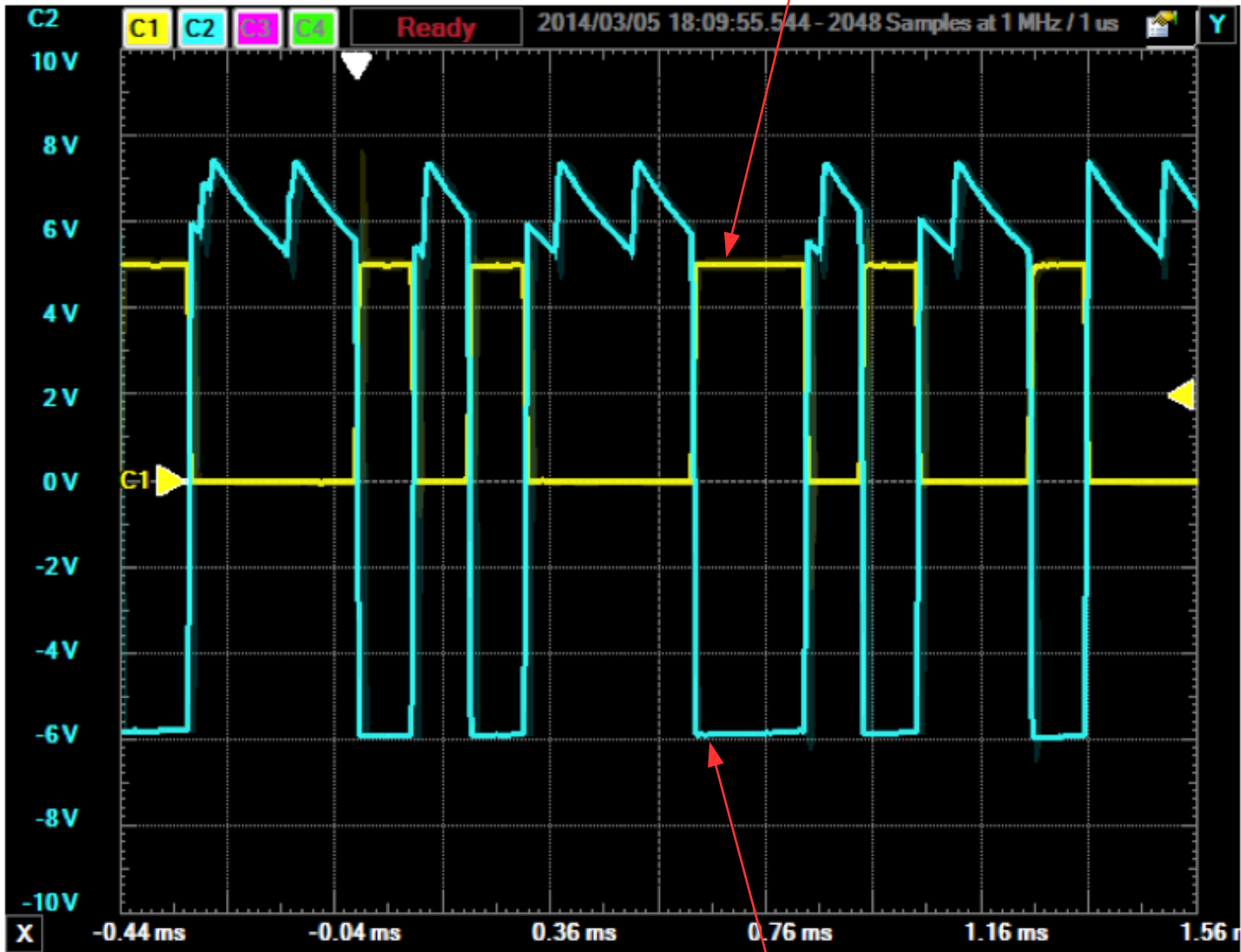
RTS / CTS HW handshake



RS232 to TTL converter board DTE with Male DB9

3.3V to 5V logic level / 250kbps

9600 bps TX signal on TTL-CMOS logic side (VCC = 5V)

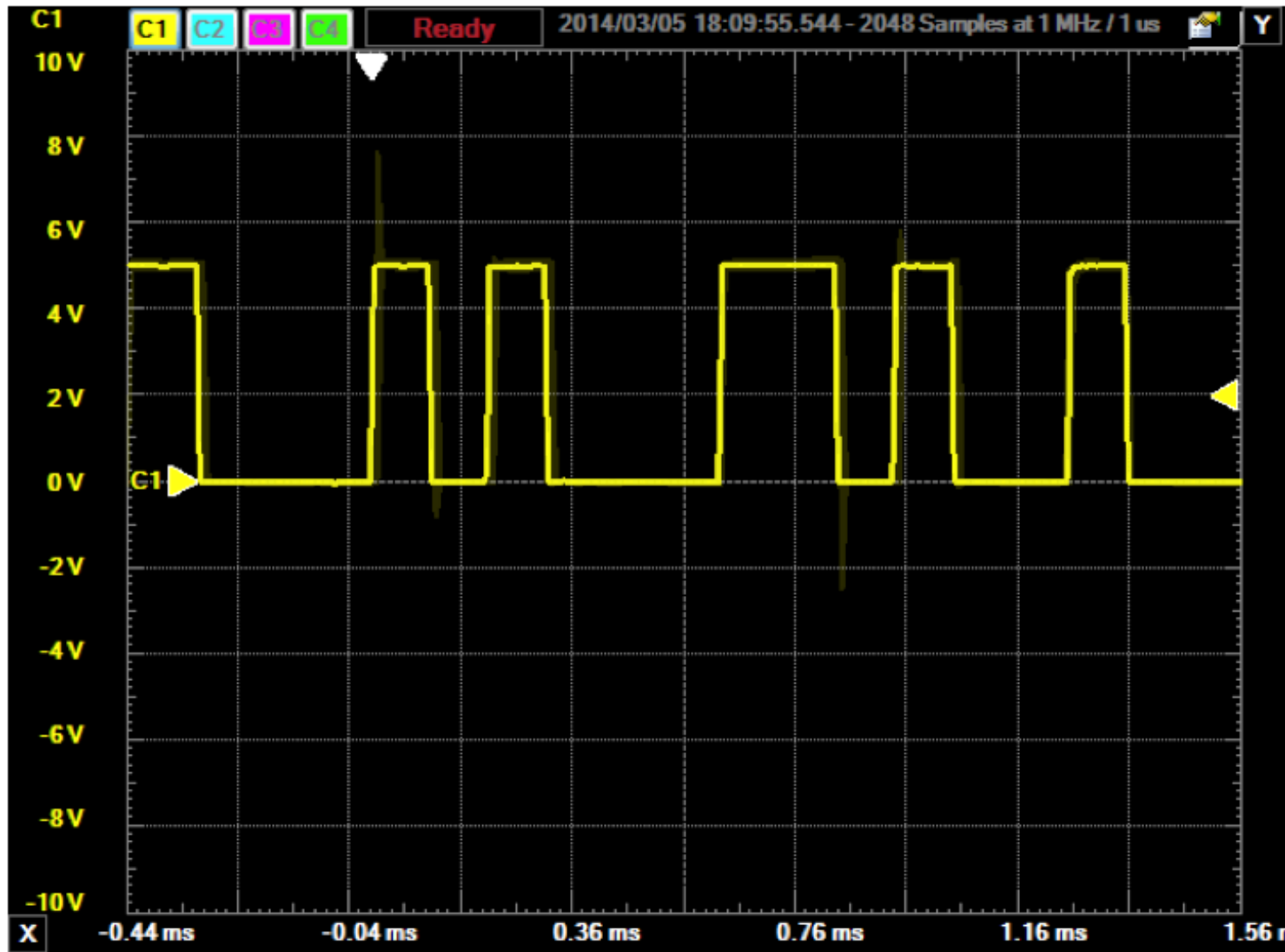


Equivalent TX signal on RS232 side

RS232 to TTL converter board DTE with Male DB9

3.3V to 5V logic level / 250kbps

9600 bps TX signal on TTL-CMOS logic side (VCC = 5V)



RS232 to TTL converter board DTE with Male DB9

3.3V to 5V logic level / 250kbps

9600 bps TX signal on TTL side converted to RS232 (measured from DB9 pin 3)

