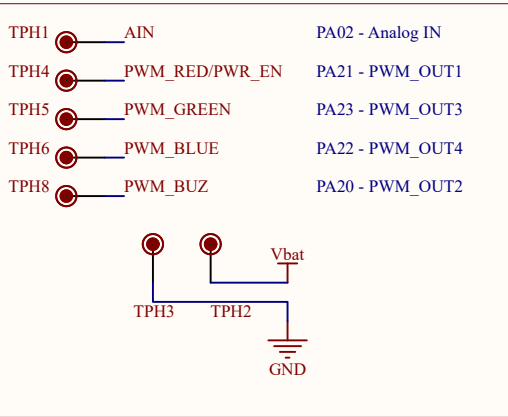


Connections to Syntiant TinyML board



| | | |
|-----------------------------------|--------------------------------|--------------------|
| Title | | |
| TinyML extension LED board | | |
| Size | Number | Revision |
| A4 | | Rev.1 |
| Date: | 5.26.2023 | Sheet of |
| File: | C:\Users\...\Test sheet.SchDoc | Drawn By: Jan Riha |