

# Dream 6800 Computer

Sheet: CPU



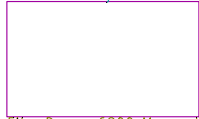
File: Dream\_6800\_CPU.sch

Sheet: Video



File: Dream\_6800\_Video.sch

Sheet: Memory



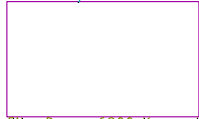
File: Dream\_6800\_Mem.sch

Sheet: Power



File: Dream\_6800\_Power.sch

Sheet: Keyboard

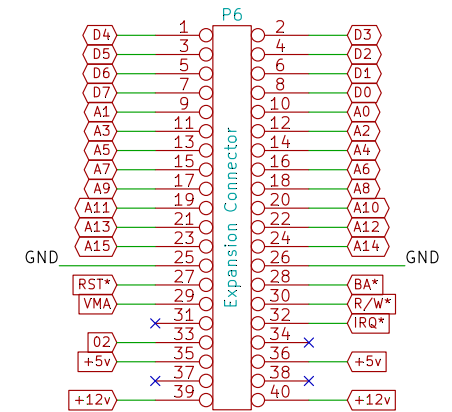
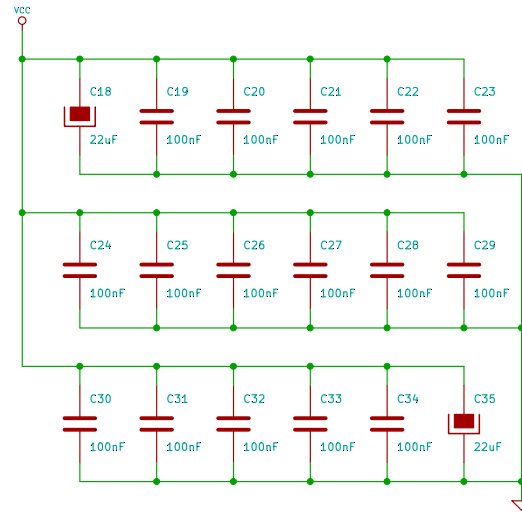


File: Dream\_6800\_Keys.sch

Sheet: Cassette



File: Dream\_6800\_Cass.sch



- ✕ ○ P7
- ✕ ○ P8
- ✕ ○ P9
- ✕ ○ P10

File: Dream\_6800.sch

Sheet: /

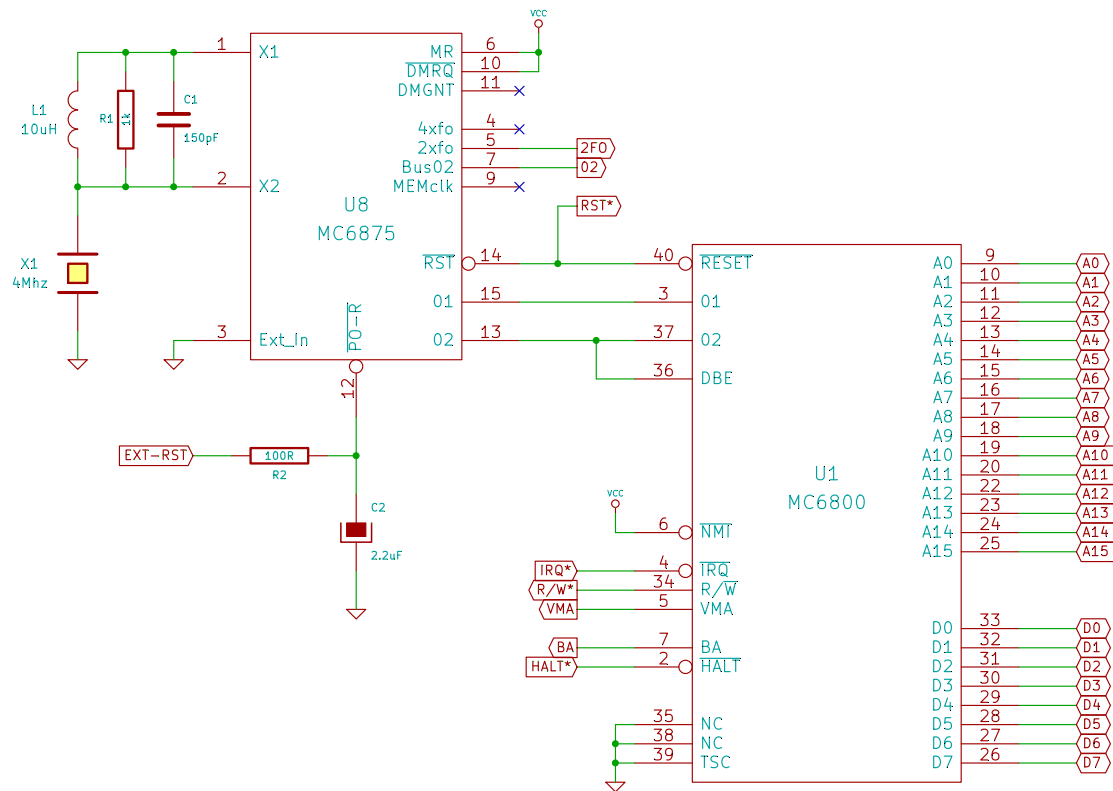
Title:

Size: A4 Date: 4 jan 2019

KiCad E.D.A. eeschema (2013-07-07 BZR 4022)-stable

Rev:

Id: 1/7



File: Dream\_6800\_CPU.sch

Sheet: /CPU/

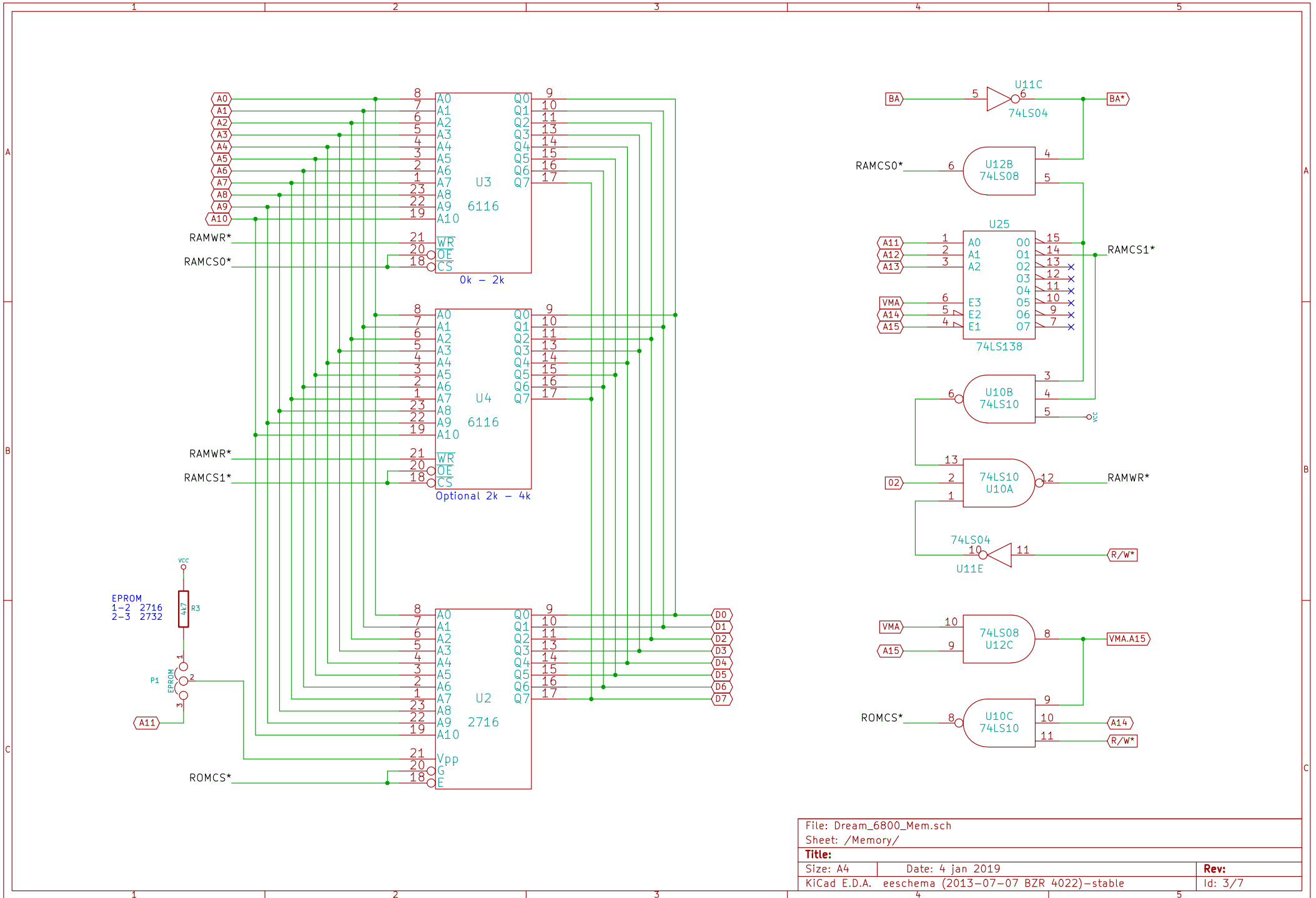
Title:

Size: A4 Date: 4 jan 2019

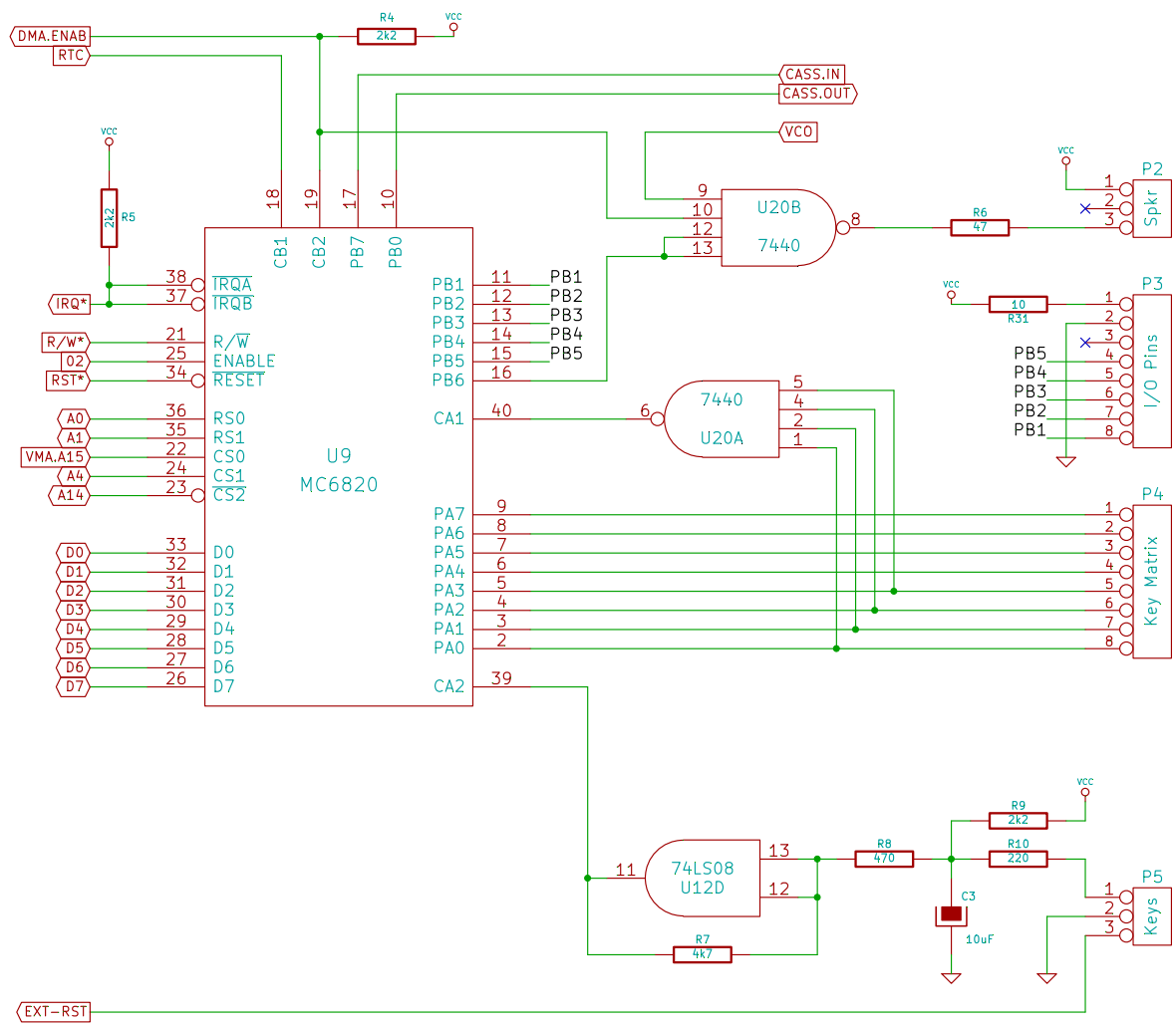
Rev:

KiCad E.D.A. eeschema (2013-07-07 BZR 4022)-stable

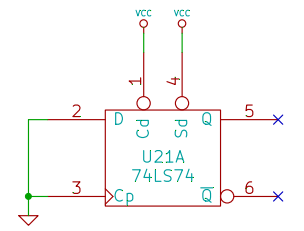
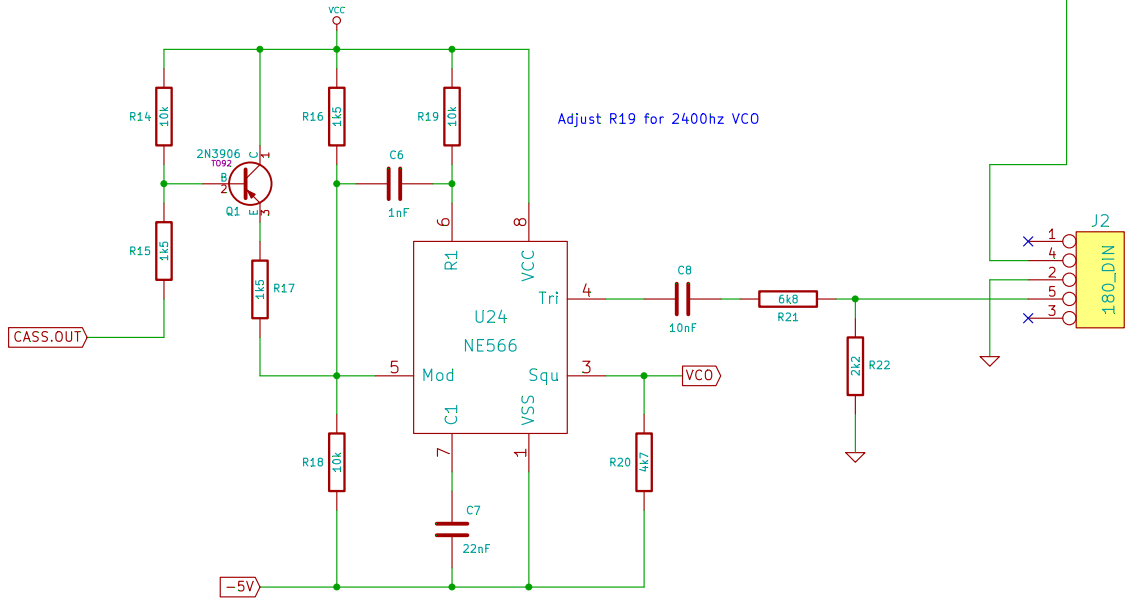
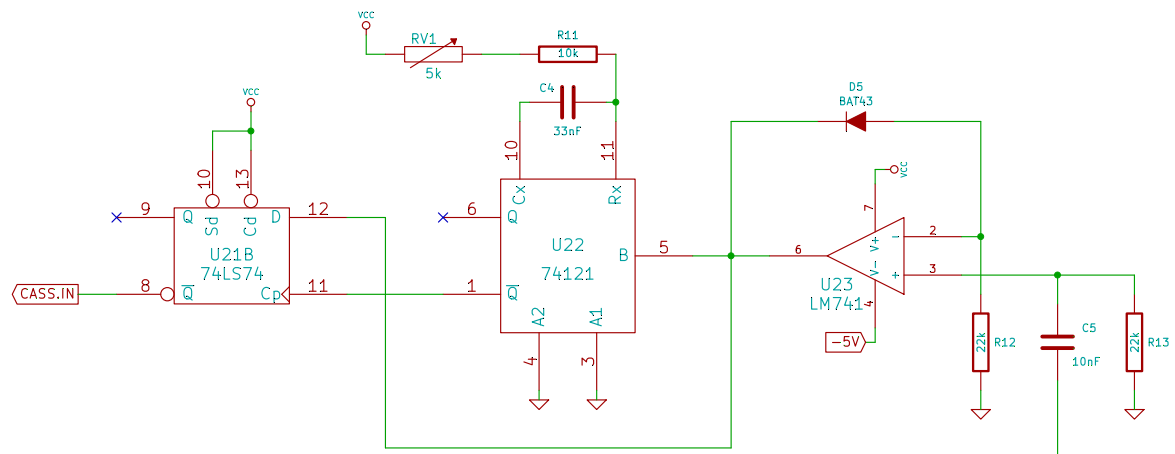
Id: 2/7



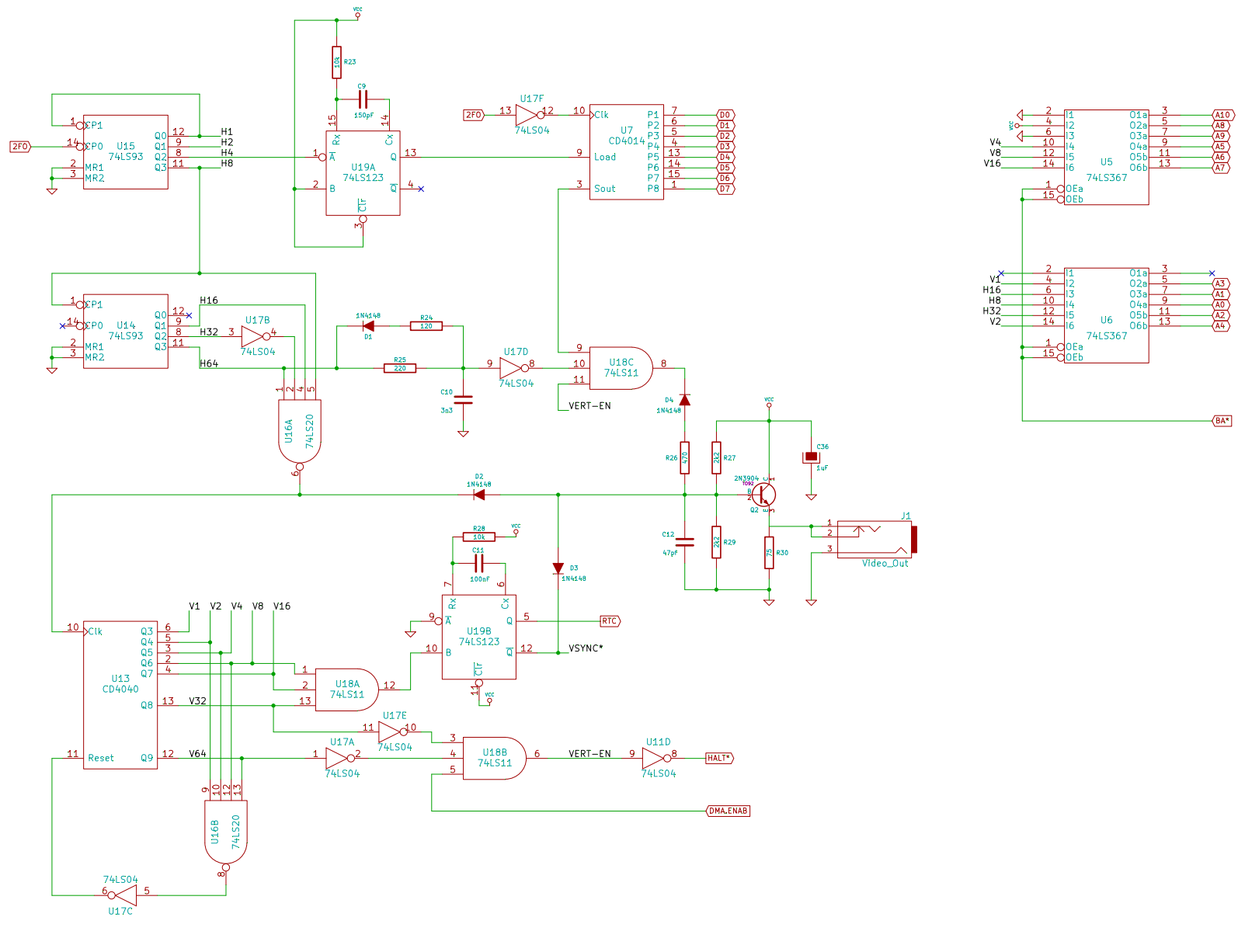
File: Dream_6800_Mem.sch	
Sheet: /Memory/	
<b>Title:</b>	
Size: A4	Date: 4 jan 2019
KiCad E.D.A. eschema (2013-07-07 BZR 4022)-stable	
Rev: Id: 3/7	

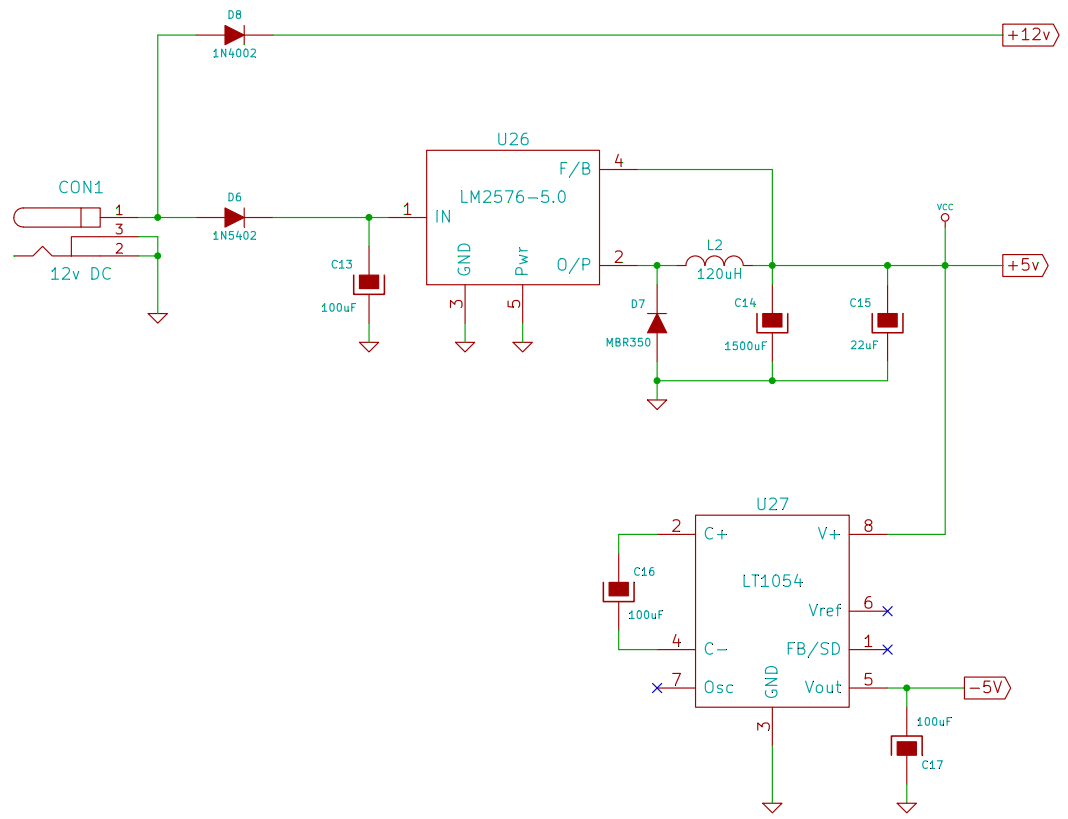


File: Dream_6800_Keys.sch	
Sheet: /Keyboard/	
<b>Title:</b>	
Size: A4	Date: 4 jan 2019
KiCad E.D.A. eeschema (2013-07-07 BZR 4022)-stable	Rev: Id: 4/7



File: Dream_6800_Cass.sch	
Sheet: /Cassette/	
<b>Title:</b>	
Size: A4	Date: 4 jan 2019
KiCad E.D.A. eschema (2013-07-07 BZR 4022)-stable	Rev: 5/7





File: Dream_6800_Power.sch		
Sheet: /Power/		
<b>Title:</b>		
Size: A4	Date: 4 jan 2019	Rev:
KiCad E.D.A. eeschema (2013-07-07 BZR 4022)-stable		Id: 7/7