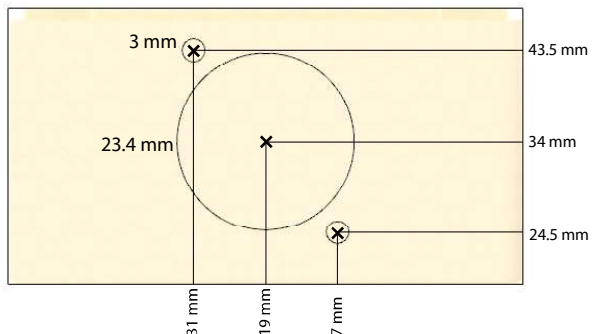
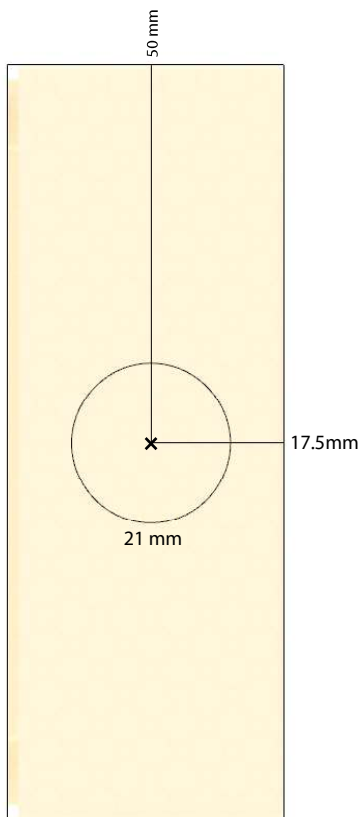
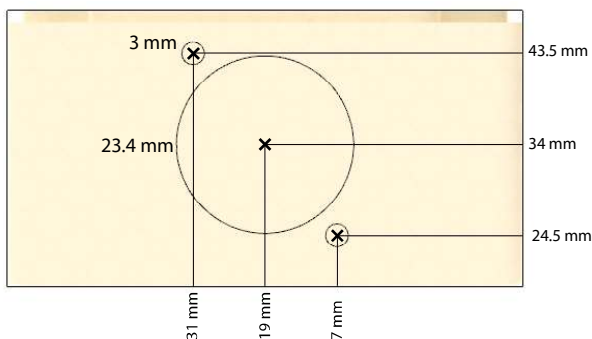


XLR 1 (same layout for both sides)

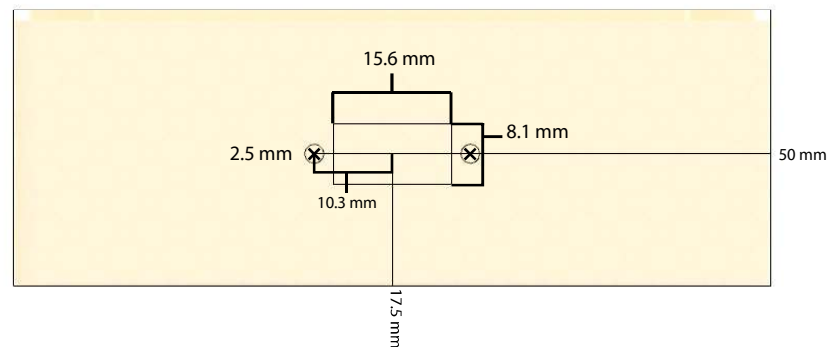


XLR 2

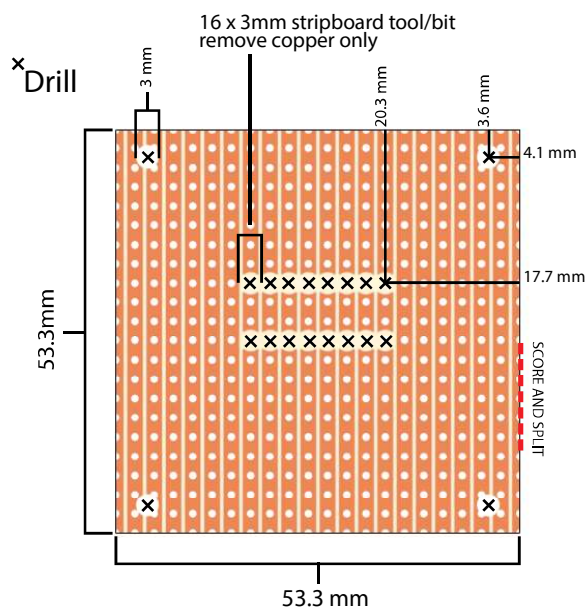
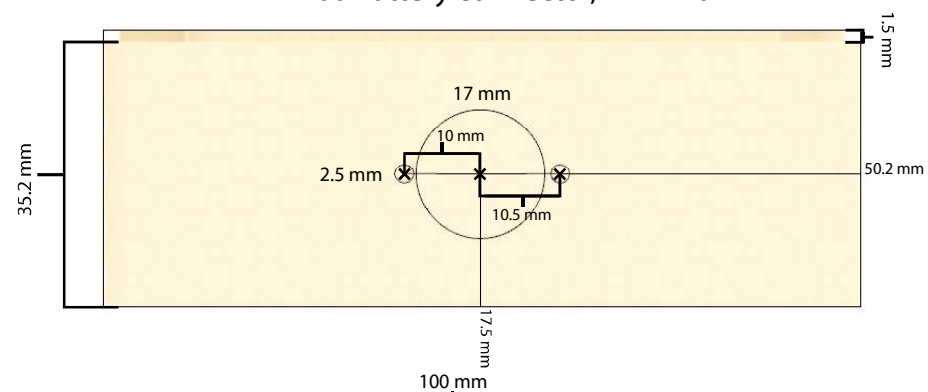


Switch

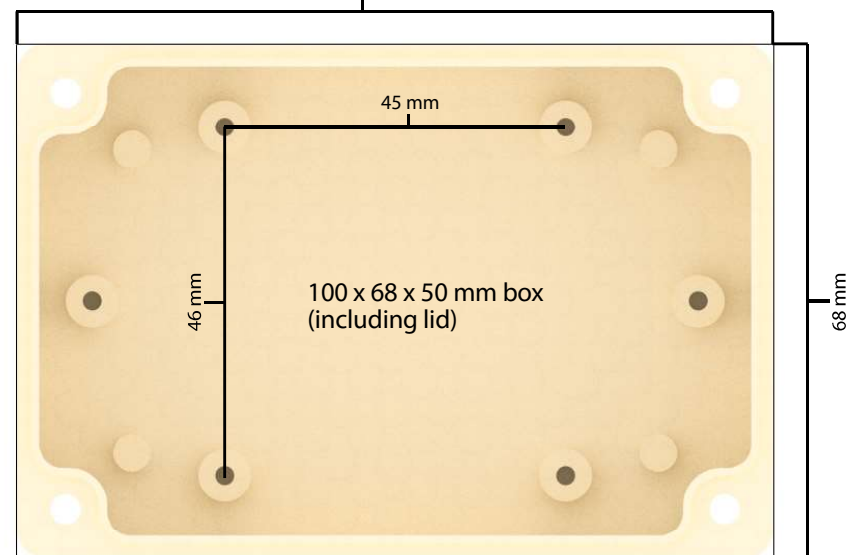
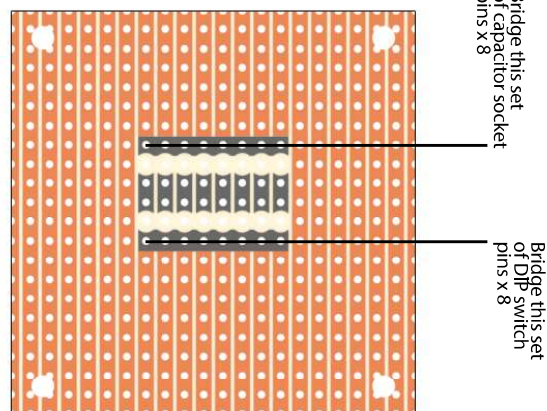
XT60 Battery connector, rectangular hole



XT60 Battery connector, 17mm drill



Solder



Dimensions, drill and solder patterns for the tuning board and case in a minimal Earth's Field NMR system