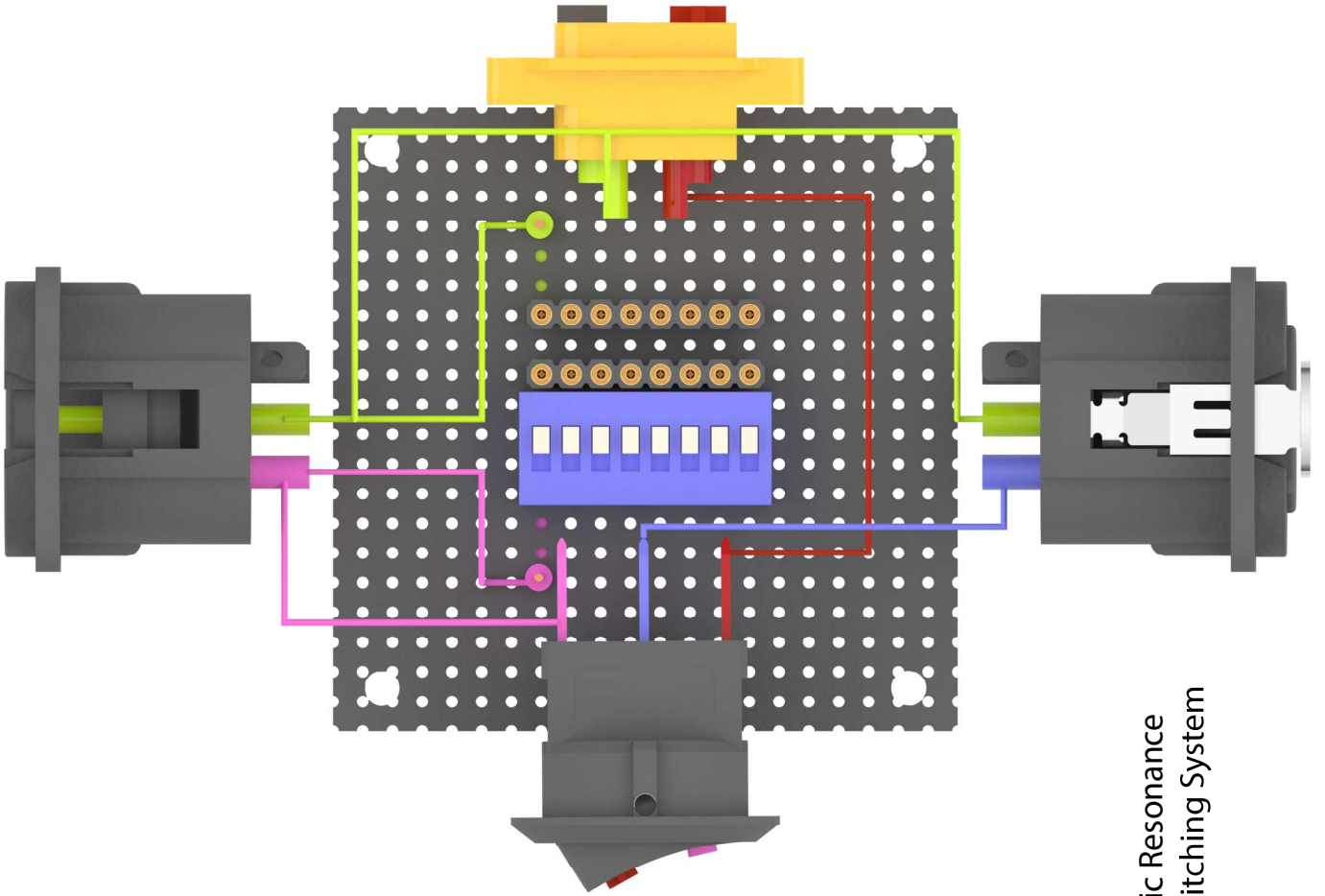
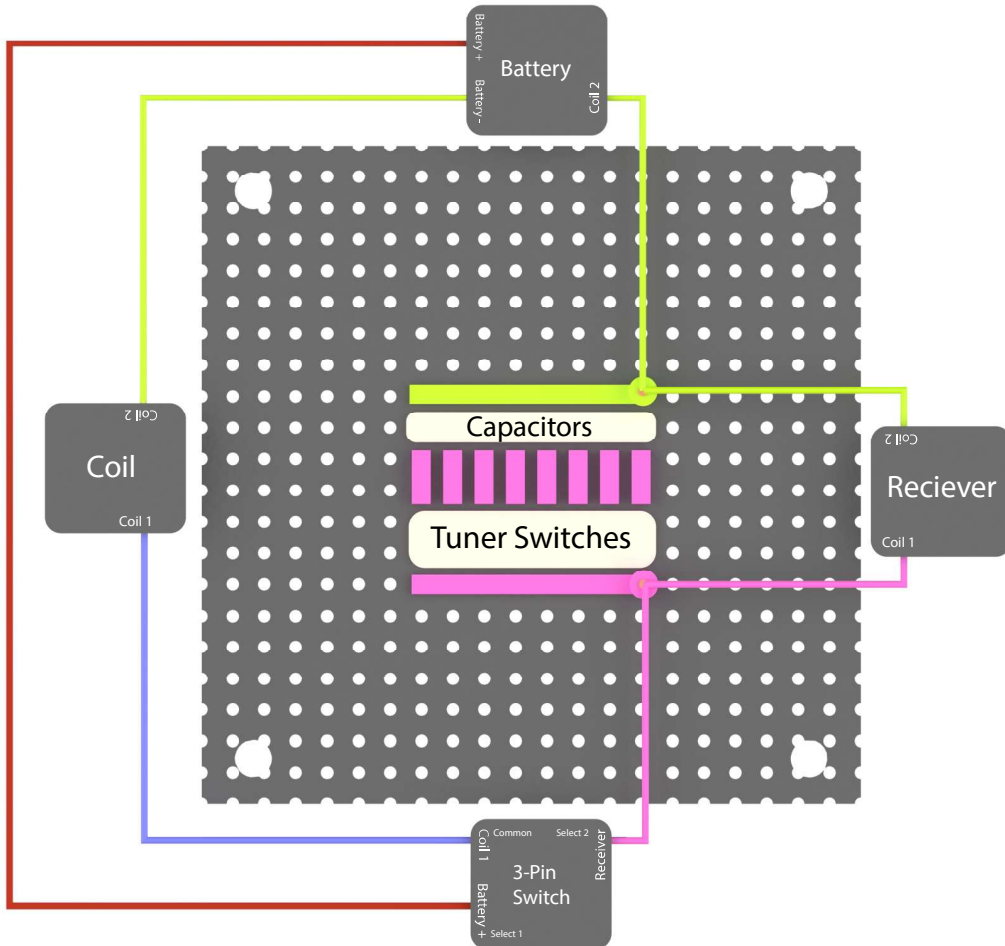


Top View / Wiring Diagram



Bottom View / Schematic



Earth's Field Nuclear Magnetic Resonance
Polarization and Receiver Switching System