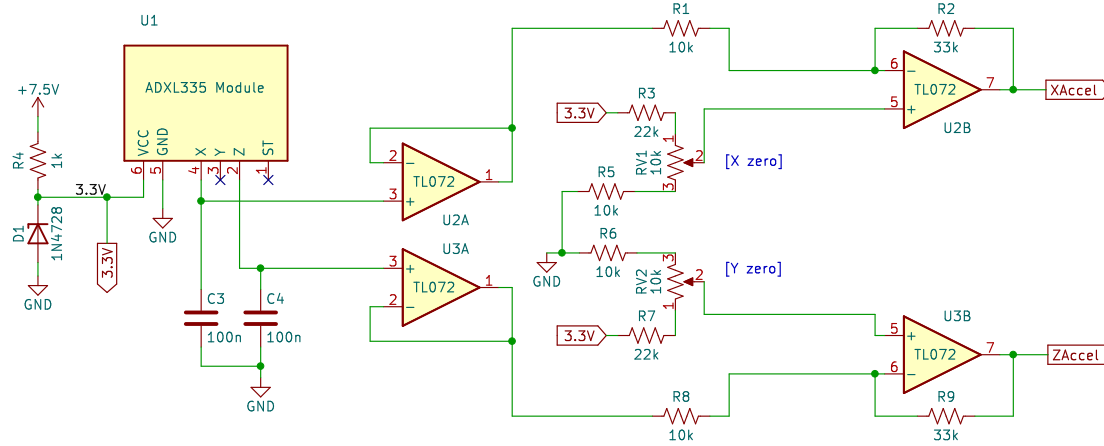
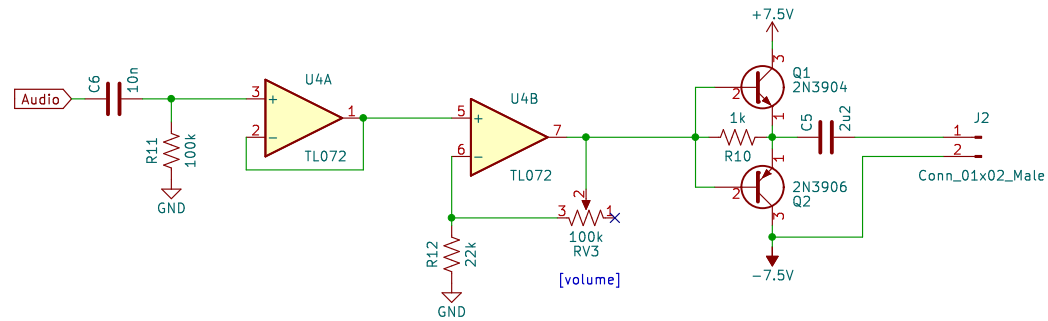


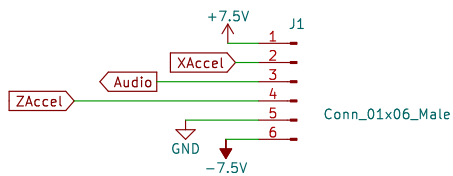
Accelerometer signal conditioning



Audio amplifier



Connector to main board



Power

