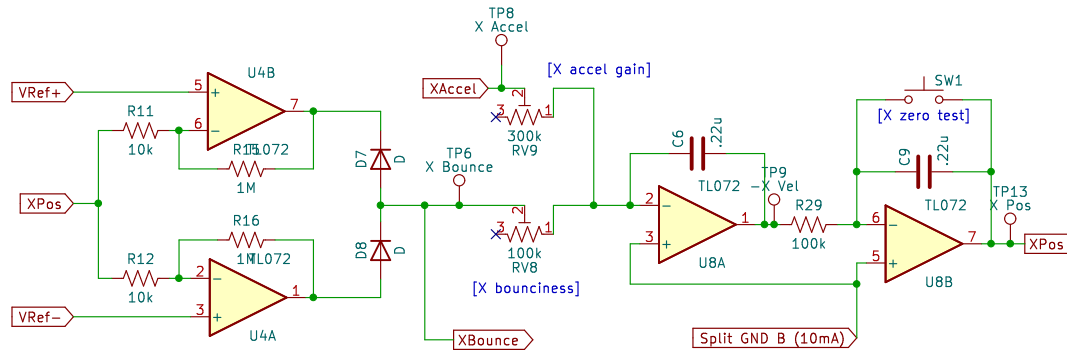
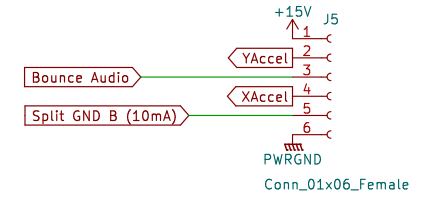


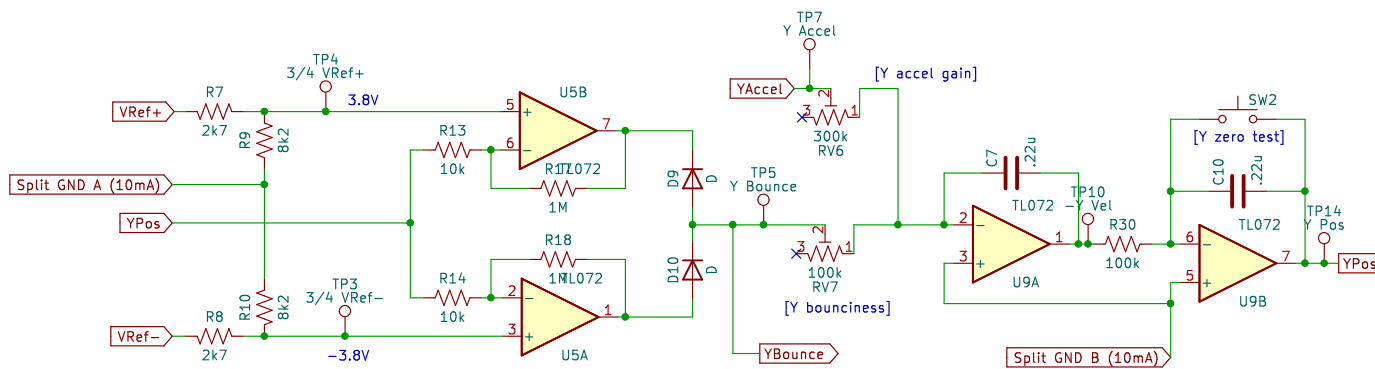
## X physics: bounce logic, velocity, position integrators



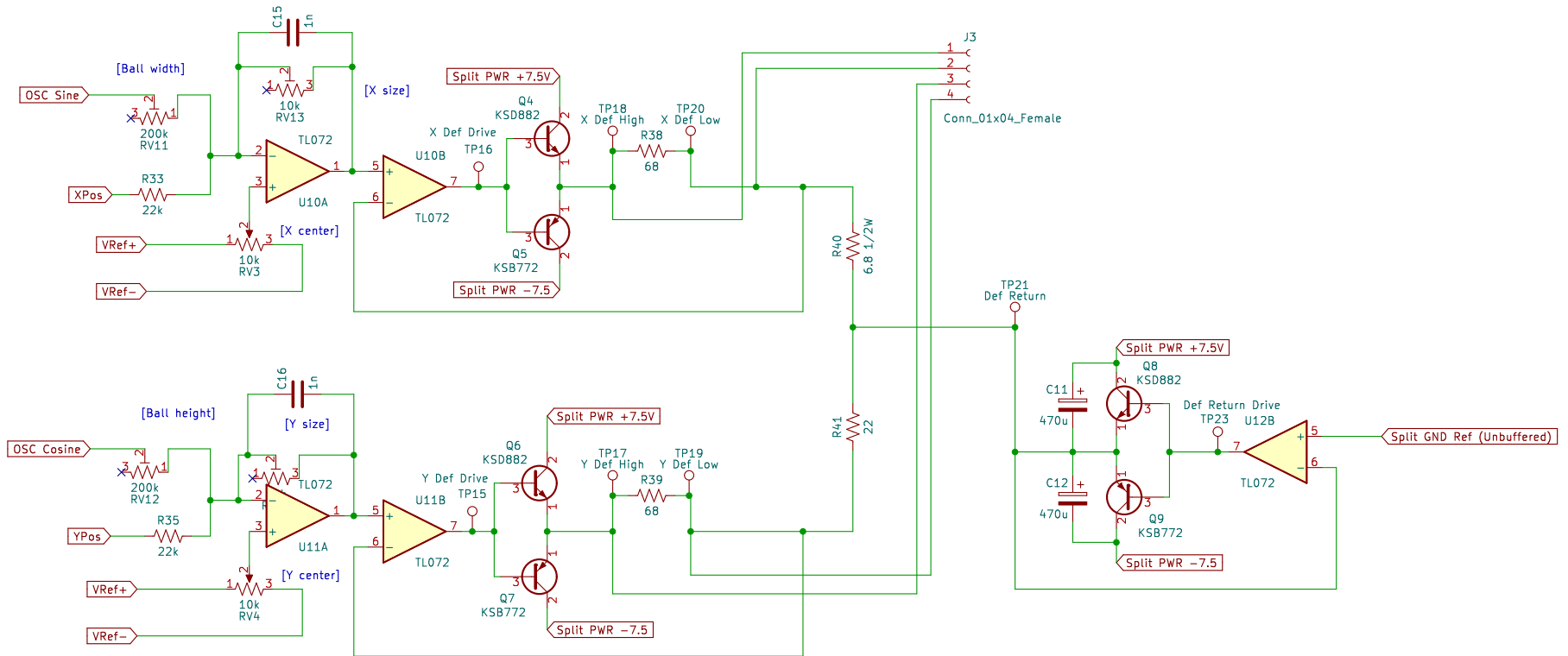
## Accelerometer board connector



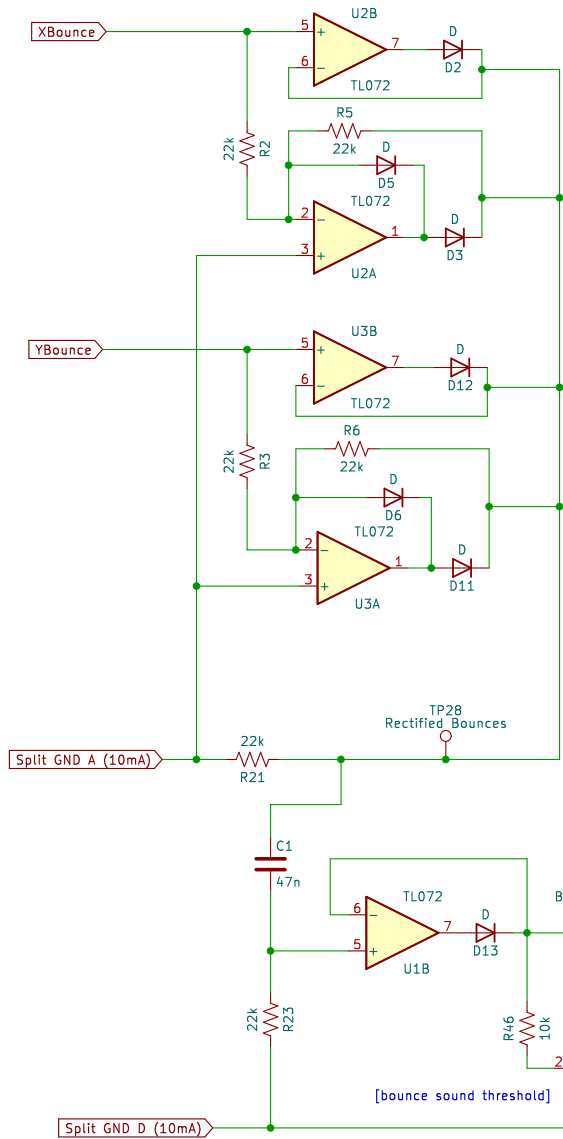
## Y physics: bounce logic, velocity, position integrators



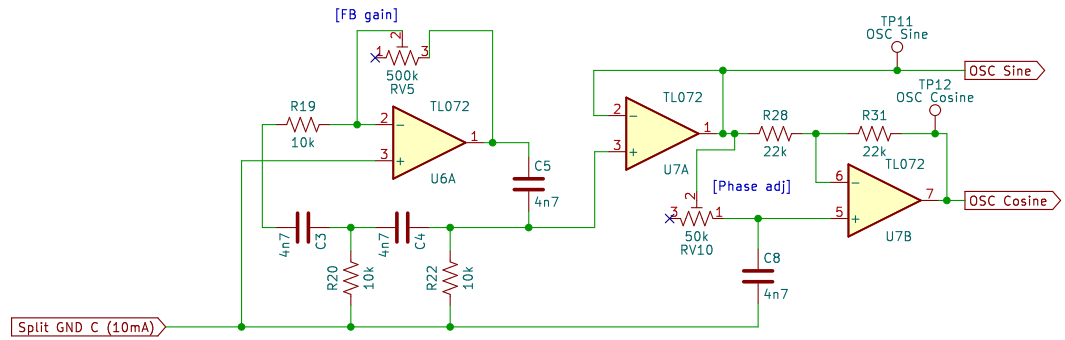
# X and Y deflection coil drivers (use heatsinks on transistors)



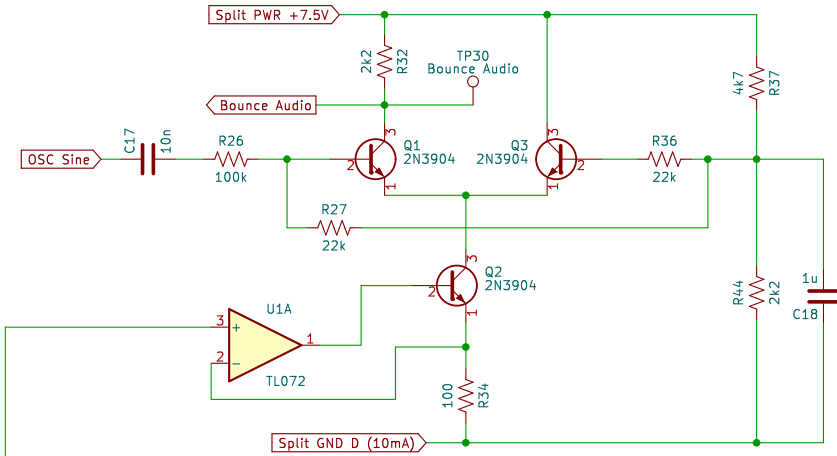
## Bounce sound threshold and pulse generator



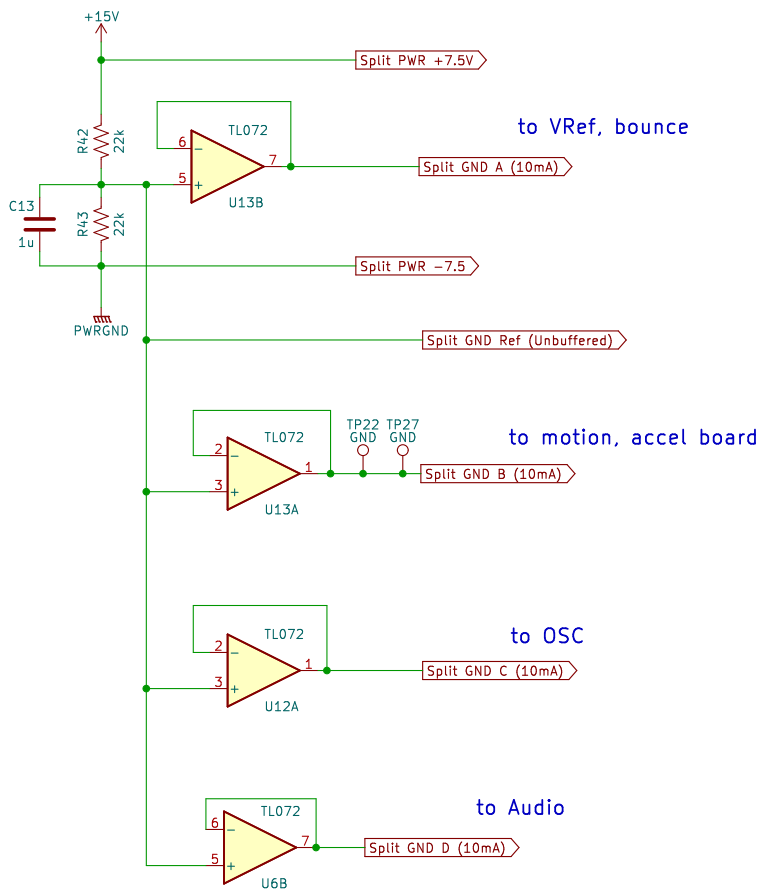
## 1.3 kHz quadrature sine oscillator, for ball display and bounce sound effect



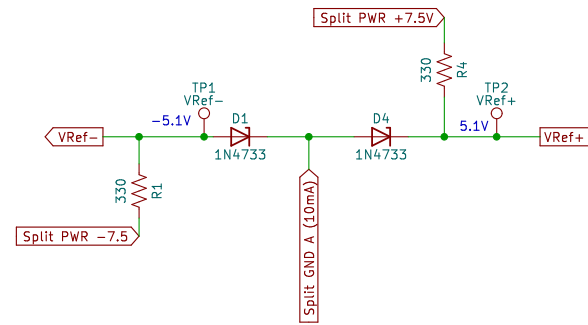
## Bounce sound VCA



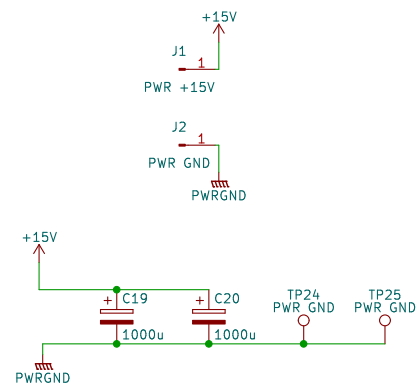
## +/- 7.5V split supply



## Positive and negative reference voltage



## Power connector



## Display power 12V

