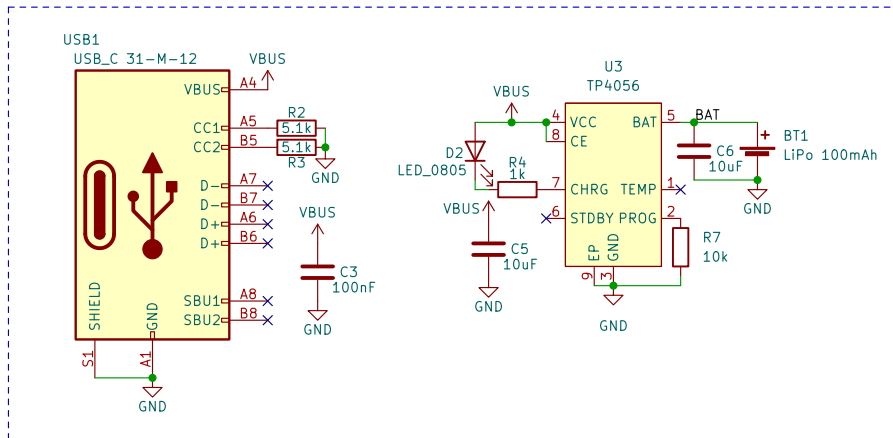
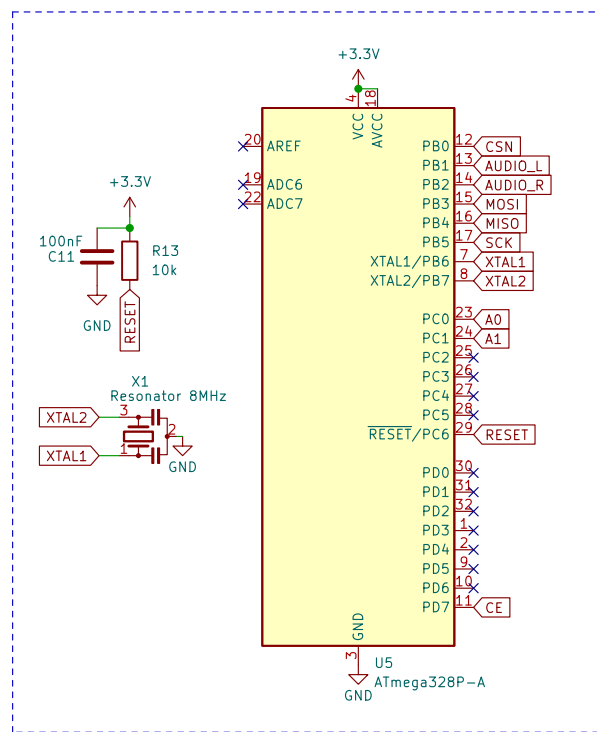


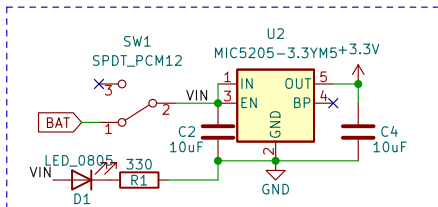
## Battery charger



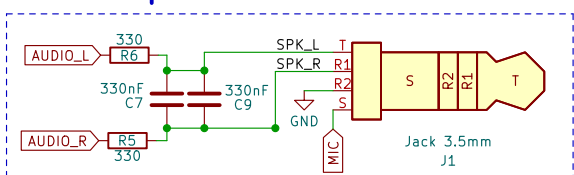
## Microcontroller ATMEGA328P 3.3v 8MHz



## Voltage regulator

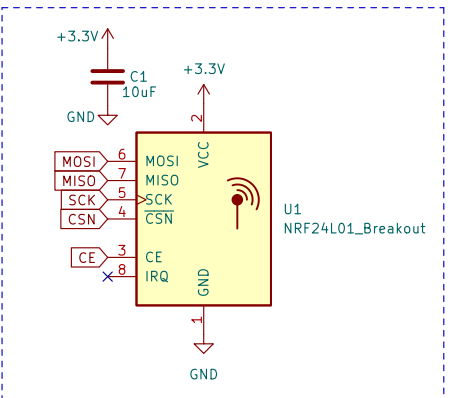


## Audio output

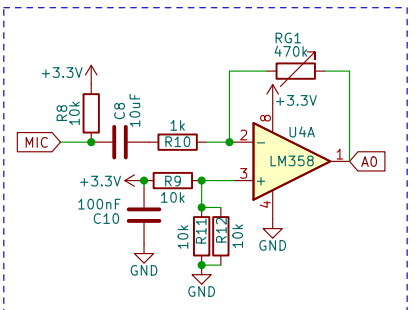


Mandatory low pass filter.  
Using R=330 and C=330n sets cutoff frequency at 1.4kHz  
Filters pwm high frequency and allows human voice frequencies

## Radio communication

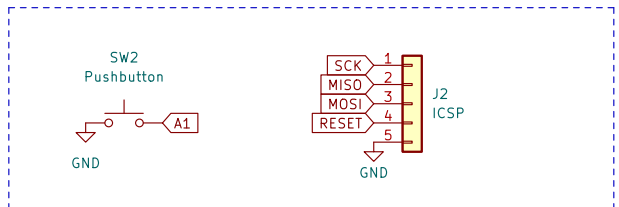


## Audio input amplifier



RG1 sets gain for microphone (Gain = RG1/1000)  
Typical gain for a headphone mic is 470  
For capsule microphone values might be lower around 100

## I/O



## Detective Boys walkie talkie v1.2 (21/06/2023)

Sheet: /	
File: DETECTIVE_BOYS_BADGE.kicad_sch	
<b>Title:</b>	
Size: A4	Date:
KiCad E.D.A. kicad (6.0.0)	Rev:
	Id: 1/1