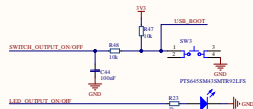
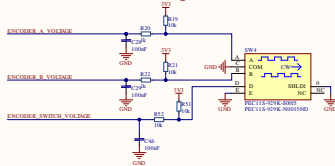


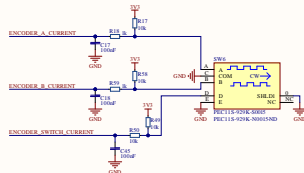
OUTPUT SWITCH



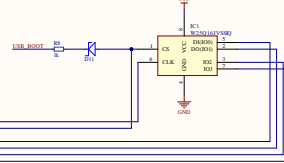
ENCODER Voltage



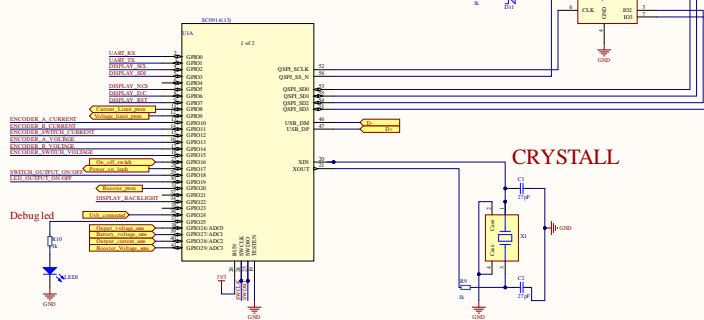
ENCODER CURRENT



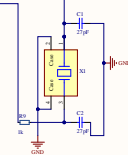
FLASH



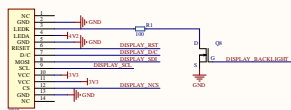
MCU



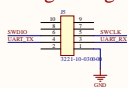
CRYSTALL



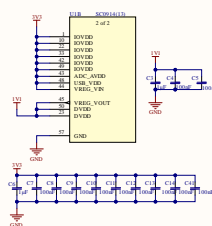
DISPLAY

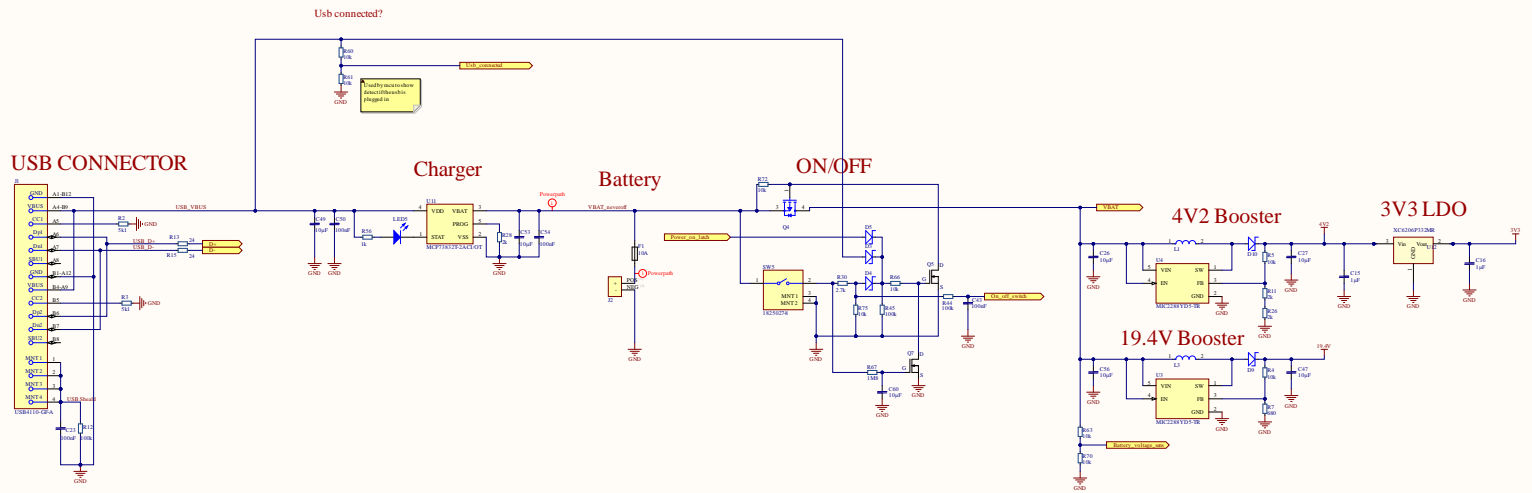


Programing

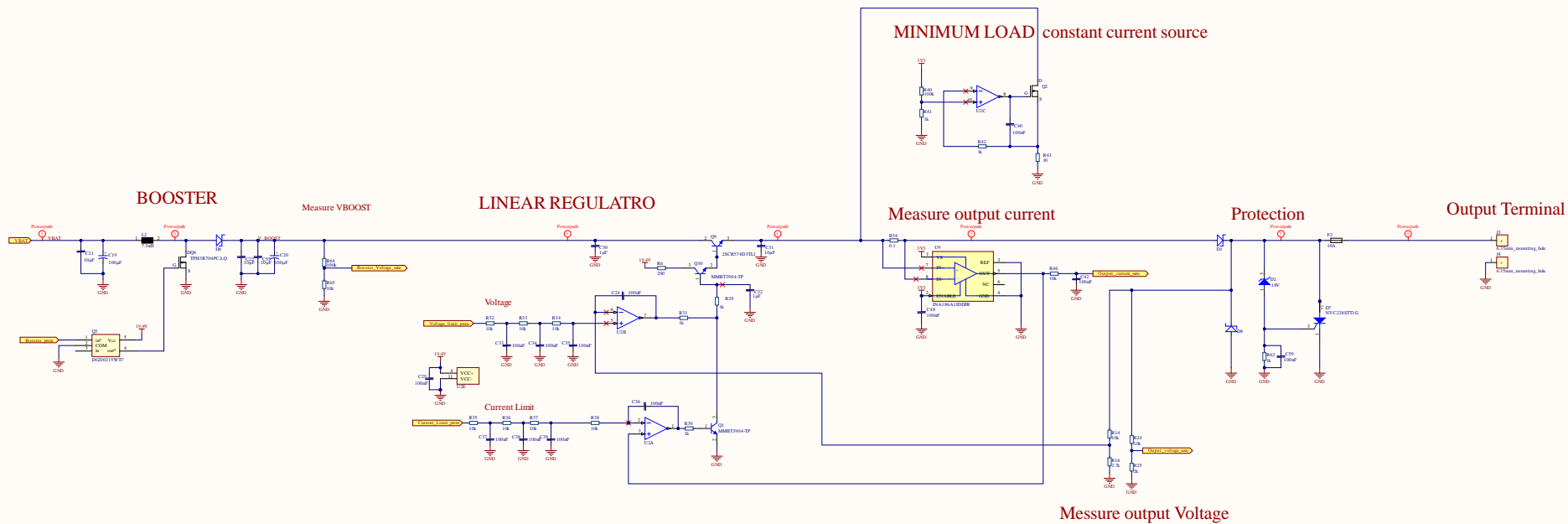


MCU POWER/DECPELING





Rev.	Number	Revised
Rev. A1	1	
Rev. A2	2	
Rev. A3	3	
Rev. A4	4	
Rev. A5	5	
Rev. A6	6	
Rev. A7	7	
Rev. A8	8	
Rev. A9	9	
Rev. A10	10	
Rev. A11	11	
Rev. A12	12	



Rev	Number	Revised
001	001	
002	002	
003	003	

Date: 2023-10-27
 Design: C:\Users\Bartolomew\Documents\Bartolomew\Bartolomew_SchDoc\Bartolomew_SchDoc.dwg
 Drawn By: Bartolomew