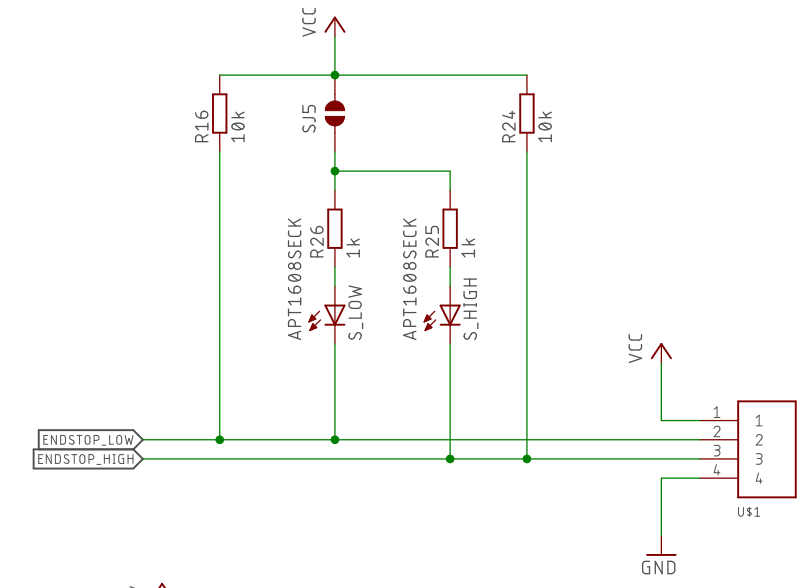
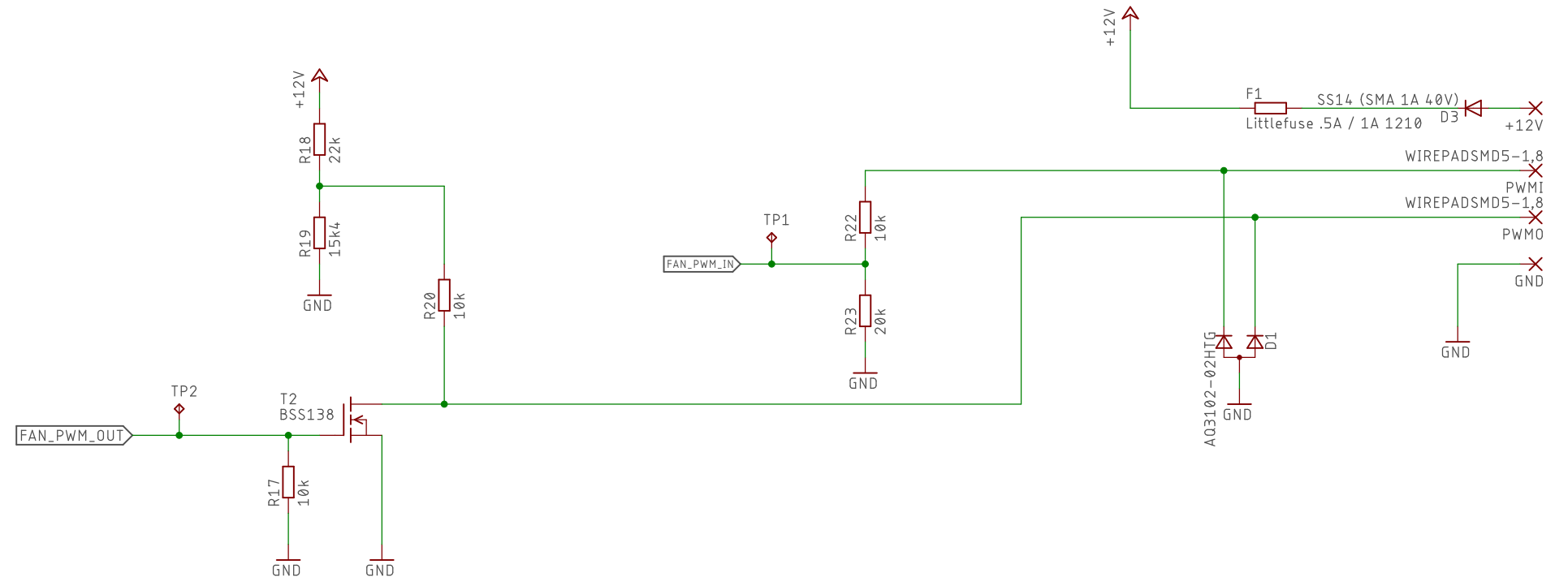
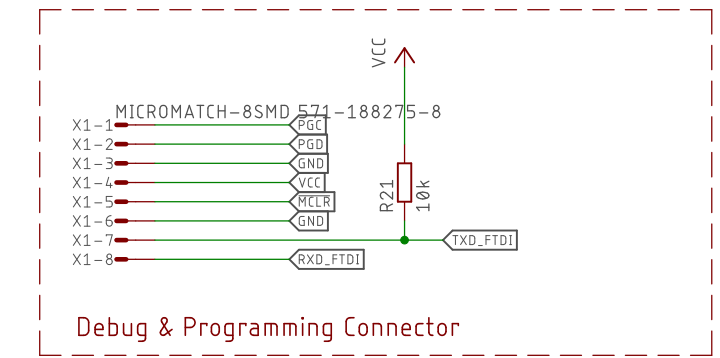
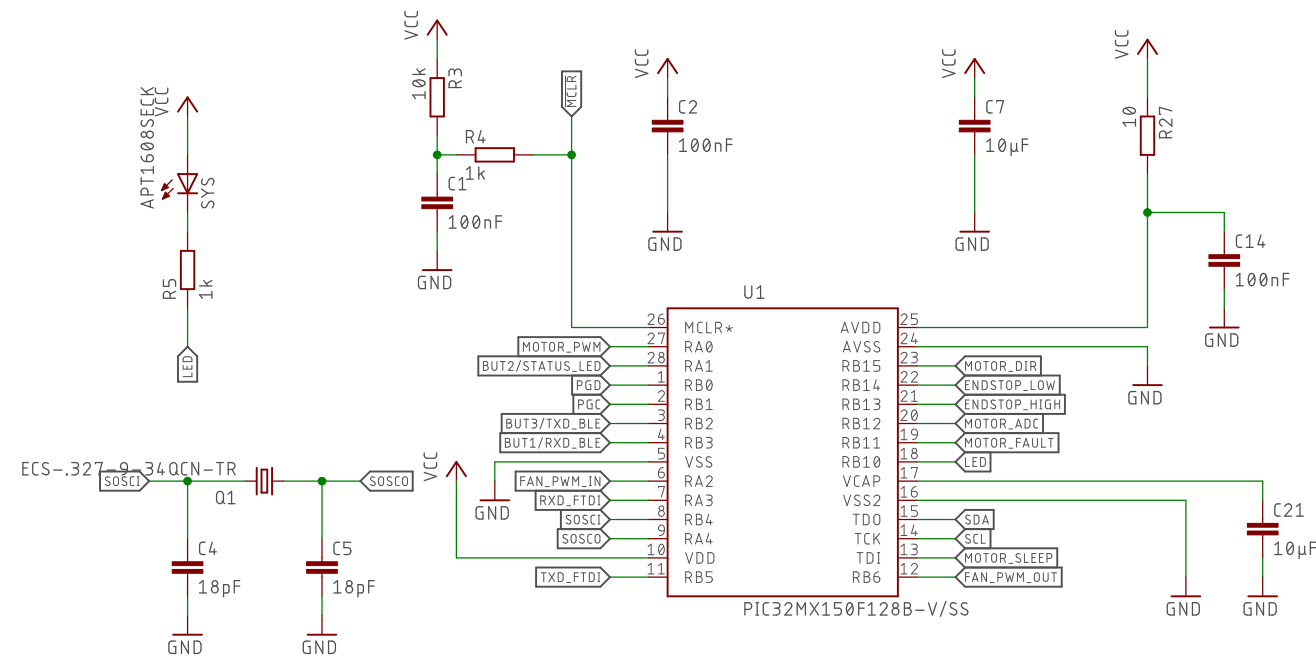
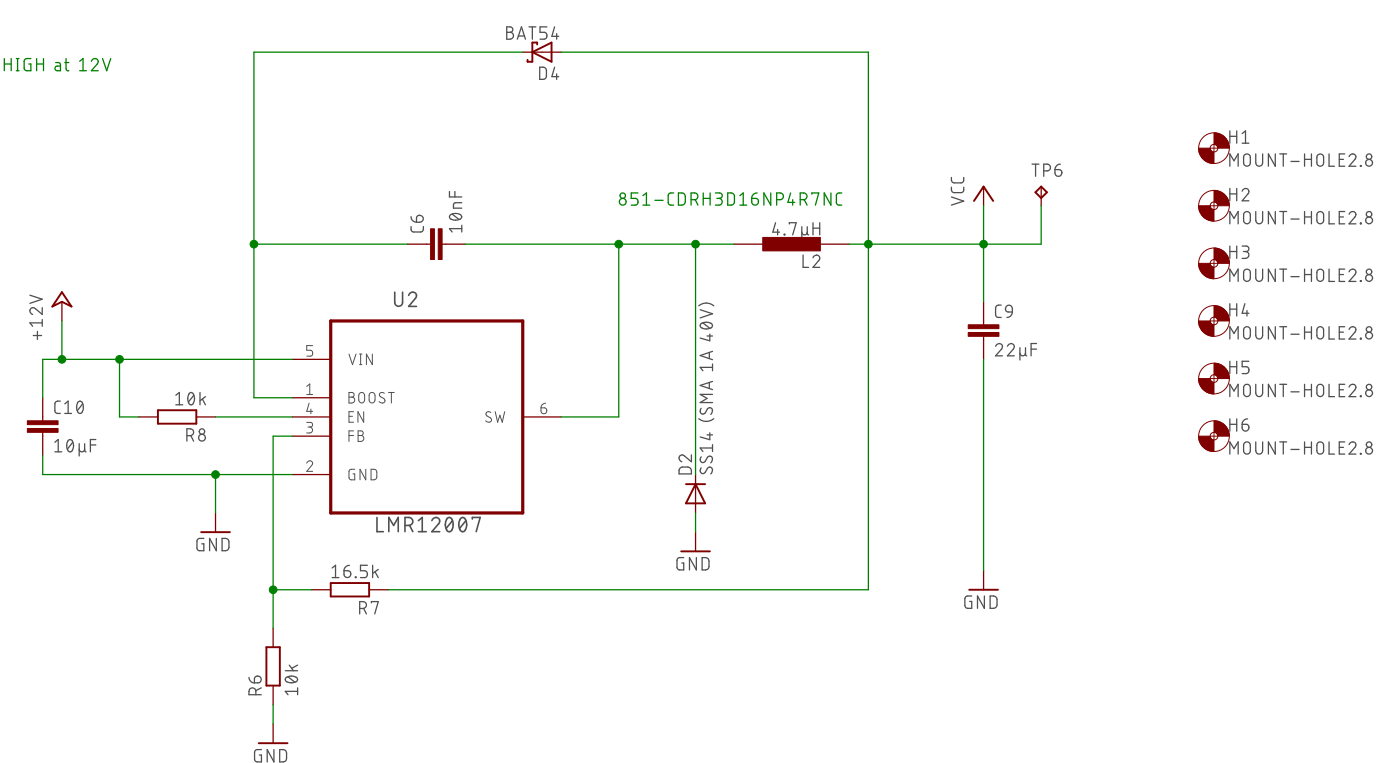


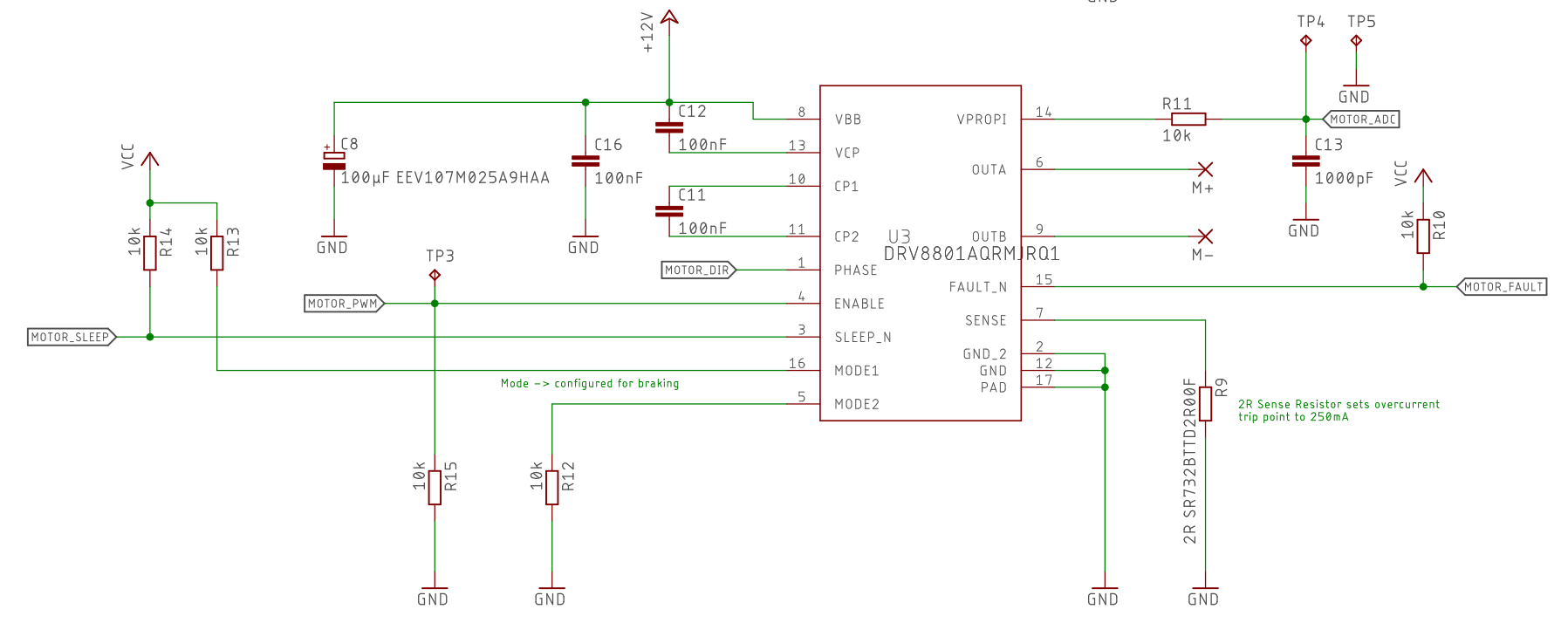
NOTE: check values of voltage divider



voltage divider configured for 4.94V HIGH at 12V



- H1 MOUNT-HOLE2.8
- H2 MOUNT-HOLE2.8
- H3 MOUNT-HOLE2.8
- H4 MOUNT-HOLE2.8
- H5 MOUNT-HOLE2.8
- H6 MOUNT-HOLE2.8



2R Sense Resistor sets overcurrent trip point to 250mA