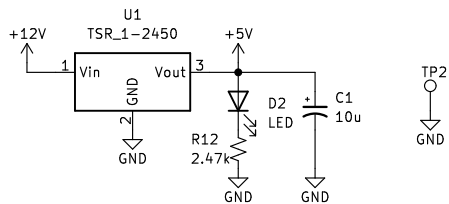
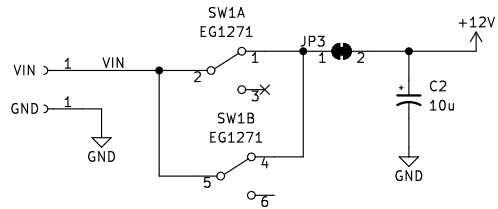
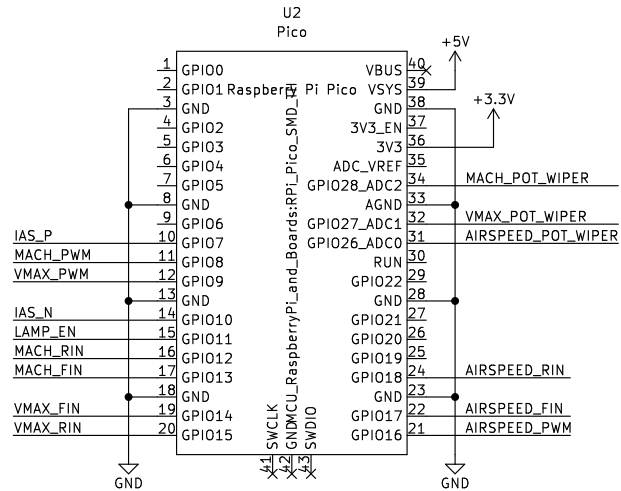
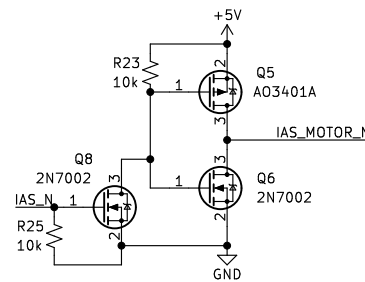
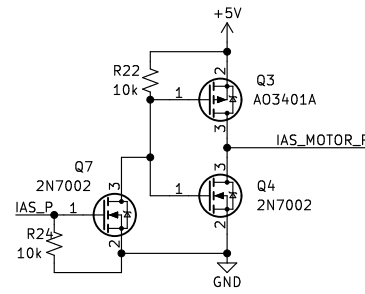


PI PICO



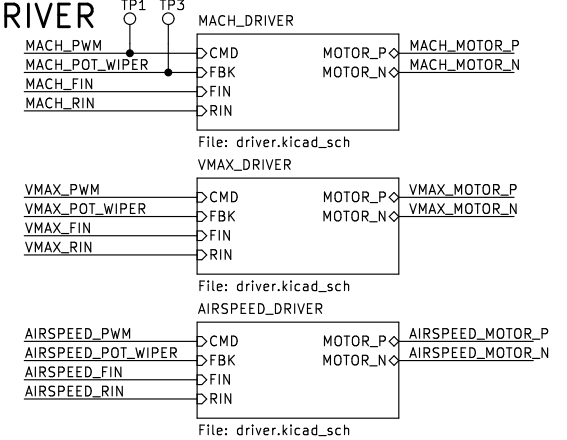
IAS DRIVER



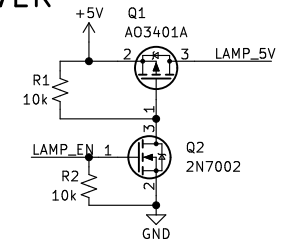
MOUNTING

- H1 MountingHole
- H2 MountingHole
- H3 MountingHole
- H4 MountingHole
- H5 MountingHole
- H6 Barrel Jack Mounting Hole

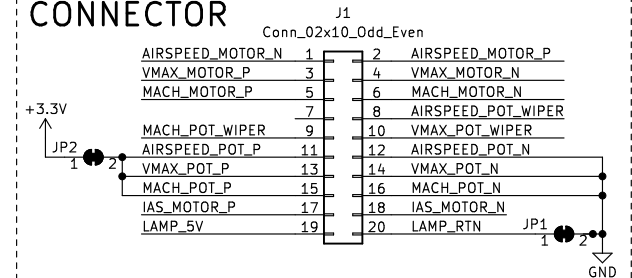
DRIVER



LAMP DRIVER



CONNECTOR



FA35PN@gmail.com

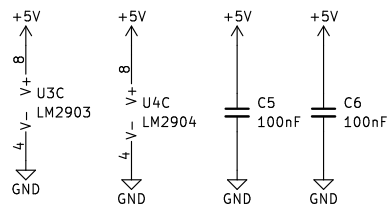
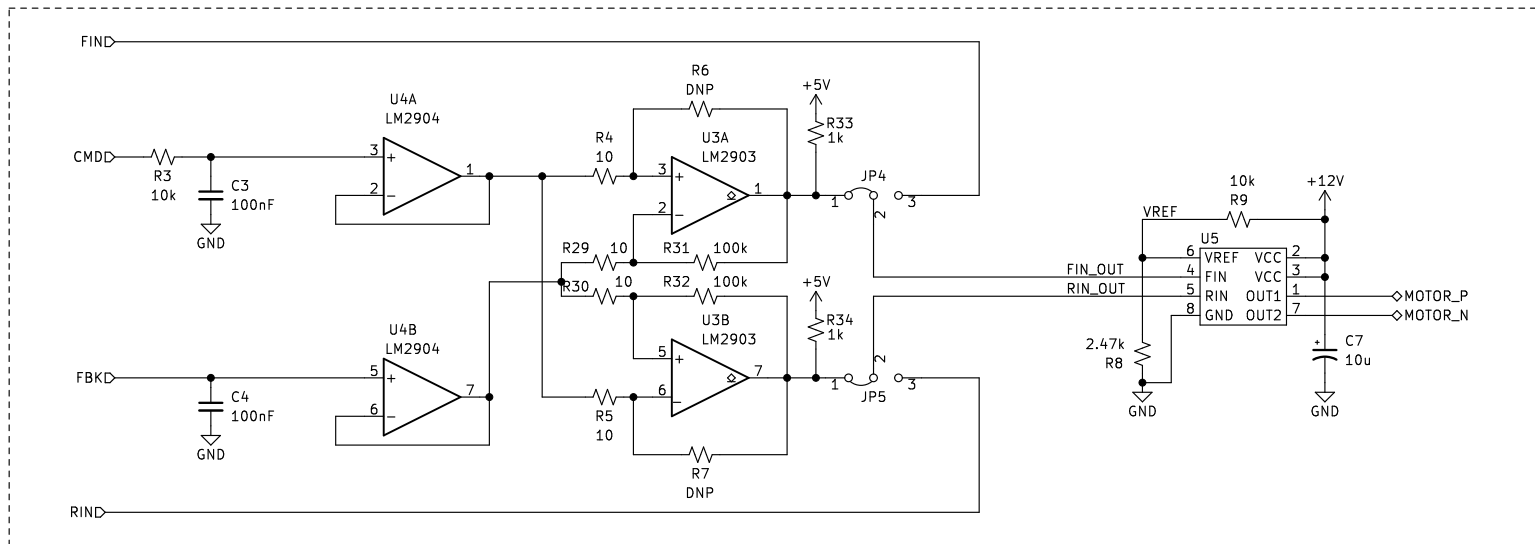
Sheet: /
File: machdriver.kicad_sch

Title: Mach Speed Indicator

Size: A4 Date: 2023-07-30
KiCad E.D.A. kicad (6.0.5)

Rev: A
Id: 1/4

DRIVER



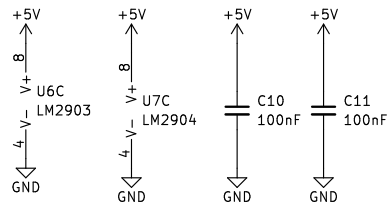
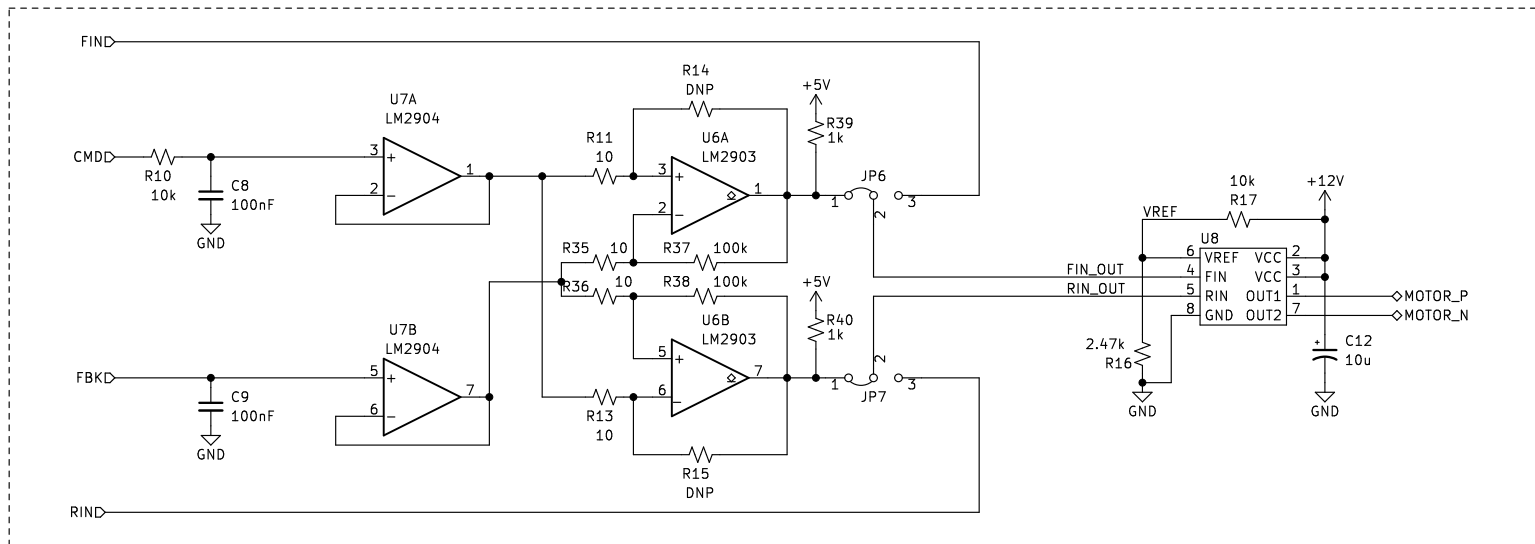
Sheet: /MACH_DRIVER/
File: driver.kicad_sch

Title:

Size: A4 Date: 2023-07-30
KiCad E.D.A. kicad (6.0.5)

Rev:
Id: 2/4

DRIVER



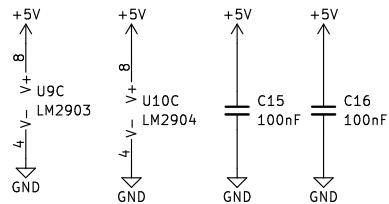
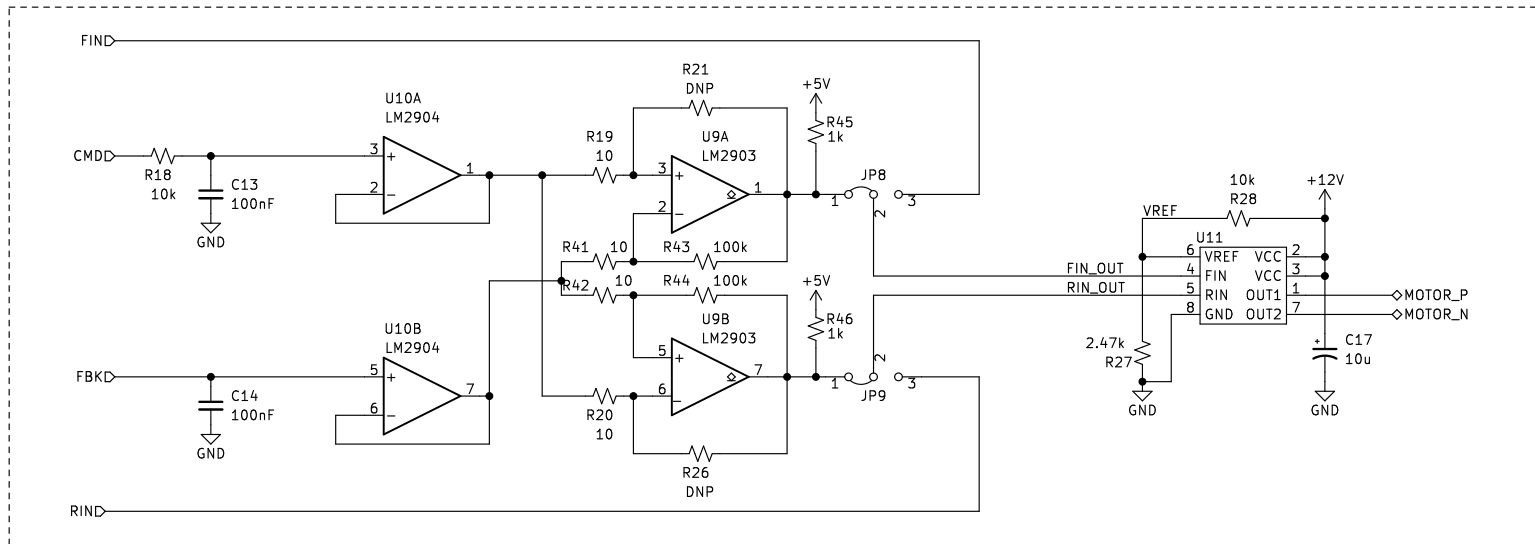
Sheet: /VMAX_DRIVER/
File: driver.kicad_sch

Title:

Size: A4 Date: 2023-07-30
KiCad E.D.A. kicad (6.0.5)

Rev:
Id: 3/4

DRIVER



Sheet: /AIRSPEED_DRIVER/
File: driver.kicad_sch

Title:

Size: A4 Date: 2023-07-30

KiCad E.D.A. kicad (6.0.5)

Rev:
Id: 4/4