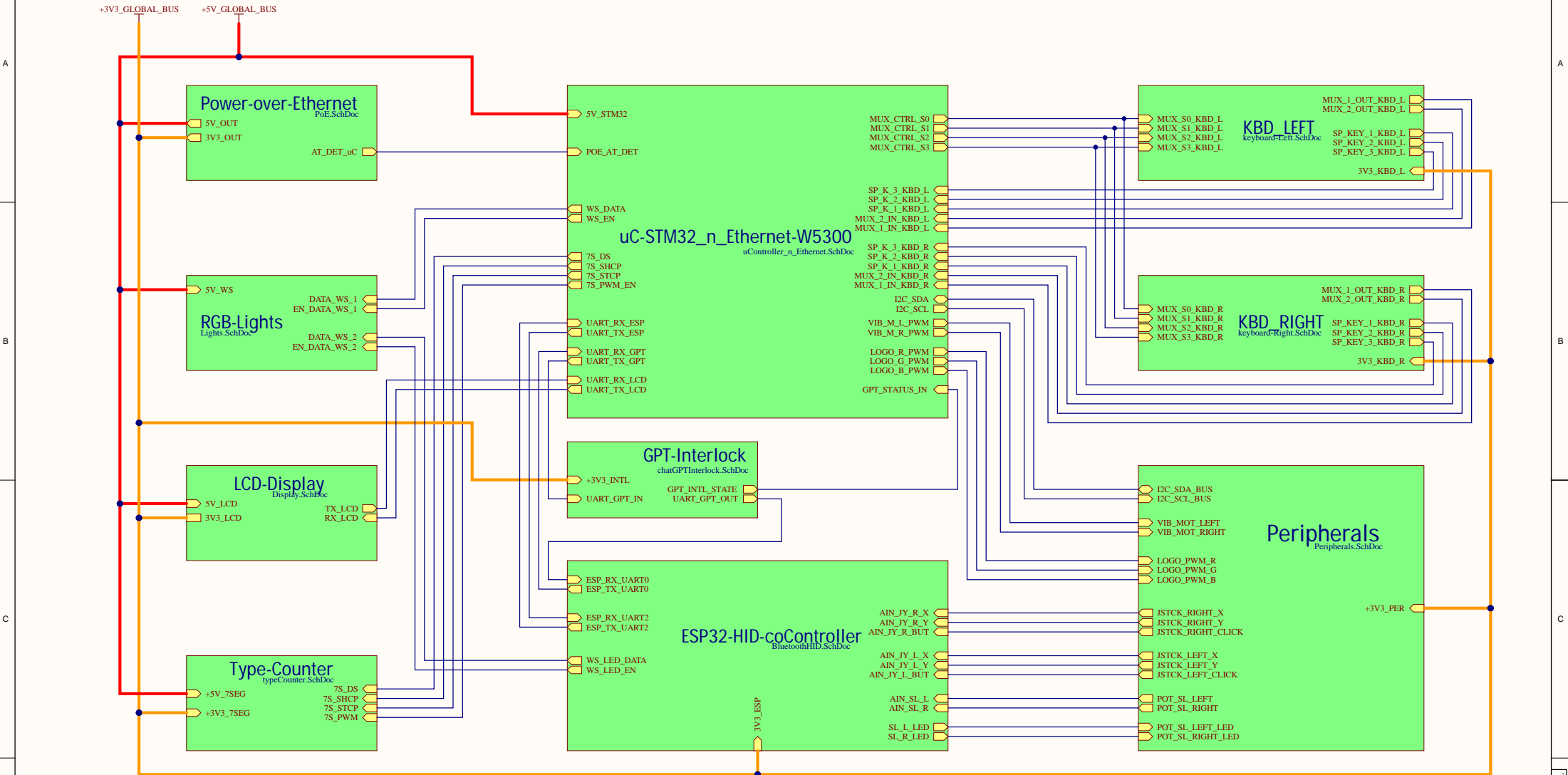


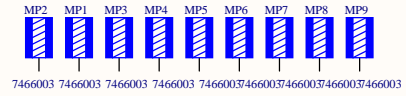
THIS DOCUMENT AND THE DATA DISCLOSED HEREIN OR HEREWITH IS THE PROPERTY OF SUMASTA TECH AND MAY BE FREELY DISTRIBUTED IN WHOLE. NO RIGHTS ARE RESERVED OR EXPRESS OR IMPLIED WARANTEE GIVEN. THIS DOCUMENT IS SUBJECT TO CHANGE WITHOUT NOTICE

REVISION	DESCRIPTION	DATE	APPROVED



Summary of Known oversight to be corrected in the next design:
 - In the type counter sheet, the MR should be connected to 3V# instead of Ground
 - The wurth PoE Component drawing is mirrored. must be corrected on the footprint side. Error coming from Wurth!

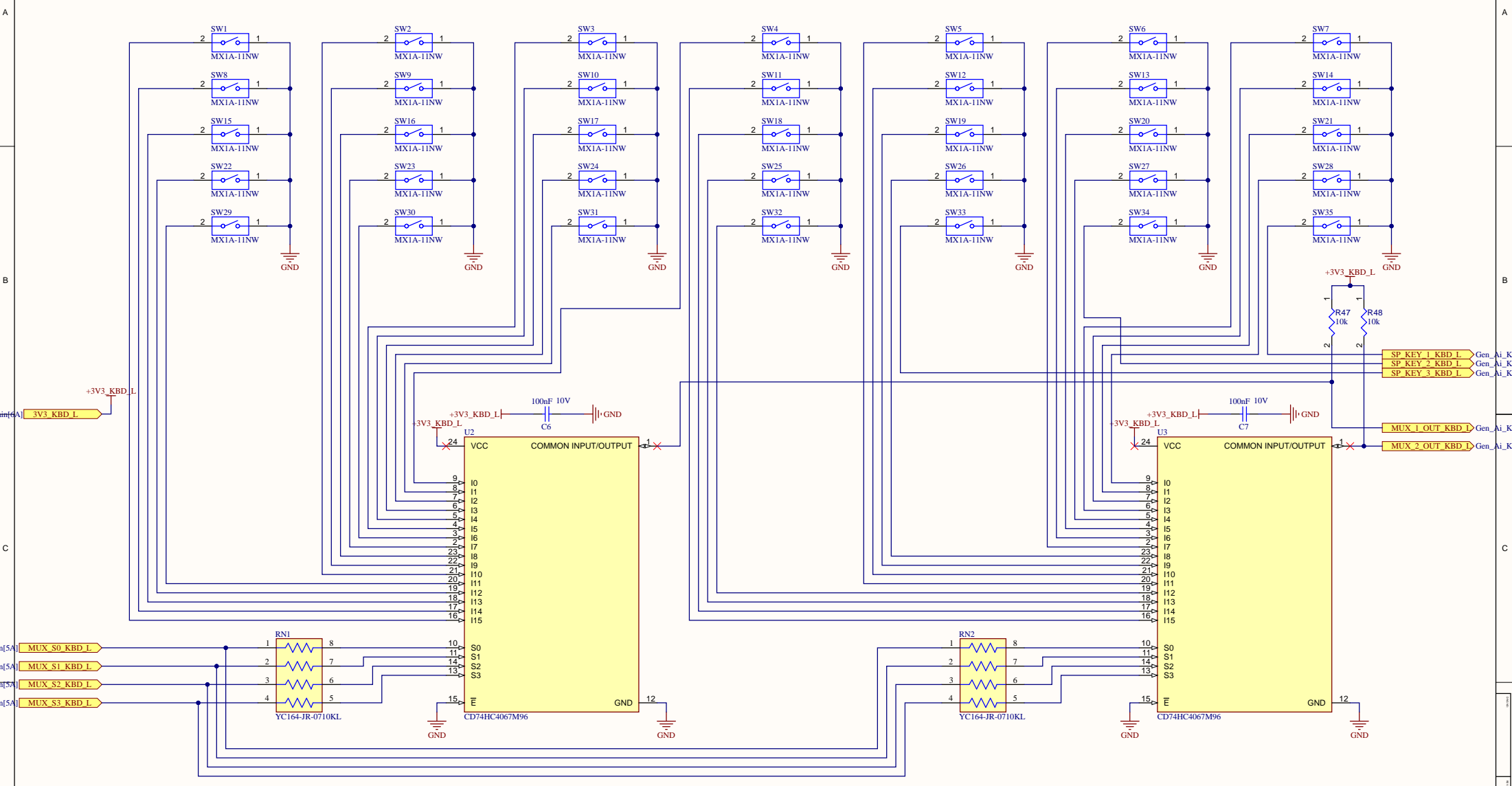
Summary of nice to have improvement:
 - Optional UART lines to the Nexition display, split the UART coming for the ESP for programming FW.
 - Add neopixel directly as a component on the bottom side of the PCB, so no need to use LED strips
 - To enable the LED on the interlock switch, must add additional inverterlogic
 - Add physical reset STM32 reset to one of te key/switch



PROJECT	SUMAS+A		
PROJECT REVISION:	DOCUMENT REVISION:	DESIGN ITEM:	
TITLE Generative KAIBoard Main			
SIZE A3	CAGE CODE	DWG NO.	REV
SCALE:	FILE NAME Gen_Ai_Kbd-Main.SchDoc	SHEET 1	OF 11

THIS DOCUMENT AND THE DATA DISCLOSED HEREIN OR HEREWITH IS THE PROPERTY OF SUMASTA TECH AND MAY BE FREELY DISTRIBUTED IN WHOLE. NO RIGHTS ARE RESERVED OR EXPRESS OR IMPLIED WARANTEE GIVEN. THIS DOCUMENT IS SUBJECT TO CHANGE WITHOUT NOTICE

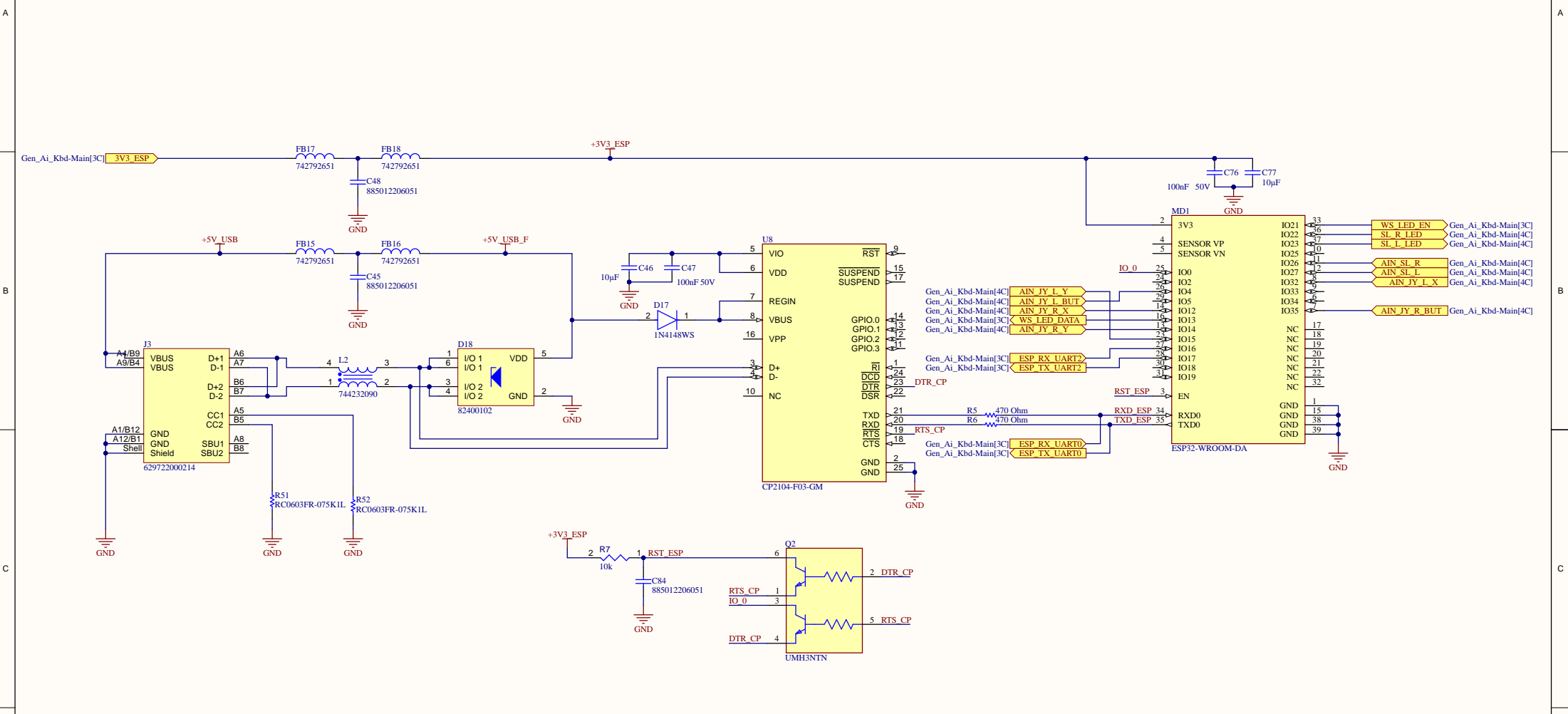
REVISION	DESCRIPTION	DATE	APPROVED



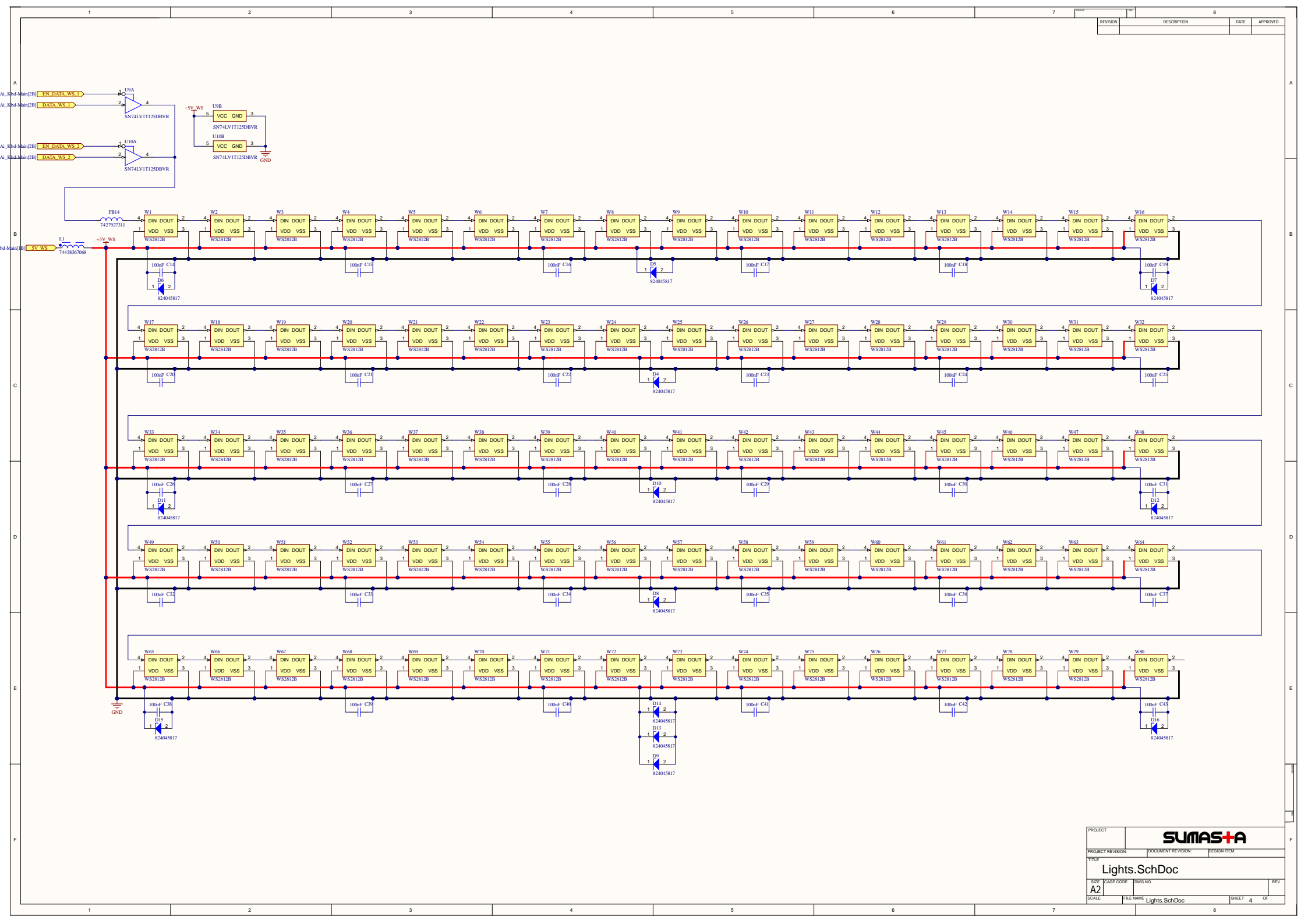
PROJECT		SUMASTA	
PROJECT REVISION:	DOCUMENT REVISION:	DESIGN ITEM:	
TITLE keyboard-Left.SchDoc			
SIZE A3	CAGE CODE	DWG NO.	REV
SCALE:	FILE NAME keyboard-Left.SchDoc	SHEET 2	OF 11

THIS DOCUMENT AND THE DATA DISCLOSED HEREIN OR HEREWITH IS THE PROPERTY OF SUMASTA TECH AND MAY BE FREELY DISTRIBUTED IN WHOLE. NO RIGHTS ARE RESERVED OR EXPRESS OR IMPLIED WARANTEE GIVEN. THIS DOCUMENT IS SUBJECT TO CHANGE WITHOUT NOTICE

REVISION	DESCRIPTION	DATE	APPROVED

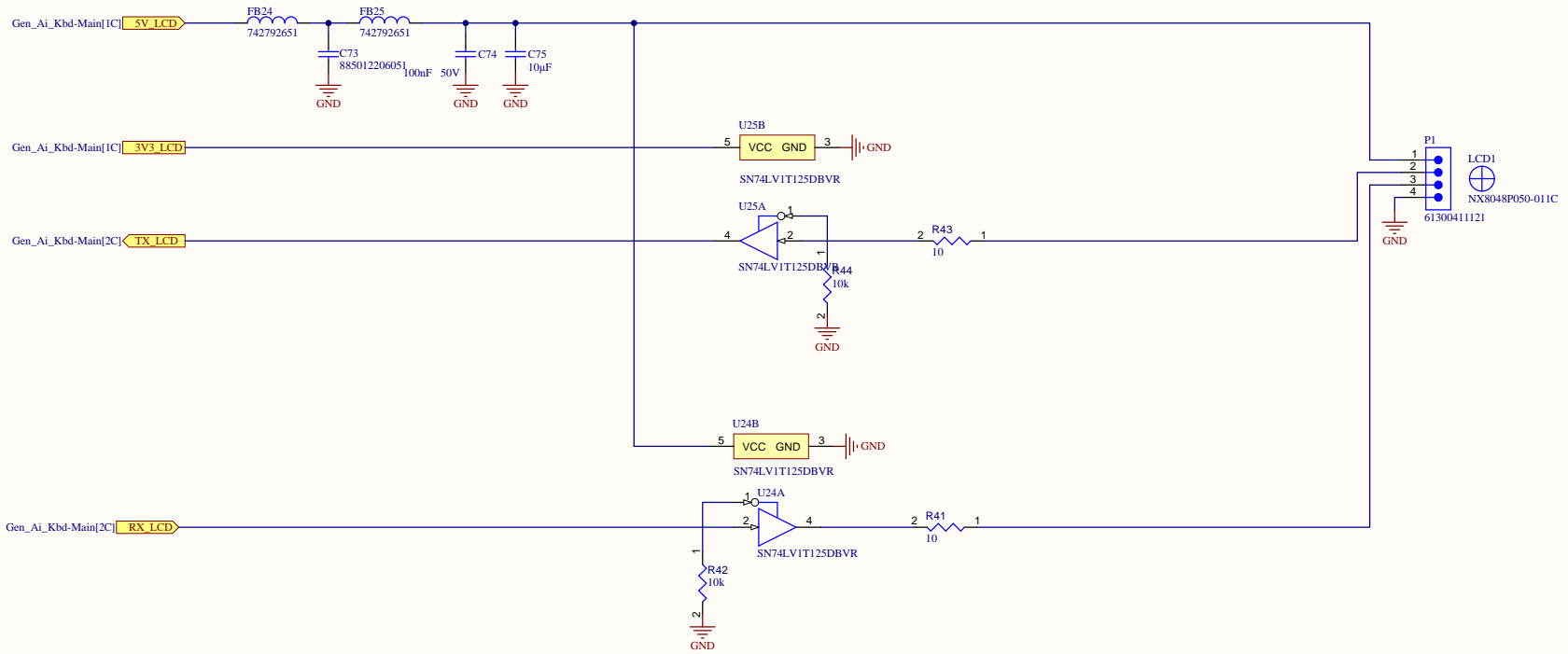


PROJECT		SUMASTA	
PROJECT REVISION:	DOCUMENT REVISION:	DESIGN ITEM:	
TITLE BluetoothHID.SchDoc			
SIZE A3	CAGE CODE	DWG NO.	REV
SCALE:	FILE NAME BluetoothHID.SchDoc	SHEET 3	OF 11



THIS DOCUMENT AND THE DATA DISCLOSED HEREIN OR HEREWITH IS THE PROPERTY OF SUMASTA TECH AND MAY BE FREELY DISTRIBUTED IN WHOLE. NO RIGHTS ARE RESERVED OR EXPRESS OR IMPLIED WARANTEE GIVEN. THIS DOCUMENT IS SUBJECT TO CHANGE WITHOUT NOTICE

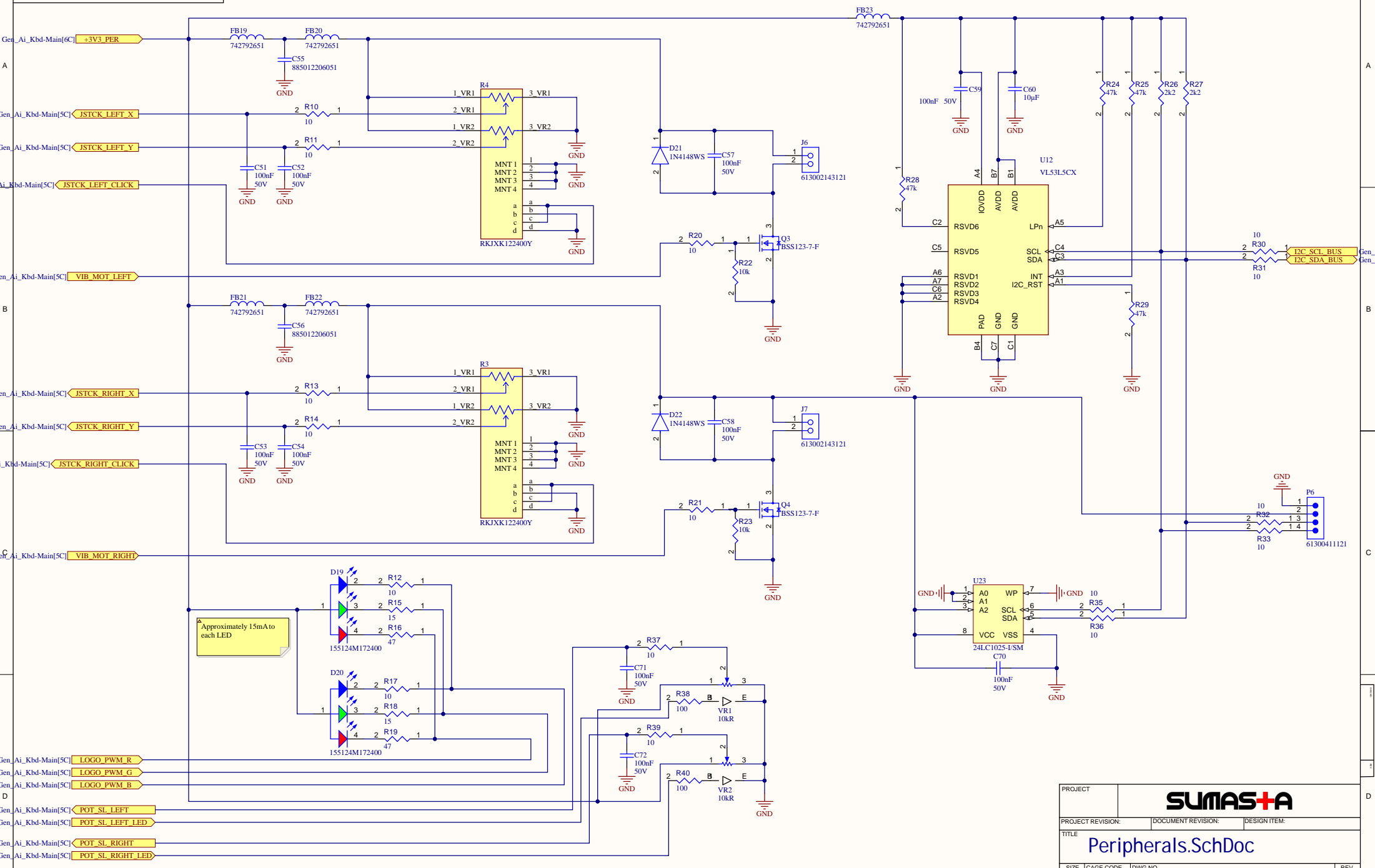
REVISION	DESCRIPTION	DATE	APPROVED



PROJECT	SUMAS+A		
PROJECT REVISION:	DOCUMENT REVISION:	DESIGN ITEM:	
TITLE Display.SchDoc			
SIZE A3	CAGE CODE	DWG NO.	REV
SCALE:	FILE NAME Display.SchDoc	SHEET 5	OF 11

THIS DOCUMENT AND THE DATA DISCLOSED HEREIN OR HEREWITH IS THE PROPERTY OF SUMASTA TECH AND MAY BE FREELY DISTRIBUTED IN WHOLE. NO RIGHTS ARE RESERVED OR EXPRESS OR IMPLIED WARANTEE GIVEN. THIS DOCUMENT IS SUBJECT TO CHANGE WITHOUT NOTICE

REVISION	DESCRIPTION	DATE	APPROVED

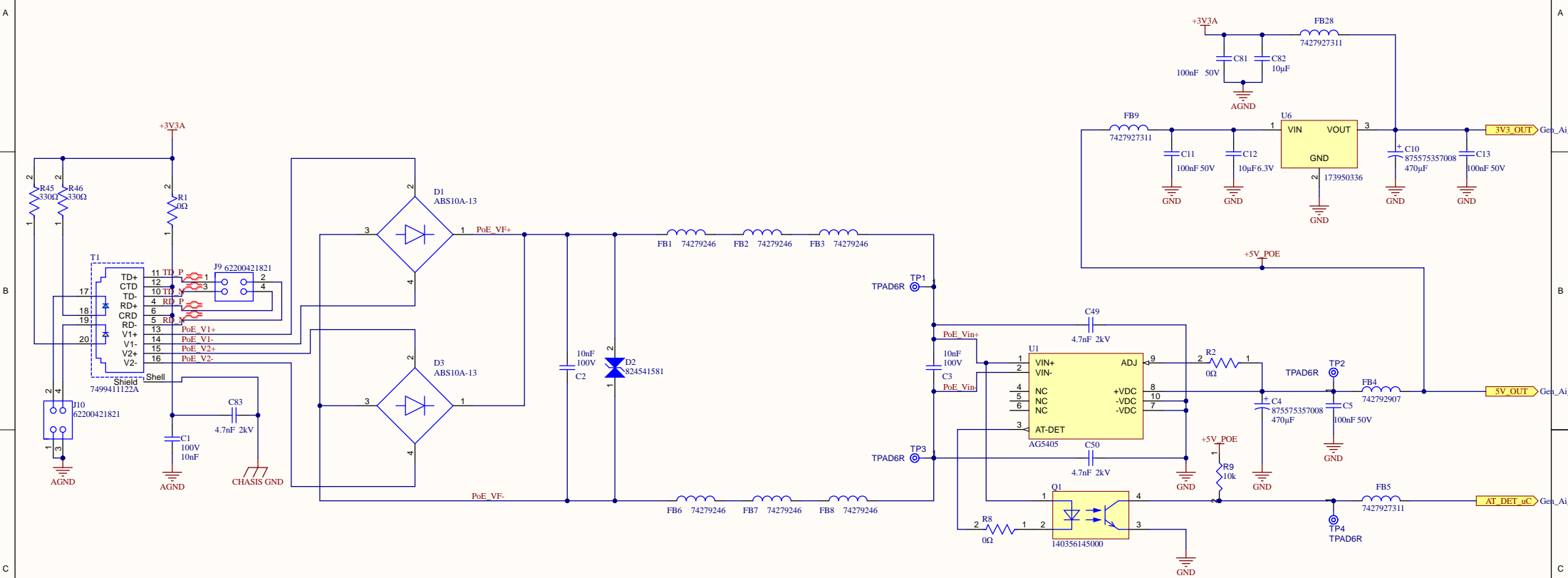


Approximately 15mA to each LED

PROJECT		SUMASTA	
PROJECT REVISION:	DOCUMENT REVISION:	DESIGN ITEM:	
TITLE Peripherals.SchDoc			
SIZE A3	CAGE CODE	DWG NO.	REV
SCALE:	FILE NAME Peripherals.SchDoc	SHEET 6	OF 11

THIS DOCUMENT AND THE DATA DISCLOSED HEREIN OR HEREWITH IS THE PROPERTY OF SUMASTA TECH AND MAY BE FREELY DISTRIBUTED IN WHOLE. NO RIGHTS ARE RESERVED OR EXPRESS OR IMPLIED WARRANTIES GIVEN. THIS DOCUMENT IS SUBJECT TO CHANGE WITHOUT NOTICE

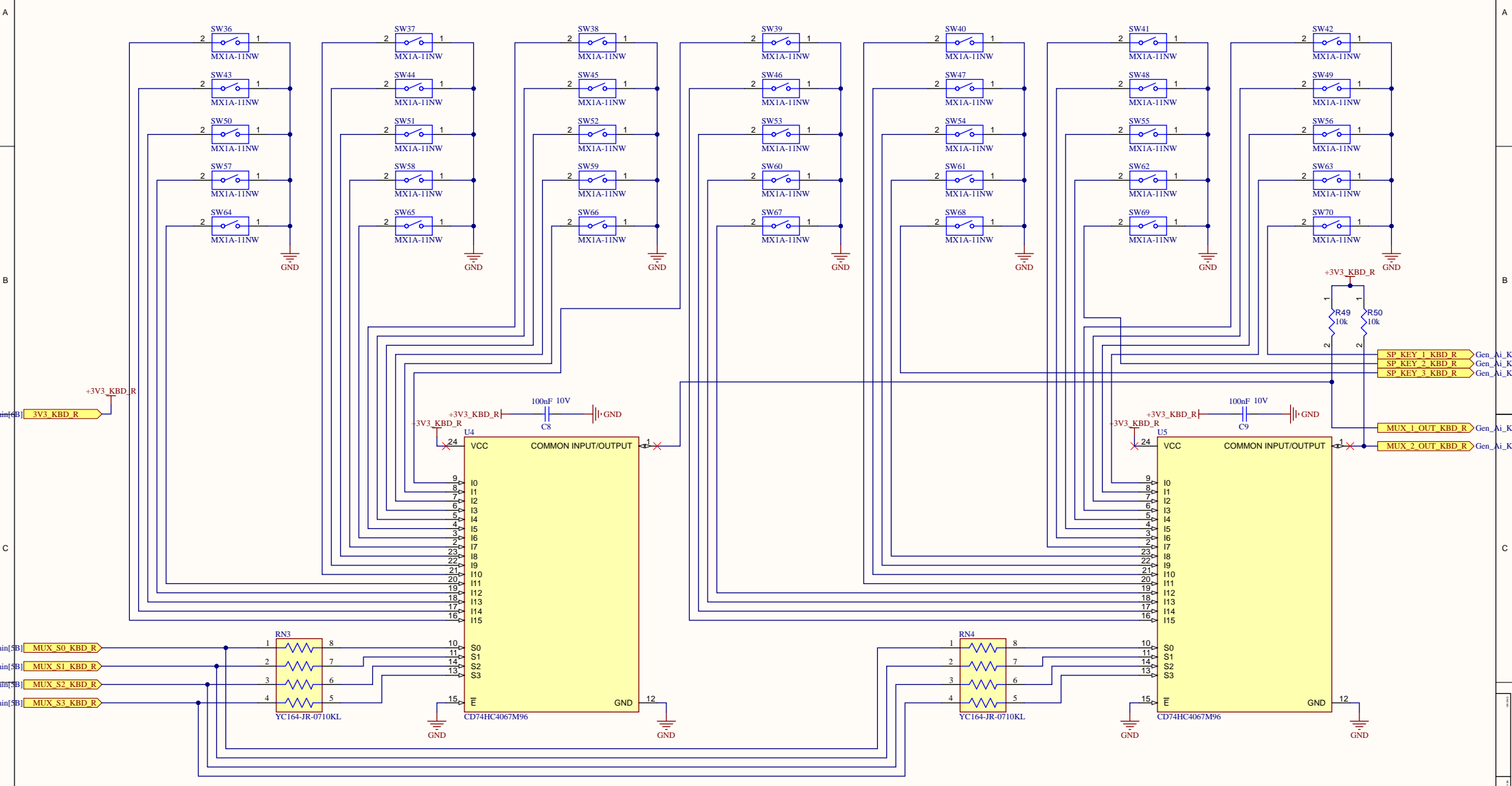
REVISION	DESCRIPTION	DATE	APPROVED



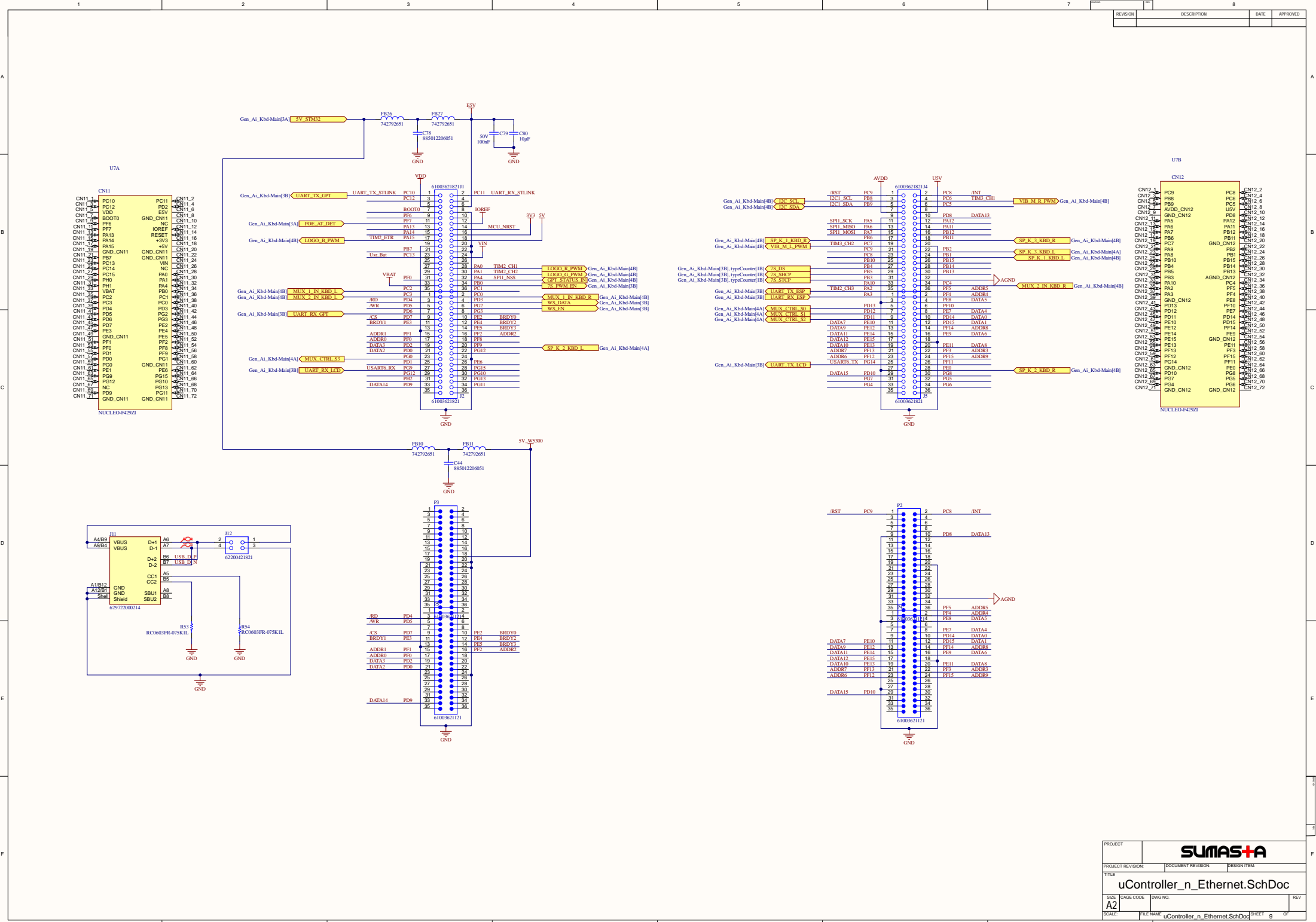
PROJECT		SUMASTA	
PROJECT REVISION:	DOCUMENT REVISION:	DESIGN ITEM:	
TITLE PoE.SchDoc			
SIZE A3	CAGE CODE	DWG NO.	REV
SCALE:	FILE NAME PoE.SchDoc	SHEET 7	OF 11

THIS DOCUMENT AND THE DATA DISCLOSED HEREIN OR HEREWITH IS THE PROPERTY OF SUMASTA TECH AND MAY BE FREELY DISTRIBUTED IN WHOLE. NO RIGHTS ARE RESERVED OR EXPRESS OR IMPLIED WARANTEE GIVEN. THIS DOCUMENT IS SUBJECT TO CHANGE WITHOUT NOTICE

REVISION	DESCRIPTION	DATE	APPROVED

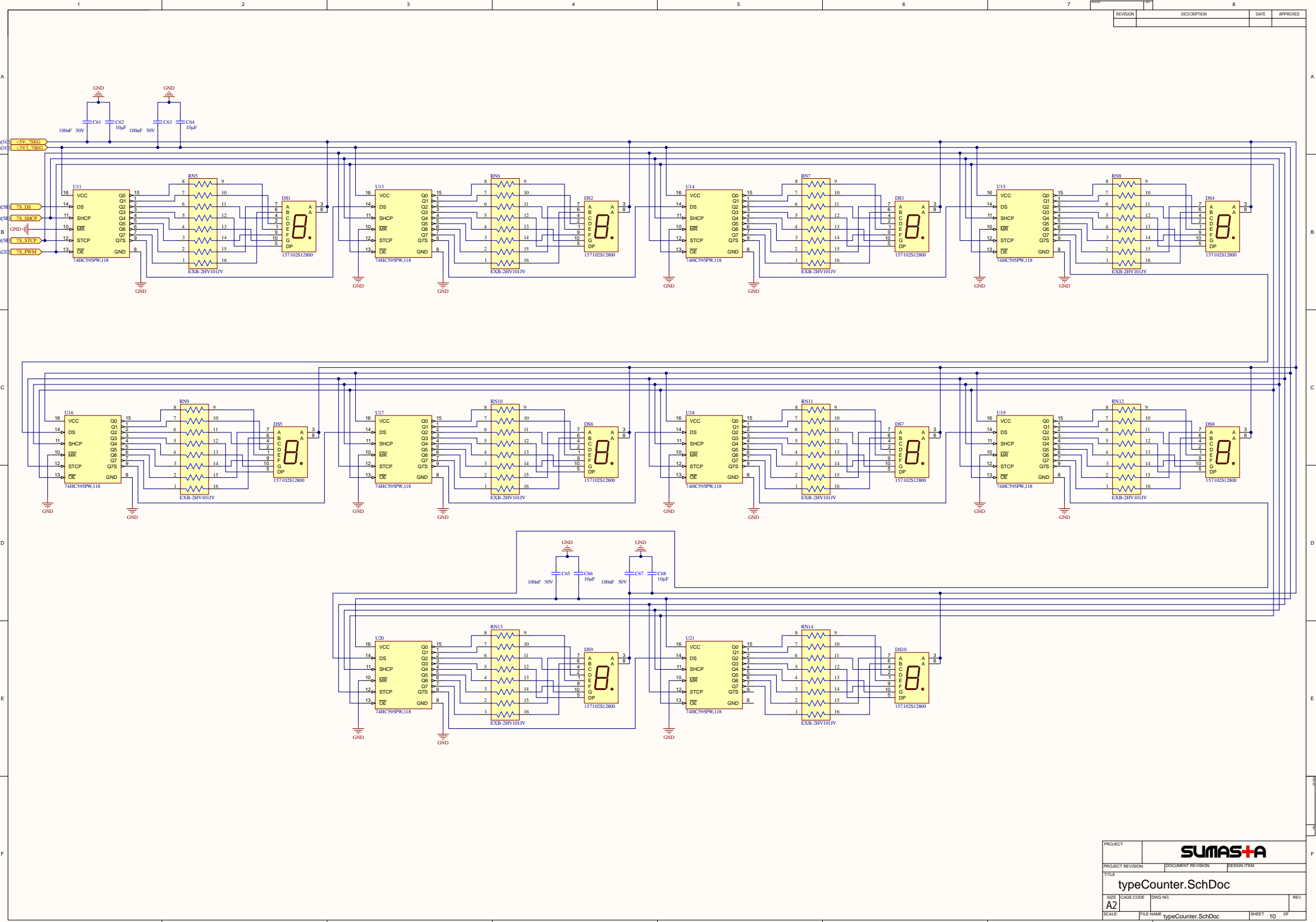


PROJECT		SUMASTA	
PROJECT REVISION:	DOCUMENT REVISION:	DESIGN ITEM:	
TITLE keyboard-Right.SchDoc			
SIZE A3	CAGE CODE	DWG NO.	REV
SCALE:	FILE NAME keyboard-Right.SchDoc	SHEET 8	OF 11



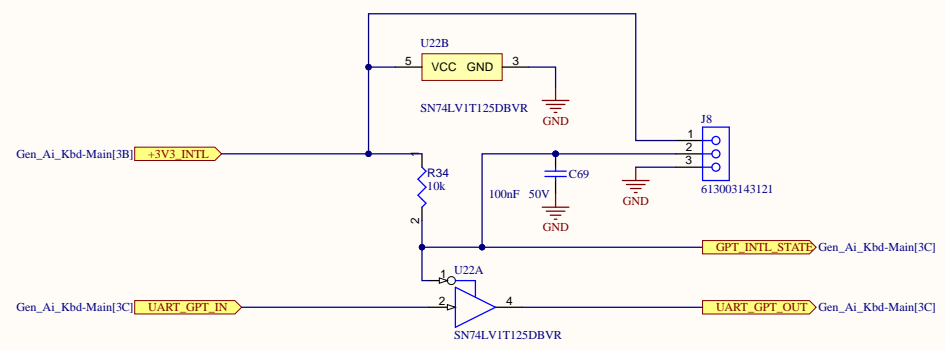
REVISION	DESCRIPTION	DATE	APPROVED

U7A		U7B		CN12	
CN11_1	PC10	CN12_1	PC8	CN12_1	PC8
CN11_2	PC11	CN12_2	PB8	CN12_2	PB8
CN11_3	PC12	CN12_3	PB9	CN12_3	PB9
CN11_4	PC13	CN12_4	PB10	CN12_4	PB10
CN11_5	PC14	CN12_5	PB11	CN12_5	PB11
CN11_6	PC15	CN12_6	PB12	CN12_6	PB12
CN11_7	PC16	CN12_7	PB13	CN12_7	PB13
CN11_8	PC17	CN12_8	PB14	CN12_8	PB14
CN11_9	PC18	CN12_9	PB15	CN12_9	PB15
CN11_10	PC19	CN12_10	PB16	CN12_10	PB16
CN11_11	PC20	CN12_11	PB17	CN12_11	PB17
CN11_12	PC21	CN12_12	PB18	CN12_12	PB18
CN11_13	PC22	CN12_13	PB19	CN12_13	PB19
CN11_14	PC23	CN12_14	PB20	CN12_14	PB20
CN11_15	PC24	CN12_15	PB21	CN12_15	PB21
CN11_16	PC25	CN12_16	PB22	CN12_16	PB22
CN11_17	PC26	CN12_17	PB23	CN12_17	PB23
CN11_18	PC27	CN12_18	PB24	CN12_18	PB24
CN11_19	PC28	CN12_19	PB25	CN12_19	PB25
CN11_20	PC29	CN12_20	PB26	CN12_20	PB26
CN11_21	PC30	CN12_21	PB27	CN12_21	PB27
CN11_22	PC31	CN12_22	PB28	CN12_22	PB28
CN11_23	PC32	CN12_23	PB29	CN12_23	PB29
CN11_24	PC33	CN12_24	PB30	CN12_24	PB30
CN11_25	PC34	CN12_25	PB31	CN12_25	PB31
CN11_26	PC35	CN12_26	PB32	CN12_26	PB32
CN11_27	PC36	CN12_27	PB33	CN12_27	PB33
CN11_28	PC37	CN12_28	PB34	CN12_28	PB34
CN11_29	PC38	CN12_29	PB35	CN12_29	PB35
CN11_30	PC39	CN12_30	PB36	CN12_30	PB36
CN11_31	PC40	CN12_31	PB37	CN12_31	PB37
CN11_32	PC41	CN12_32	PB38	CN12_32	PB38
CN11_33	PC42	CN12_33	PB39	CN12_33	PB39
CN11_34	PC43	CN12_34	PB40	CN12_34	PB40
CN11_35	PC44	CN12_35	PB41	CN12_35	PB41
CN11_36	PC45	CN12_36	PB42	CN12_36	PB42
CN11_37	PC46	CN12_37	PB43	CN12_37	PB43
CN11_38	PC47	CN12_38	PB44	CN12_38	PB44
CN11_39	PC48	CN12_39	PB45	CN12_39	PB45
CN11_40	PC49	CN12_40	PB46	CN12_40	PB46
CN11_41	PC50	CN12_41	PB47	CN12_41	PB47
CN11_42	PC51	CN12_42	PB48	CN12_42	PB48
CN11_43	PC52	CN12_43	PB49	CN12_43	PB49
CN11_44	PC53	CN12_44	PB50	CN12_44	PB50
CN11_45	PC54	CN12_45	PB51	CN12_45	PB51
CN11_46	PC55	CN12_46	PB52	CN12_46	PB52
CN11_47	PC56	CN12_47	PB53	CN12_47	PB53
CN11_48	PC57	CN12_48	PB54	CN12_48	PB54
CN11_49	PC58	CN12_49	PB55	CN12_49	PB55
CN11_50	PC59	CN12_50	PB56	CN12_50	PB56
CN11_51	PC60	CN12_51	PB57	CN12_51	PB57
CN11_52	PC61	CN12_52	PB58	CN12_52	PB58
CN11_53	PC62	CN12_53	PB59	CN12_53	PB59
CN11_54	PC63	CN12_54	PB60	CN12_54	PB60
CN11_55	PC64	CN12_55	PB61	CN12_55	PB61
CN11_56	PC65	CN12_56	PB62	CN12_56	PB62
CN11_57	PC66	CN12_57	PB63	CN12_57	PB63
CN11_58	PC67	CN12_58	PB64	CN12_58	PB64
CN11_59	PC68	CN12_59	PB65	CN12_59	PB65
CN11_60	PC69	CN12_60	PB66	CN12_60	PB66
CN11_61	PC70	CN12_61	PB67	CN12_61	PB67
CN11_62	PC71	CN12_62	PB68	CN12_62	PB68
CN11_63	PC72	CN12_63	PB69	CN12_63	PB69
CN11_64	PC73	CN12_64	PB70	CN12_64	PB70
CN11_65	PC74	CN12_65	PB71	CN12_65	PB71
CN11_66	PC75	CN12_66	PB72	CN12_66	PB72
CN11_67	PC76	CN12_67	PB73	CN12_67	PB73
CN11_68	PC77	CN12_68	PB74	CN12_68	PB74
CN11_69	PC78	CN12_69	PB75	CN12_69	PB75
CN11_70	PC79	CN12_70	PB76	CN12_70	PB76
CN11_71	PC80	CN12_71	PB77	CN12_71	PB77
CN11_72	PC81	CN12_72	PB78	CN12_72	PB78
CN11_73	PC82	CN12_73	PB79	CN12_73	PB79
CN11_74	PC83	CN12_74	PB80	CN12_74	PB80
CN11_75	PC84	CN12_75	PB81	CN12_75	PB81
CN11_76	PC85	CN12_76	PB82	CN12_76	PB82
CN11_77	PC86	CN12_77	PB83	CN12_77	PB83
CN11_78	PC87	CN12_78	PB84	CN12_78	PB84
CN11_79	PC88	CN12_79	PB85	CN12_79	PB85
CN11_80	PC89	CN12_80	PB86	CN12_80	PB86
CN11_81	PC90	CN12_81	PB87	CN12_81	PB87
CN11_82	PC91	CN12_82	PB88	CN12_82	PB88
CN11_83	PC92	CN12_83	PB89	CN12_83	PB89
CN11_84	PC93	CN12_84	PB90	CN12_84	PB90
CN11_85	PC94	CN12_85	PB91	CN12_85	PB91
CN11_86	PC95	CN12_86	PB92	CN12_86	PB92
CN11_87	PC96	CN12_87	PB93	CN12_87	PB93
CN11_88	PC97	CN12_88	PB94	CN12_88	PB94
CN11_89	PC98	CN12_89	PB95	CN12_89	PB95
CN11_90	PC99	CN12_90	PB96	CN12_90	PB96
CN11_91	PC100	CN12_91	PB97	CN12_91	PB97
CN11_92	PC101	CN12_92	PB98	CN12_92	PB98
CN11_93	PC102	CN12_93	PB99	CN12_93	PB99
CN11_94	PC103	CN12_94	PB100	CN12_94	PB100
CN11_95	PC104	CN12_95	PB101	CN12_95	PB101
CN11_96	PC105	CN12_96	PB102	CN12_96	PB102
CN11_97	PC106	CN12_97	PB103	CN12_97	PB103
CN11_98	PC107	CN12_98	PB104	CN12_98	PB104
CN11_99	PC108	CN12_99	PB105	CN12_99	PB105
CN11_100	PC109	CN12_100	PB106	CN12_100	PB106
CN11_101	PC110	CN12_101	PB107	CN12_101	PB107
CN11_102	PC111	CN12_102	PB108	CN12_102	PB108
CN11_103	PC112	CN12_103	PB109	CN12_103	PB109
CN11_104	PC113	CN12_104	PB110	CN12_104	PB110
CN11_105	PC114	CN12_105	PB111	CN12_105	PB111
CN11_106	PC115	CN12_106	PB112	CN12_106	PB112
CN11_107	PC116	CN12_107	PB113	CN12_107	PB113
CN11_108	PC117	CN12_108	PB114	CN12_108	PB114
CN11_109	PC118	CN12_109	PB115	CN12_109	PB115
CN11_110	PC119	CN12_110	PB116	CN12_110	PB116
CN11_111	PC120	CN12_111	PB117	CN12_111	PB117
CN11_112	PC121	CN12_112	PB118	CN12_112	PB118
CN11_113	PC122	CN12_113	PB119	CN12_113	PB119
CN11_114	PC123	CN12_114	PB120	CN12_114	PB120
CN11_115	PC124	CN12_115	PB121	CN12_115	PB121
CN11_116	PC125	CN12_116	PB122	CN12_116	PB122
CN11_117	PC126	CN12_117	PB123	CN12_117	PB123
CN11_118	PC127	CN12_118	PB124	CN12_118	PB124
CN11_119	PC128	CN12_119	PB125	CN12_119	PB125
CN11_120	PC129	CN12_120	PB126	CN12_120	PB126
CN11_121	PC130	CN12_121	PB127	CN12_121	PB127
CN11_122	PC131	CN12_122	PB128	CN12_122	PB128
CN11_123	PC132	CN12_123	PB129	CN12_123	PB129
CN11_124	PC133	CN12_124	PB130	CN12_124	PB130
CN11_125	PC134	CN12_125	PB131	CN12_125	PB131
CN11_126	PC135	CN12_126	PB132	CN12_126	PB132
CN11_127	PC136	CN12_127	PB133	CN12_127	PB133
CN11_128	PC137	CN12_128	PB134	CN12_128	PB134
CN11_129	PC138	CN12_129	PB135	CN12_129	PB135
CN11_130	PC139	CN12_130	PB136	CN12_130	PB136
CN11_131	PC140	CN12_131	PB137	CN12_131	PB137
CN11_132	PC141	CN12_132	PB138	CN12_132	PB138
CN11_133	PC142	CN12_133	PB139	CN12_133	PB139
CN11_134	PC143	CN12_134	PB140	CN12_134	PB140
CN11_135	PC144	CN12_135	PB141	CN12_135	PB141
CN11_136	PC145	CN12_136	PB142	CN12_136	PB142
CN11_137	PC146	CN12_137	PB143	CN12_137	PB143
CN11_138	PC147	CN12_138	PB144	CN12_138	PB144
CN11_139	PC148	CN12_139	PB145	CN12_139	PB145
CN11_140	PC149	CN12_140	PB146	CN12_140	PB146
CN11_141	PC150	CN12_141	PB147	CN12_141	PB147
CN11_142	PC151	CN12_142	PB148	CN12_142	PB148
CN11_143	PC152	CN12_143	PB149	CN12_143	PB149
CN11_144	PC153	CN12_144	PB150	CN12_144	PB150
CN11_145	PC154	CN12_145	PB151	CN12_145	PB151
CN11_146	PC155	CN12_146	PB152	CN12_146	PB152
CN11_147	PC156	CN12_147	PB153	CN12_147	PB153
CN11_148	PC157	CN12_148	PB154	CN12_148	PB154
CN11_149	PC158	CN12_149	PB155	CN12_149	PB155
CN11_150	PC159	CN12_150	PB156	CN12_150	PB156
CN11_151	PC160	CN12_151	PB157	CN12_151	PB157
CN11_152	PC161	CN12_152	PB158	CN12_152	PB158
CN11_153	PC162	CN12_153	PB159	CN12_153	PB159
CN11_154	PC163	CN12_154	PB160	CN12_154	PB160
CN11_155	PC164	CN12_155	PB161	CN12_155	PB161
CN11_156	PC165	CN12_156	PB162	CN12_156	PB162
CN11_157	PC166	CN12_157	PB163	CN12_157	PB163
CN11_158	PC167	CN12_158	PB164	CN12_158	PB164
CN11_159	PC168	CN12_159	PB165	CN12_159	PB165
CN11_160	PC169	CN12_160	PB166	CN12_160	PB166
CN11_161	PC170	CN12_161	PB167	CN12_161	PB167
CN11_162	PC171	CN12_162	PB168	CN12_162	PB168
CN11_163	PC172	CN12_163	PB169	CN12_163	PB169
CN11_164	PC173	CN12_164	PB170	CN12_164	PB170
CN11_165	PC174	CN12_165	PB171	CN12_165	PB171
CN11_166	PC175	CN12_166	PB172	CN12_166	PB172

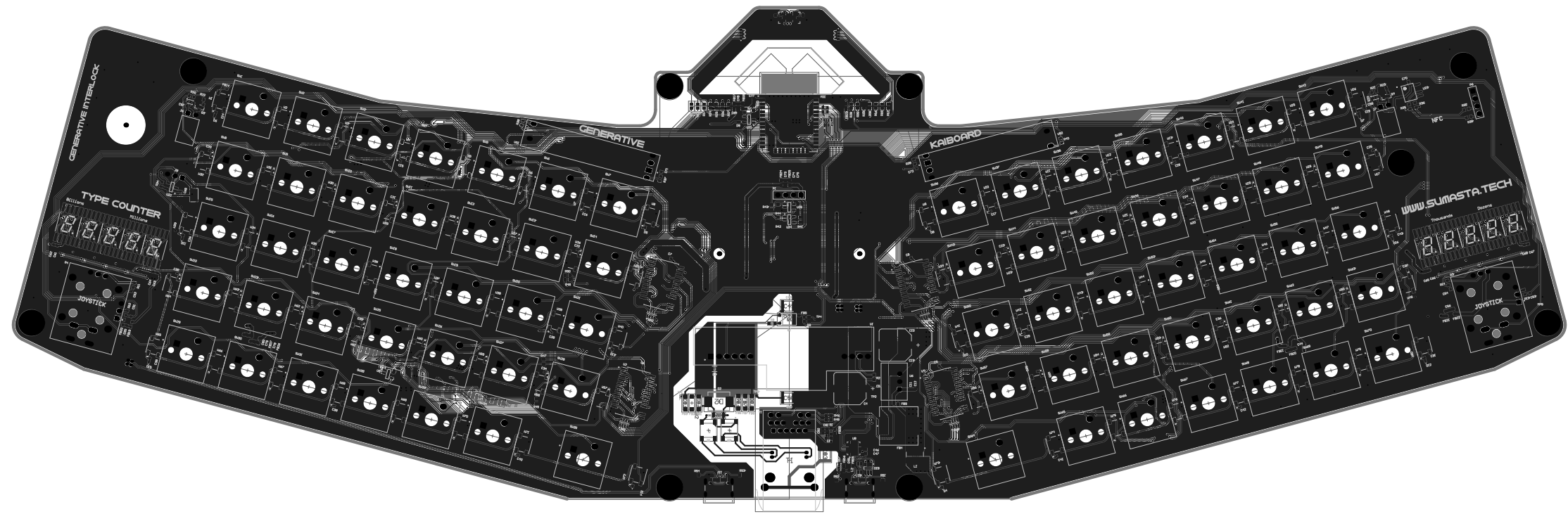


THIS DOCUMENT AND THE DATA DISCLOSED HEREIN OR HEREWITH IS THE PROPERTY OF SUMASTA TECH AND MAY BE FREELY DISTRIBUTED IN WHOLE. NO RIGHTS ARE RESERVED OR EXPRESS OR IMPLIED WARANTEE GIVEN. THIS DOCUMENT IS SUBJECT TO CHANGE WITHOUT NOTICE

REVISION	DESCRIPTION	DATE	APPROVED



PROJECT		SUMAS+A	
PROJECT REVISION:	DOCUMENT REVISION:	DESIGN ITEM:	
TITLE chatGPTInterlock.SchDoc			
SIZE A3	CAGE CODE	DWG NO.	REV
SCALE:	FILE NAME chatGPTInterlock.SchDoc	SHEET 11	OF 11



Doc #	Name	Description	Supplier	Revision ID	Revision State	Quantity	Ordered Status	Manufacturer 1	Manufacturer Part Number 1	Manufacturer 1 Description 1	Supplier 1	Supplier Part Number 1	Supplier Unit Price 1	Supplier Subtotal 1	
8801226614	WCAP-C5GP	MLT-layer Ceramic Chip Capacitor, General Purpose, size 0603, X7R, 100nf, 100VDC	21			Stock									
8801226807	WCAP-C5GP	MLT-layer Ceramic Chip Capacitor, General Purpose, size 1206, X7R, 10nf, 100VDC	22			210ch									
8767532308	8767532308 Cap, 4.7uF, 16V, Alu, Elec, Hybrid, SMD, RoHS Compliant, Yes	24	C10			Ordered 4		Wurth Electronics	8767532308		Sign-Key	752-8767532308-1-ND	3.10	4.16	
8801226809	WCAP-C5GP	MLT-layer Ceramic Chip Capacitor, General Purpose, size 0603, X7R, 100nf, 50VDC	25			210ch									
8801226603	WCAP-C5GP	MLT-layer Ceramic Chip Capacitor, General Purpose, size 0603, X7R, 100nf, 100VDC	26			4	Stock								
8801226606	WCAP-C5GP	MLT-layer Ceramic Chip Capacitor, General Purpose, size 0603, X5R, 10uF, 6.3VDC	27			11	Stock								
8801226808	WCAP-C5GP	MLT-layer Ceramic Chip Capacitor, General Purpose, size 0603, X7R, 100nf, 100VDC	28			30	Stock								
8801226861	8801226861 Cap Cer 0.68uF 16V X7R 0603	29	C4, C5, C6, C5C, C5D, C5E, C5F, C5G, C5H, C5J, C5K, C5L, C5M, C5N, C5O, C5P, C5Q, C5R, C5S, C5T, C5U, C5V, C5W, C5X, C5Y, C5Z, C5A, C5B, C5C, C5D, C5E, C5F, C5G, C5H, C5I, C5J, C5K, C5L, C5M, C5N, C5O, C5P, C5Q, C5R, C5S, C5T, C5U, C5V, C5W, C5X, C5Y, C5Z			210ch		Wurth Electronics	8801226861	Volume Production	Farnell	264025	0.0704	0.17874	
8804221208	8804221208 1000PF 200V X7R 1012 10% MLT-layer Ceramic Capacitors	30	C6, C7, C8, C8A, C8B, C8C, C8D, C8E, C8F, C8G, C8H, C8I, C8J, C8K, C8L, C8M, C8N, C8O, C8P, C8Q, C8R, C8S, C8T, C8U, C8V, C8W, C8X, C8Y, C8Z, C8A, C8B, C8C, C8D, C8E, C8F, C8G, C8H, C8I, C8J, C8K, C8L, C8M, C8N, C8O, C8P, C8Q, C8R, C8S, C8T, C8U, C8V, C8W, C8X, C8Y, C8Z			Ordered 9		Wurth Electronics	8804221208	Volume Production	Farnell	262636	0.2088	2.25	
88010413	BRIDGE RECT 39A04E 1KV 1A 60VPA	31	D1			Cart Display 14		Diodes	88010413		Farnell	372782	0.0760	0.9000	
82484181	82484181 TVS Diode (Wurth Electronics) ESD4181 TVS diode	32	D4, D5, D6, D7, D8, D9, D10, D11, D12, D13, D14, D15, D16			Ordered 4		Wurth Electronics	82484181	Volume Production	Sign-Key	752-7821-1-ND	0.89	0.89	
82404817	82404817 TVs Diode, Unidir, 7V, Dfn16 to RoHS Compliant, Yes	33	D17, D21, D22			Ordered 20		Wurth Electronics	82404817		Mouser	750-82404817	0.567	7.37	
18414895	0000 GEN PURP 5V 150MA S0322P	34	U1, U2, U3, U4, U5, U6, U7, U8, U9, U10, U11, U12, U13, U14, U15, U16, U17, U18, U19, U20, U21, U22, U23, U24, U25, U26, U27, U28, U29, U30, U31, U32, U33, U34, U35, U36, U37, U38, U39, U40, U41, U42, U43, U44, U45, U46, U47, U48, U49, U50, U51, U52, U53, U54, U55, U56, U57, U58, U59, U60			Cart Display 25		ON Semiconductor / Fairchild	18414895	Volume Production	Newark	884787	0.02	0.094	
8249030	8249030	35	S18			Ordered 4		Wurth Electronics	8249030	Volume Production	Mouser	750-8249030	0.89	0.89	
15512M472400	15512M472400 W-47uf SMT Full-color Side View	36	D30, D31, D32, D33, D34, D35, D36, D37, D38, D39, D40, D41, D42, D43, D44, D45, D46, D47, D48, D49, D50, D51, D52, D53, D54, D55, D56, D57, D58, D59, D60			Ordered 6		Wurth Electronics	15512M472400		Sign-Key	752-15512M472400-1-ND	0.59	1.14	
157102512800	157102512800 WL-STDS 7 Segments Display SMT Single Digit	37	D61, D62, D63, D64, D65, D66, D67, D68, D69, D70, D71, D72, D73, D74, D75, D76, D77, D78, D79, D80, D81, D82, D83, D84, D85, D86, D87, D88, D89, D90, D91, D92, D93, D94, D95, D96, D97, D98, D99, D100			Ordered 14		Wurth Electronics	157102512800		Sign-Key	752-157102512800-1-ND	3.14	31.4	
1427926	WE-CIP SMT EM Suppression Ferrite Bead, size 180, 1000Ohm, 1.5A	38	F11, F12, F13, F14, F15, F16, F17, F18			Ordered 10		Wurth Electronics	1427926		Sign-Key	752-1427926ACT-ND	0.3	1.8	
1427927	1427927	39	F19, F20, F21, F22, F23, F24, F25, F26, F27, F28, F29, F30, F31, F32, F33, F34, F35, F36, F37, F38, F39, F40, F41, F42, F43, F44, F45, F46, F47, F48, F49, F50, F51, F52, F53, F54, F55, F56, F57, F58, F59, F60, F61, F62, F63, F64, F65, F66, F67, F68, F69, F70, F71, F72, F73, F74, F75, F76, F77, F78, F79, F80, F81, F82, F83, F84, F85, F86, F87, F88, F89, F90, F91, F92, F93, F94, F95, F96, F97, F98, F99, F100			Ordered 10		Wurth Electronics	1427927	Volume Production	Farnell	292564	2.18	2.28	
142792711	142792711	40	F81, F82, F83, F84, F85, F86, F87, F88, F89, F90, F91, F92, F93, F94, F95, F96, F97, F98, F99, F100			Ordered 10		Wurth Electronics	142792711	Volume Production	Sign-Key	752-236-1-ND	0.18	0.48	
14279261	14279261	41	F101, F102, F103, F104, F105, F106, F107, F108, F109, F110, F111, F112, F113, F114, F115, F116, F117, F118, F119, F120, F121, F122, F123, F124, F125, F126, F127			Ordered 20		Wurth Electronics	14279261	Volume Production	Newark	246567	0.103	1.86	
6120247821	6120247821	42	G1, G2, G3, G4, G5, G6, G7, G8, G9, G10, G11, G12, G13, G14, G15, G16, G17, G18, G19, G20, G21, G22, G23, G24, G25, G26, G27, G28, G29, G30, G31, G32, G33, G34, G35, G36, G37, G38, G39, G40, G41, G42, G43, G44, G45, G46, G47, G48, G49, G50, G51, G52, G53, G54, G55, G56, G57, G58, G59, G60, G61, G62, G63, G64, G65, G66, G67, G68, G69, G70, G71, G72, G73, G74, G75, G76, G77, G78, G79, G80, G81, G82, G83, G84, G85, G86, G87, G88, G89, G90, G91, G92, G93, G94, G95, G96, G97, G98, G99, G100			Ordered 6		Wurth Electronics	6120247821		Farnell	444037	2.60	5.07	
6272200014	6272200014	43	H1, H2, H3, H4, H5, H6, H7, H8, H9, H10, H11, H12, H13, H14, H15, H16, H17, H18, H19, H20, H21, H22, H23, H24, H25, H26, H27, H28, H29, H30, H31, H32, H33, H34, H35, H36, H37, H38, H39, H40, H41, H42, H43, H44, H45, H46, H47, H48, H49, H50, H51, H52, H53, H54, H55, H56, H57, H58, H59, H60, H61, H62, H63, H64, H65, H66, H67, H68, H69, H70, H71, H72, H73, H74, H75, H76, H77, H78, H79, H80, H81, H82, H83, H84, H85, H86, H87, H88, H89, H90, H91, H92, H93, H94, H95, H96, H97, H98, H99, H100			Ordered 4		Wurth Electronics	6272200014		Farnell	6661110	0.64	1.83	
6120247821	6120247821	44	I1, I2, I3, I4, I5, I6, I7, I8, I9, I10, I11, I12, I13, I14, I15, I16, I17, I18, I19, I20, I21, I22, I23, I24, I25, I26, I27, I28, I29, I30, I31, I32, I33, I34, I35, I36, I37, I38, I39, I40, I41, I42, I43, I44, I45, I46, I47, I48, I49, I50, I51, I52, I53, I54, I55, I56, I57, I58, I59, I60, I61, I62, I63, I64, I65, I66, I67, I68, I69, I70, I71, I72, I73, I74, I75, I76, I77, I78, I79, I80, I81, I82, I83, I84, I85, I86, I87, I88, I89, I90, I91, I92, I93, I94, I95, I96, I97, I98, I99, I100			Ordered 4		Wurth Electronics	6120247821		Newark	8844112	0.902	3.61	
14423096	14423096	45	J1, J2, J3, J4, J5, J6, J7, J8, J9, J10, J11, J12, J13, J14, J15, J16, J17, J18, J19, J20, J21, J22, J23, J24, J25, J26, J27, J28, J29, J30, J31, J32, J33, J34, J35, J36, J37, J38, J39, J40, J41, J42, J43, J44, J45, J46, J47, J48, J49, J50, J51, J52, J53, J54, J55, J56, J57, J58, J59, J60, J61, J62, J63, J64, J65, J66, J67, J68, J69, J70, J71, J72, J73, J74, J75, J76, J77, J78, J79, J80, J81, J82, J83, J84, J85, J86, J87, J88, J89, J90, J91, J92, J93, J94, J95, J96, J97, J98, J99, J100			Ordered 4		Wurth Electronics	14423096		Newark	8941190	0.70	2.81	
14423096	14423096	46	K1, K2, K3, K4, K5, K6, K7, K8, K9, K10, K11, K12, K13, K14, K15, K16, K17, K18, K19, K20, K21, K22, K23, K24, K25, K26, K27, K28, K29, K30, K31, K32, K33, K34, K35, K36, K37, K38, K39, K40, K41, K42, K43, K44, K45, K46, K47, K48, K49, K50, K51, K52, K53, K54, K55, K56, K57, K58, K59, K60, K61, K62, K63, K64, K65, K66, K67, K68, K69, K70, K71, K72, K73, K74, K75, K76, K77, K78, K79, K80, K81, K82, K83, K84, K85, K86, K87, K88, K89, K90, K91, K92, K93, K94, K95, K96, K97, K98, K99, K100			Ordered 4		Wurth Electronics	14423096		Volume Production	Newark	897247	0.62	0.83
NSI00000101C	NSI00000101C	47	L1, L2, L3, L4, L5, L6, L7, L8, L9, L10, L11, L12, L13, L14, L15, L16, L17, L18, L19, L20, L21, L22, L23, L24, L25, L26, L27, L28, L29, L30, L31, L32, L33, L34, L35, L36, L37, L38, L39, L40, L41, L42, L43, L44, L45, L46, L47, L48, L49, L50, L51, L52, L53, L54, L55, L56, L57, L58, L59, L60, L61, L62, L63, L64, L65, L66, L67, L68, L69, L70, L71, L72, L73, L74, L75, L76, L77, L78, L79, L80, L81, L82, L83, L84, L85, L86, L87, L88, L89, L90, L91, L92, L93, L94, L95, L96, L97, L98, L99, L100			Ordered 1		RF Solutions	NSI00000101C	Volume Production					
NSP12-W8000A-DA	NSP12-W8000A-DA	48	M1, M2, M3, M4, M5, M6, M7, M8, M9, M10, M11, M12, M13, M14, M15, M16, M17, M18, M19, M20, M21, M22, M23, M24, M25, M26, M27, M28, M29, M30, M31, M32, M33, M34, M35, M36, M37, M38, M39, M40, M41, M42, M43, M44, M45, M46, M47, M48, M49, M50, M51, M52, M53, M54, M55, M56, M57, M58, M59, M60, M61, M62, M63, M64, M65, M66, M67, M68, M69, M70, M71, M72, M73, M74, M75, M76, M77, M78, M79, M80, M81, M82, M83, M84, M85, M86, M87, M88, M89, M90, M91, M92, M93, M94, M95, M96, M97, M98, M99, M100			Cart Display 3		Space Systems	NSP12-W8000A-DA (AMB)						
766003	766003	49	N1, N2, N3, N4, N5, N6, N7, N8, N9, N10, N11, N12, N13, N14, N15, N16, N17, N18, N19, N20, N21, N22, N23, N24, N25, N26, N27, N28, N29, N30, N31, N32, N33, N34, N35, N36, N37, N38, N39, N40, N41, N42, N43, N44, N45, N46, N47, N48, N49, N50, N51, N52, N53, N54, N55, N56, N57, N58, N59, N60, N61, N62, N63, N64, N65, N66, N67, N68, N69, N70, N71, N72, N73, N74, N75, N76, N77, N78, N79, N80, N81, N82, N83, N84, N85, N86, N87, N88, N89, N90, N91, N92, N93, N94, N95, N96, N97, N98, N99, N100			Ordered 10		Wurth Electronics	766003	Volume Production	Farnell	240784	2.23	22.32	
6130041132	6130041132	50	O1, O2, O3, O4, O5, O6, O7, O8, O9, O10, O11, O12, O13, O14, O15, O16, O17, O18, O19, O20, O21, O22, O23, O24, O25, O26, O27, O28, O29, O30, O31, O32, O33, O34, O35, O36, O37, O38, O39, O40, O41, O42, O43, O44, O45, O46, O47, O48, O49, O50, O51, O52, O53, O54, O55, O56, O57, O58, O59, O60, O61, O62, O63, O64, O65, O66, O67, O68, O69, O70, O71, O72, O73, O74, O75, O76, O77, O78, O79, O80, O81, O82, O83, O84, O85, O86, O87, O88, O89, O90, O91, O92, O93, O94, O95, O96, O97, O98, O99, O100			Ordered 6		Wurth Electronics	6130041132	Volume Production	Sign-Key	752-537-ND	0.10	0.38	
6130041132	6130041132	51	P1, P2, P3, P4, P5, P6, P7, P8, P9, P10, P11, P12, P13, P14, P15, P16, P17, P18, P19, P20, P21, P22, P23, P24, P25, P26, P27, P28, P29, P30, P31, P32, P33, P34, P35, P36, P37, P38, P39, P40, P41, P42, P43, P44, P45, P46, P47, P48, P49, P50, P51, P52, P53, P54, P55, P56, P57, P58, P59, P60, P61, P62, P63, P64, P65, P66, P67, P68, P69, P70, P71, P72, P73, P74, P75, P76, P77, P78, P79, P80, P81, P82, P83, P84, P85, P86, P87, P88, P89, P90, P91, P92, P93, P94, P95, P96, P97, P98, P99, P100			Ordered 6		Wurth Electronics	6130041132	Volume Production	Mouser	750-430300121	5.45	0.17	
1402614804	1402614804	52	Q1, Q2, Q3, Q4, Q5, Q6, Q7, Q8, Q9, Q10, Q11, Q12, Q13, Q14, Q15, Q16, Q17, Q18, Q19, Q20, Q21, Q22, Q23, Q24, Q25, Q26, Q27, Q28, Q29, Q30, Q31, Q32, Q33, Q34, Q35, Q36, Q37, Q38, Q39, Q40, Q41, Q42, Q43, Q44, Q45, Q46, Q47, Q48, Q49, Q50, Q51, Q52, Q53, Q54, Q55, Q56, Q57, Q58, Q59, Q60, Q61, Q62, Q63, Q64, Q65, Q66, Q67, Q68, Q69, Q70, Q71, Q72, Q73, Q74, Q75, Q76, Q77, Q78, Q79, Q80, Q81, Q82, Q83, Q84, Q85, Q86, Q87, Q88, Q89, Q90, Q91, Q92, Q93, Q94, Q95, Q96, Q97, Q98, Q99, Q100			Ordered 4		Wurth Electronics	1402614804		Volume Production	Farnell	301609	0.100	0.34
1402614804	1402614804	53	R1, R2, R3, R4, R5, R6, R7, R8, R9, R10, R11, R12, R13, R14, R15, R16, R17, R18, R19, R20, R21, R22, R23, R24, R25, R26, R27, R28, R29, R30, R31, R32, R33, R34, R35, R36, R37, R38, R39, R40, R41, R42, R43, R44, R45, R46, R47, R48, R49, R50, R51, R52, R53, R54, R55, R56, R57, R58, R59, R60, R61, R62, R63, R64, R65, R66, R67, R68, R69, R70, R71, R72, R73, R74, R75, R76, R77, R78, R79, R80, R81, R82, R83, R84, R85, R86, R87, R88, R89, R90, R91, R92, R93, R94, R95, R96, R97, R98, R99, R100			Cart Display 10		RF Solutions	1402614804		Volume Production	Mouser	752-104-2076	0.21	0.21
85523277	85523277	54	S1, S2, S3, S4, S5, S6, S7, S8, S9, S10, S11, S12, S13, S14, S15, S16, S17, S18, S19, S20, S21, S22, S23, S24, S25, S26, S27, S28, S29, S30, S31, S32, S33, S34, S35, S36, S37, S38, S39, S40, S41, S42, S43, S44, S45, S46, S47, S48, S49, S50, S51, S52, S53, S54, S55, S56, S57, S58, S59, S60, S61, S62, S63, S64, S65, S66, S67, S68, S69, S70, S71, S72, S73, S74, S75, S76, S77, S78, S79, S80, S81, S82, S83, S84, S85, S86, S87, S88, S89, S90, S91, S92, S93, S94, S95, S96, S97, S98, S99, S100			Cart Display 15		Diodes	85523277		Volume Production	Farnell	184725	0.860	0.2404
802001910706	802001910706	55	T1, T2, T3, T4, T5, T6, T7, T8, T9, T10, T11, T12, T13, T14, T15, T16, T17, T18, T19, T20, T21, T22, T23, T24, T25, T26, T27, T28, T29, T30, T31, T32, T33, T34, T35, T36, T37, T38, T39, T40, T41, T42, T43, T44, T45, T46, T47, T48, T49, T50, T51, T52, T53, T54, T55, T56, T57, T58, T59, T60, T61, T62, T63, T64, T65, T66, T67, T68, T69, T70, T71, T72, T73, T74, T75, T76, T77, T78, T79, T80, T81, T82, T83, T84, T85, T86, T87, T88, T89, T90, T91, T92, T93, T94, T95, T96, T97, T98, T99, T100												