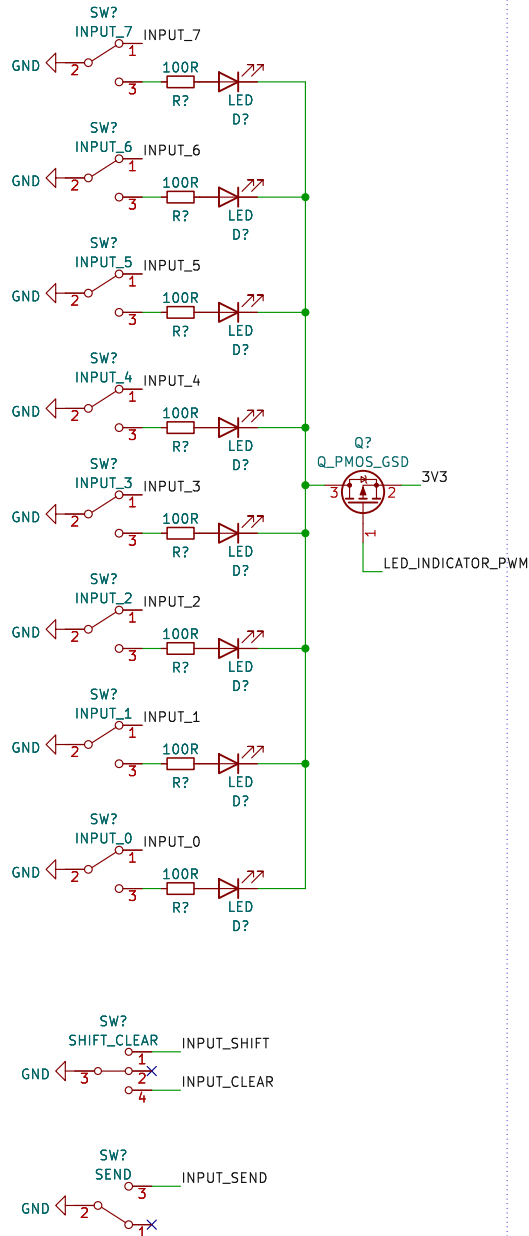
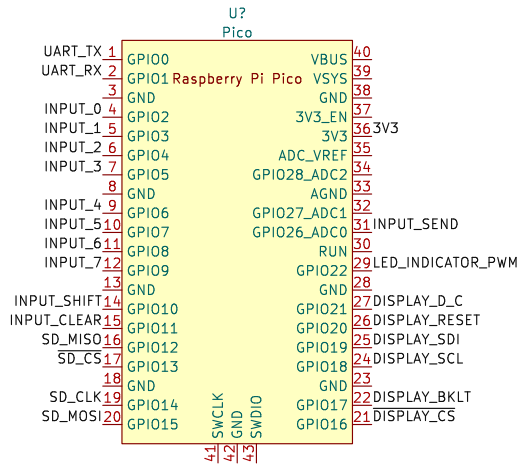


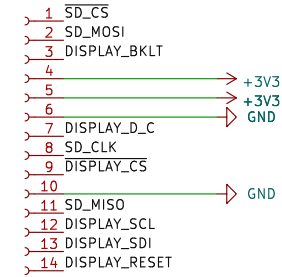
Front panel



Raspberry Pi Pico

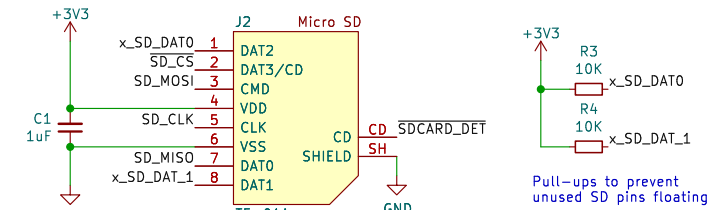


Breakout board connections

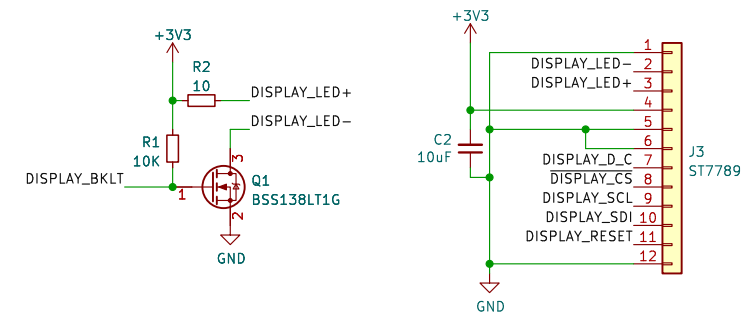


Connector J1

SD Card in SPI mode



ST7789 SPI display



Unicode Binary Input Terminal

stecman

Sheet: /	File: unicode-pico.kicad_sch	
Size: A4	Date: 22 August 2022	Rev:
KiCad E.D.A. kicad 7.0.7	Id: 1/1	