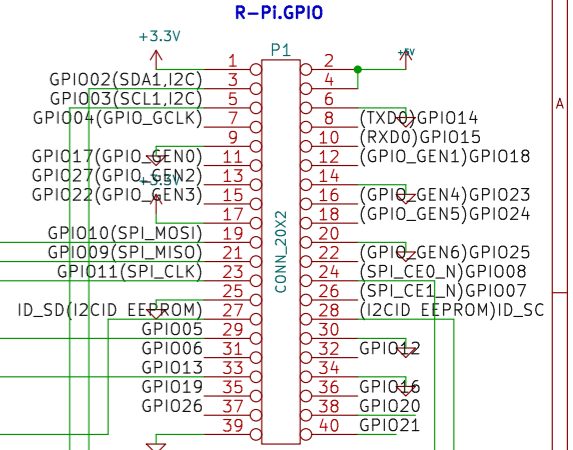
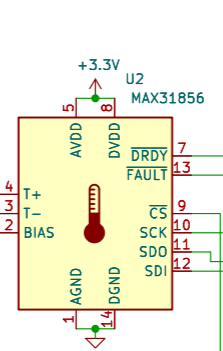
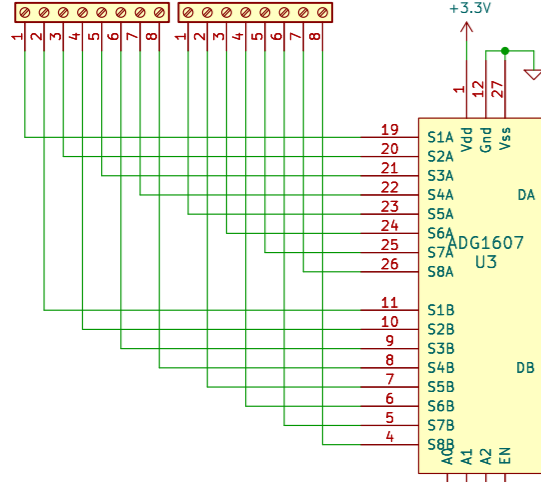


- Mounting Holes
- MK1 M2.5
 - MK2 M2.5
 - MK3 M2.5
 - MK4 M2.5

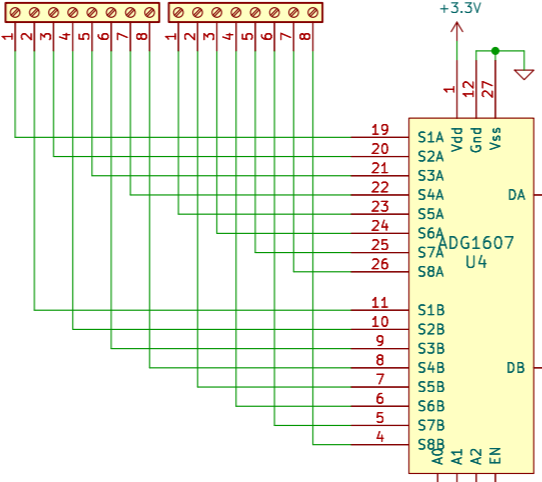


Components inside this line for board 0 only.

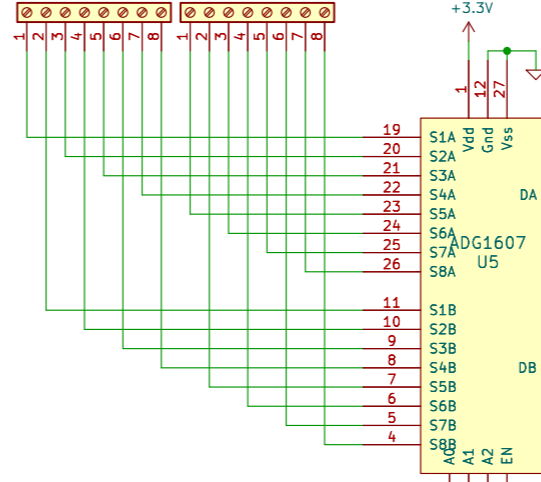
Thermocouple inputs 1 to 8
J3 J4
Screw_Terminal_01x08 Screw_Terminal_01x08



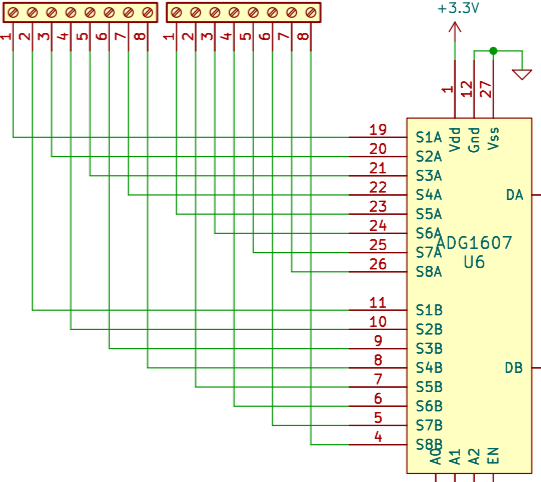
Thermocouple inputs 9 to 16
J5 J6
Screw_Terminal_01x08 Screw_Terminal_01x08



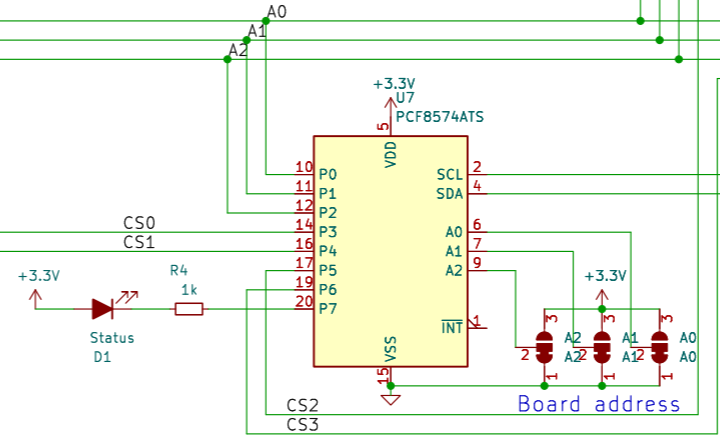
Thermocouple inputs 17 to 24
J7 J8
Screw_Terminal_01x08 Screw_Terminal_01x08



Thermocouple inputs 25 to 32
J9 J10
Screw_Terminal_01x08 Screw_Terminal_01x08



I2C Data Structure
D0 D1 D2 D3 D4 D5 D6 D7
A0 A1 A2 CS0 CS1 CS2 CS3 LED



Re-design of PiPlay Multiplexer

Sheet: /
File: TCMux.kicad_sch

Title: 32 Ch. Expandable thermocouple multiplexer for Raspberry Pi

Size: A3 Date: 2023-01-19 Rev: 2.1
KiCad E.D.A. kicad 7.0.8 Id: 1/1

