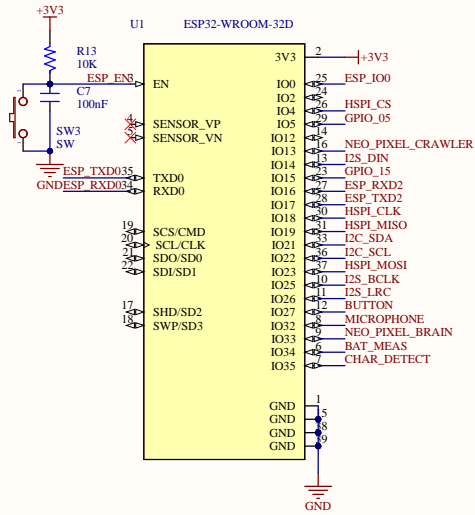
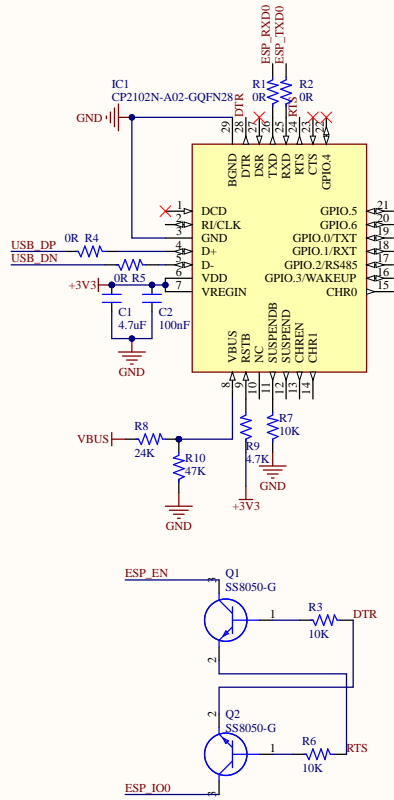


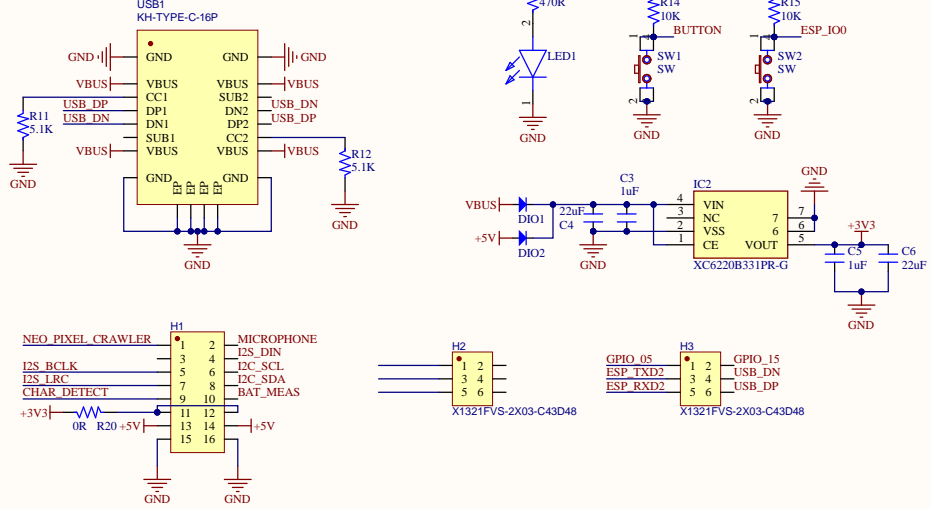
ESP32 MODULE



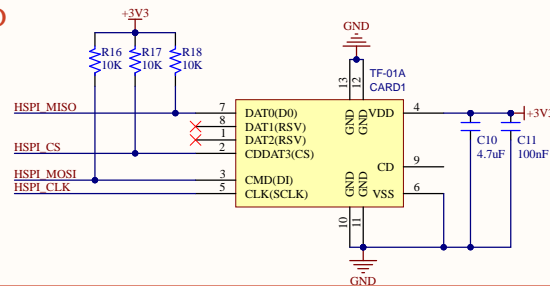
CP2102



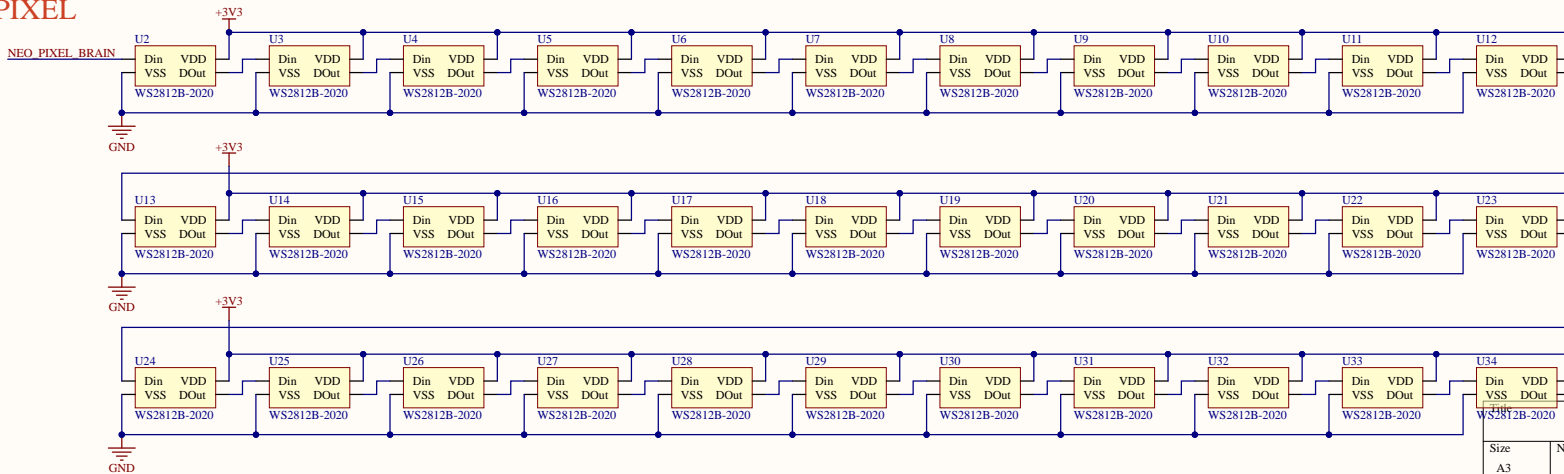
USB TYPE C



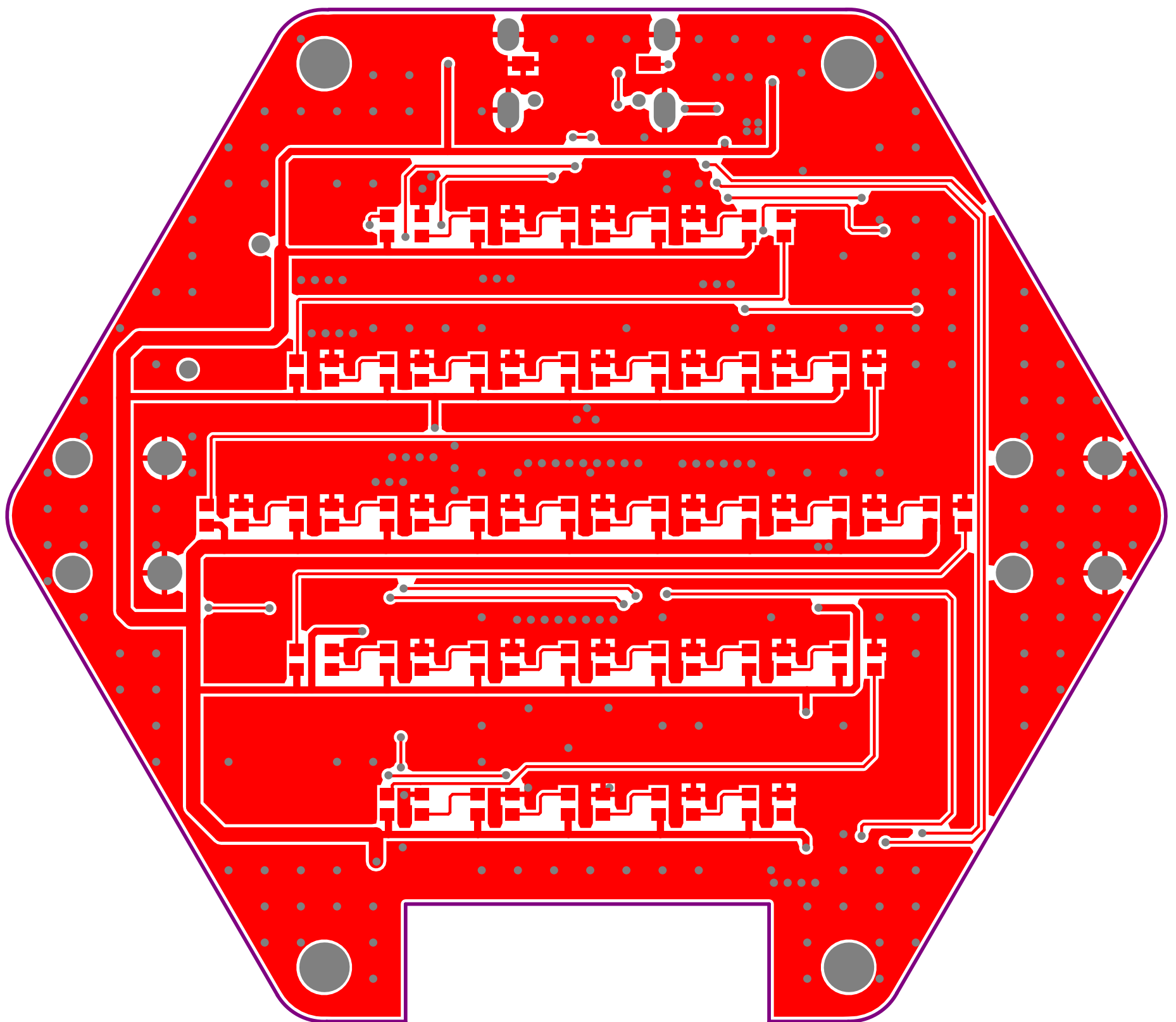
MICRO SD

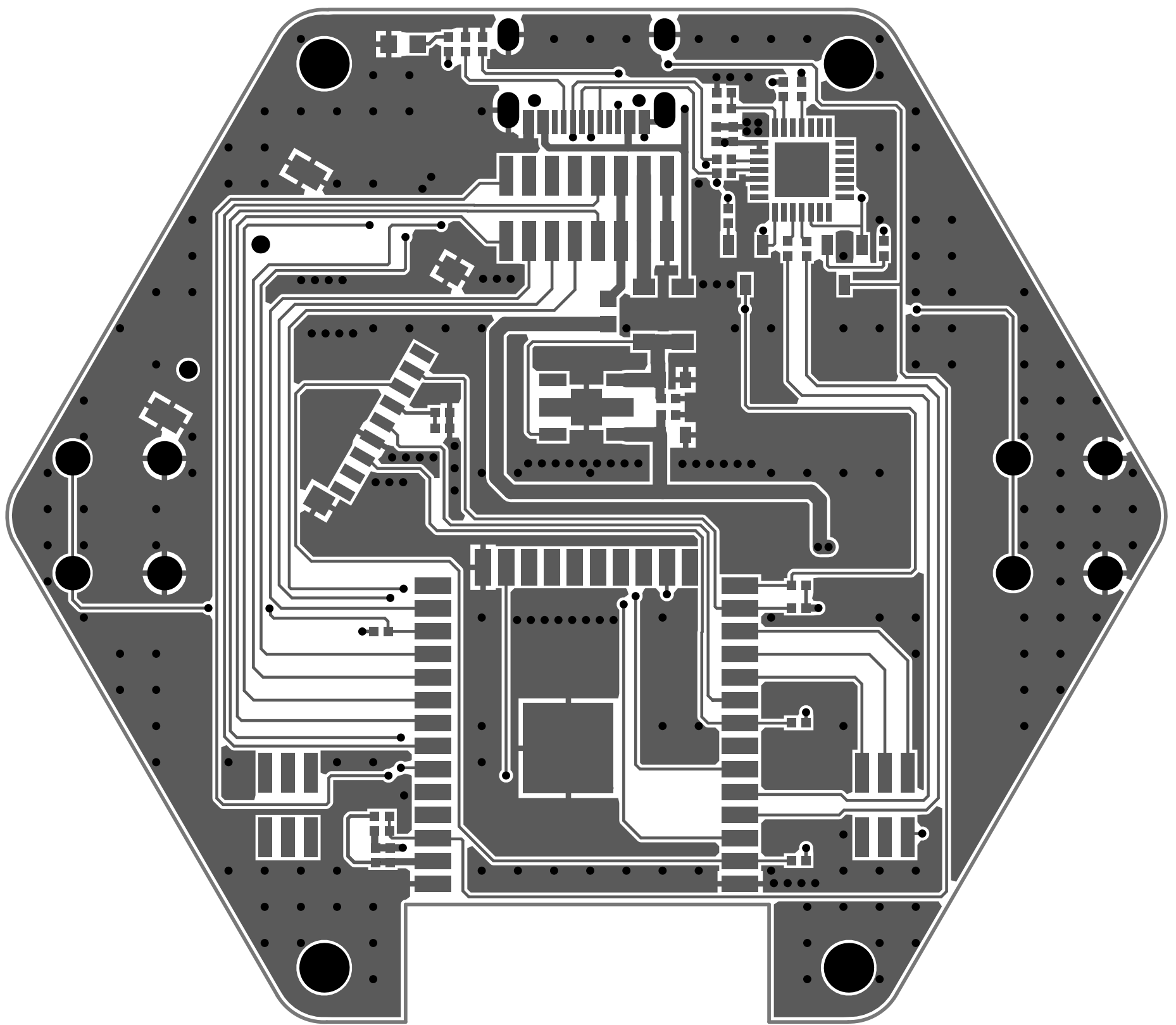


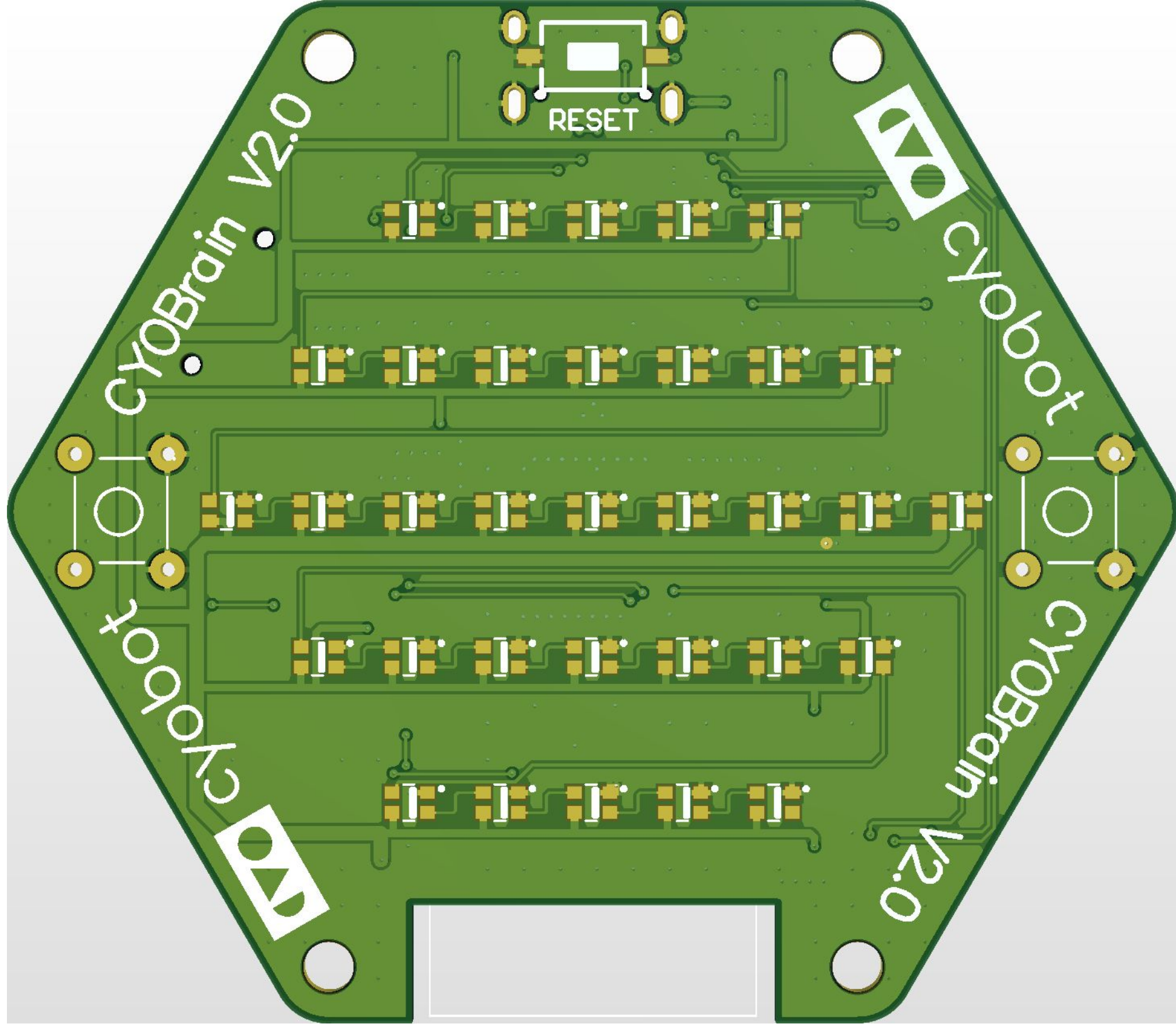
NEOPIXEL

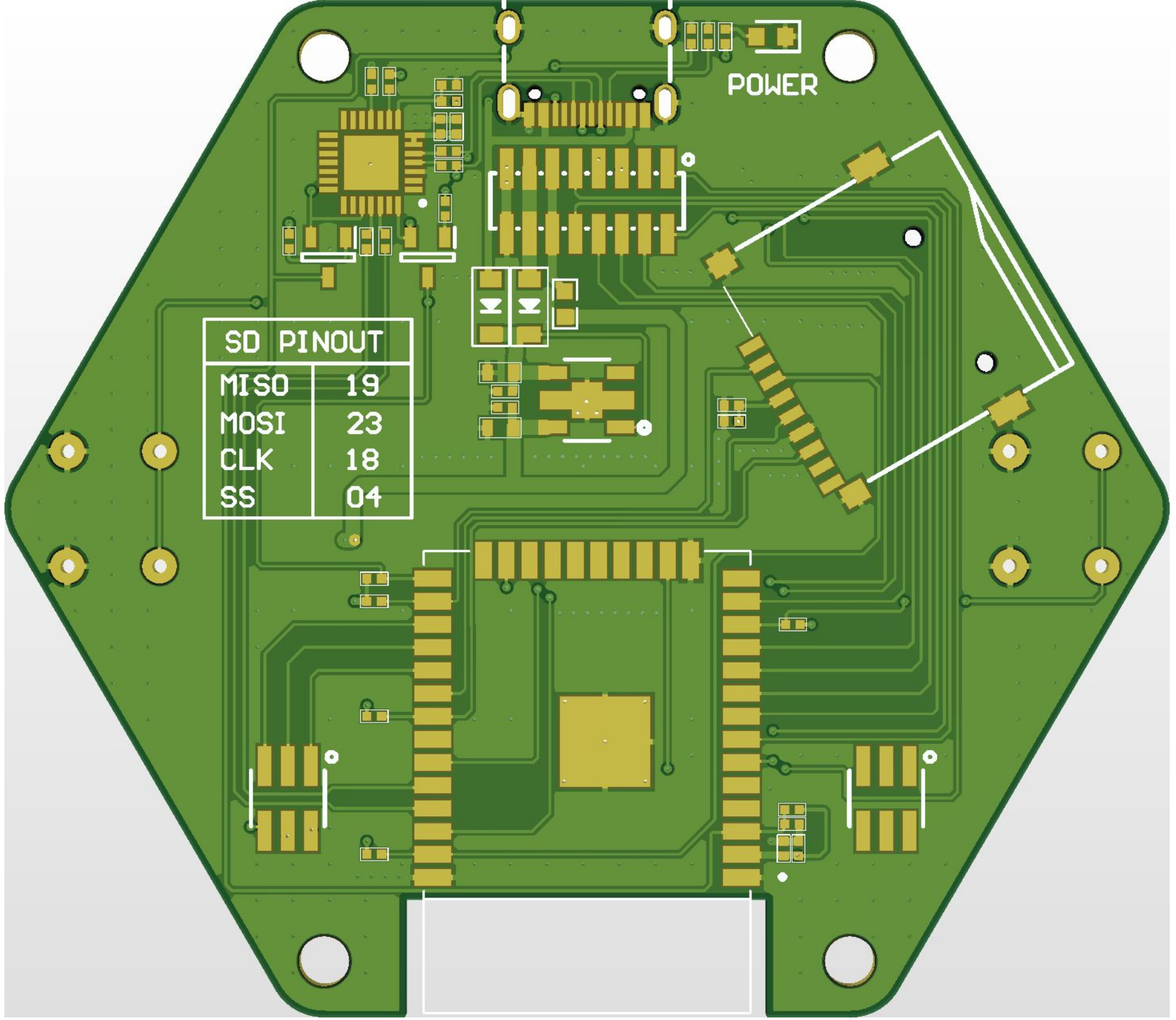


Size	A3	Number		Revision	
Date:	7/11/2023		Sheet of		
File:	C:\Users\...main.SchDoc		Drawn By:		



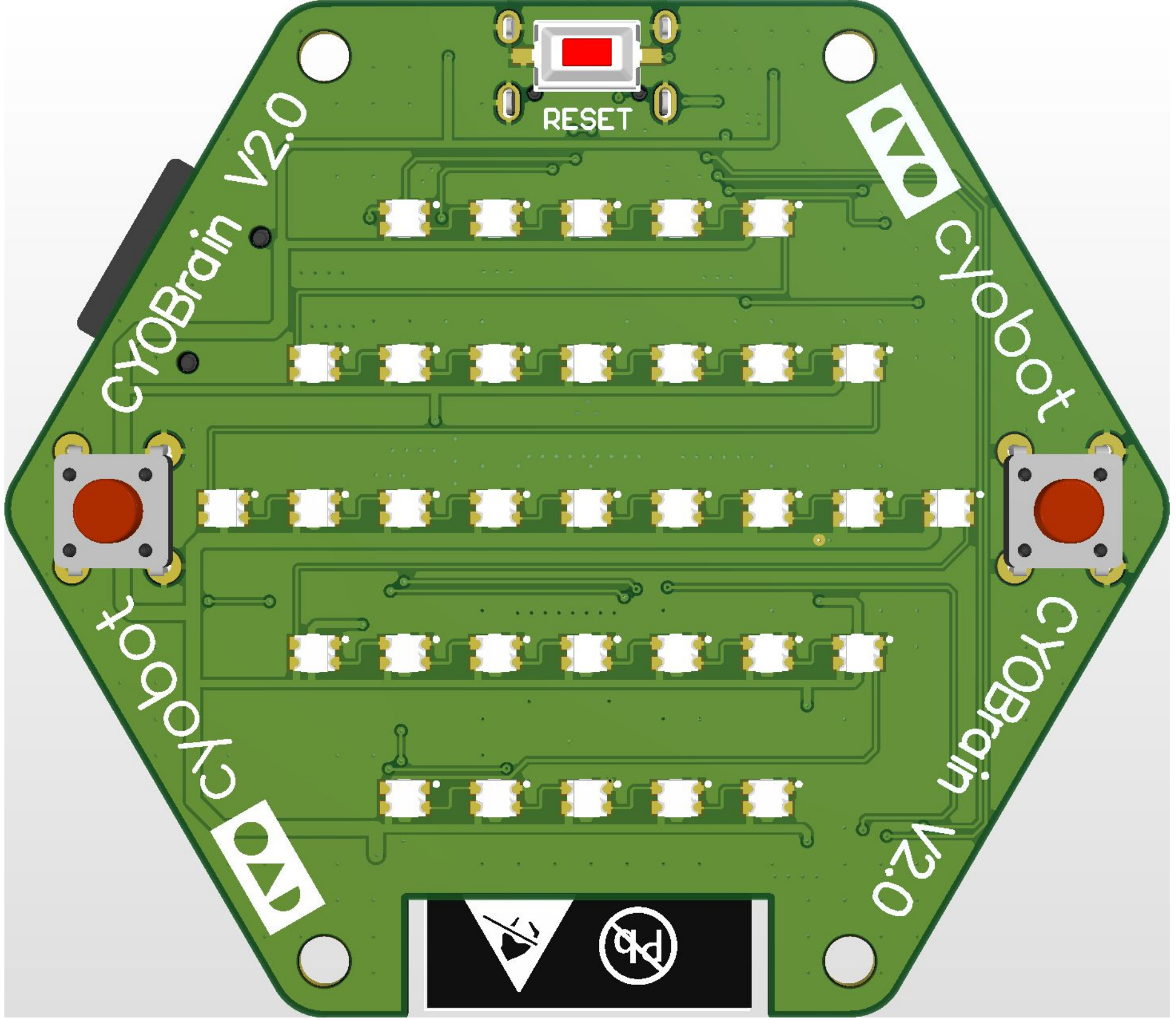


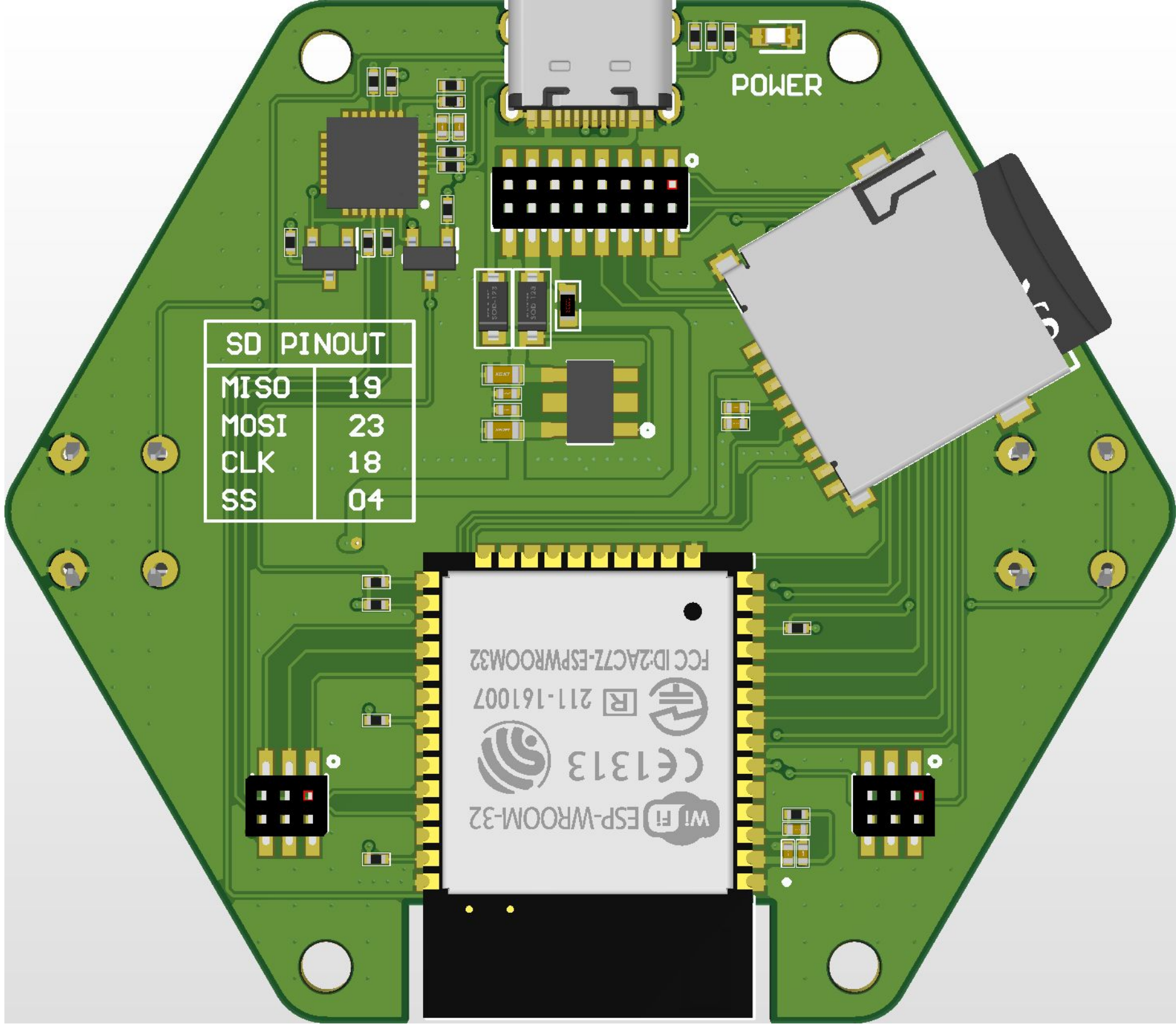




POWER

SD PINOUT	
MISO	19
MOSI	23
CLK	18
SS	04





SD PINOUT	
MISO	19
MOSI	23
CLK	18
SS	04

ESP-WROOM-32
Wi-Fi
CE 1313
211-161007
FCC ID: 2AC7Z-ESPWROOM32