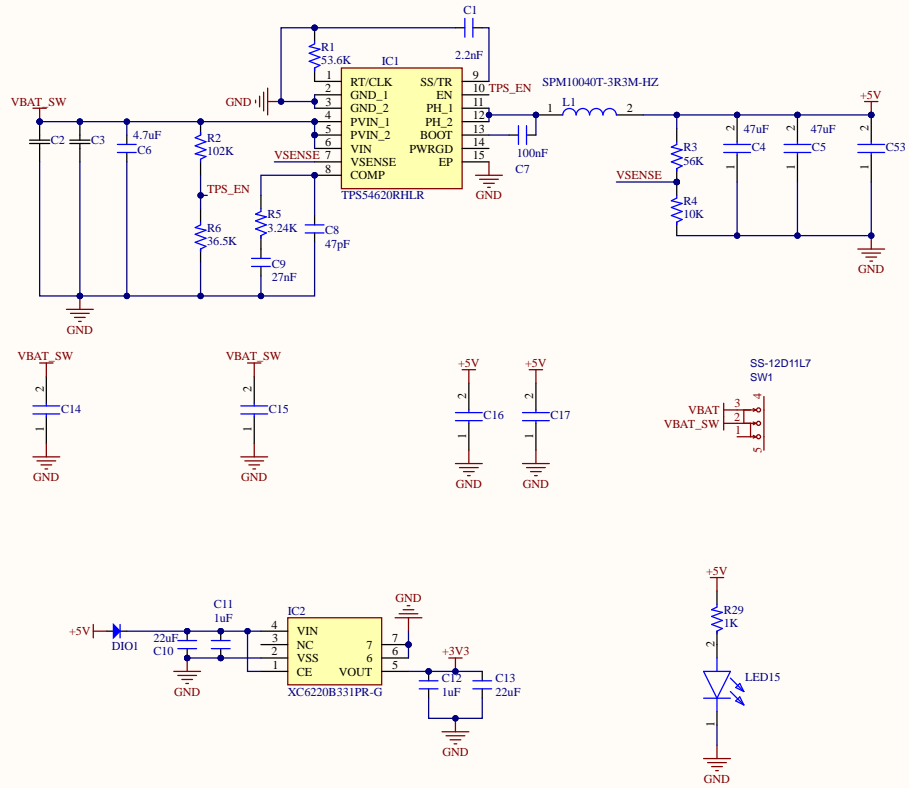
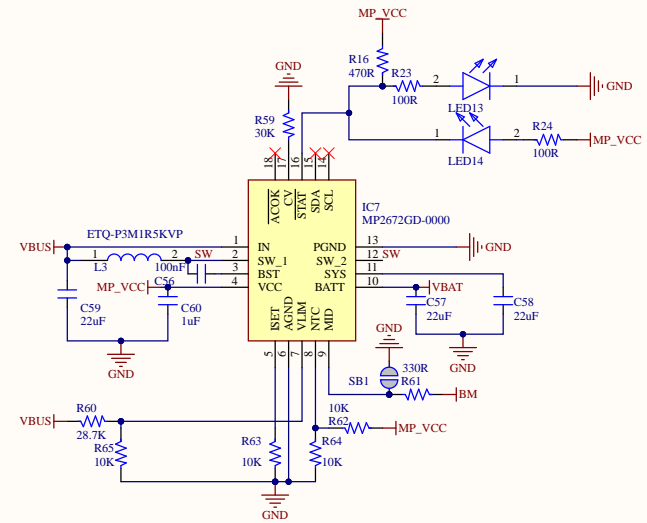


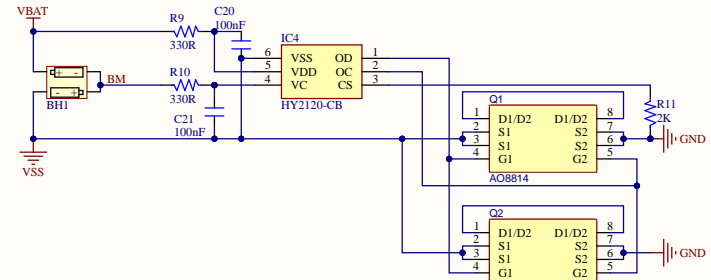
## POWER SUPPLY



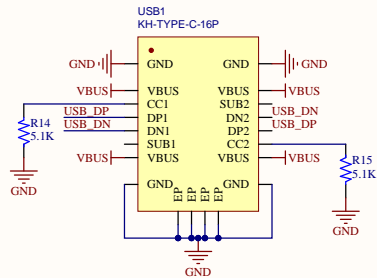
## BATTERY CHARGER



## BATTERY PROTECT

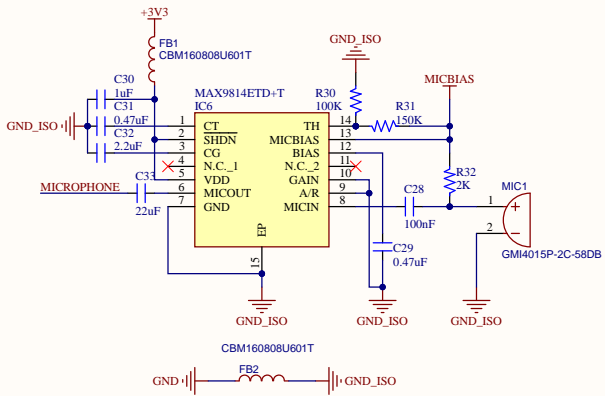


## USB TYPE C

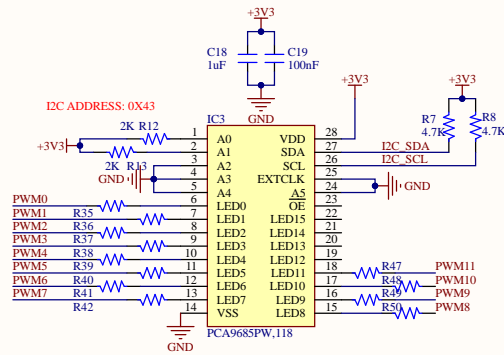


Title		
Size	Number	Revision
A3		
Date:	7/11/2023	Sheet of
File:	C:\Users\...Crawler Power_V2.0.SchDoc	Drawn By:

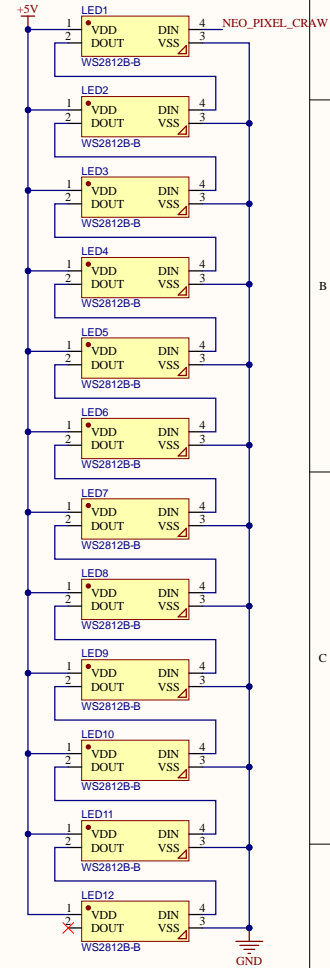
### MICROPHONE



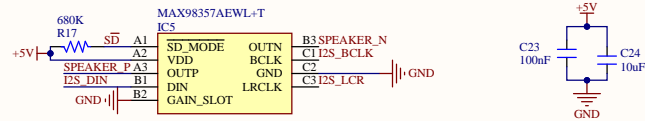
### PCA9685



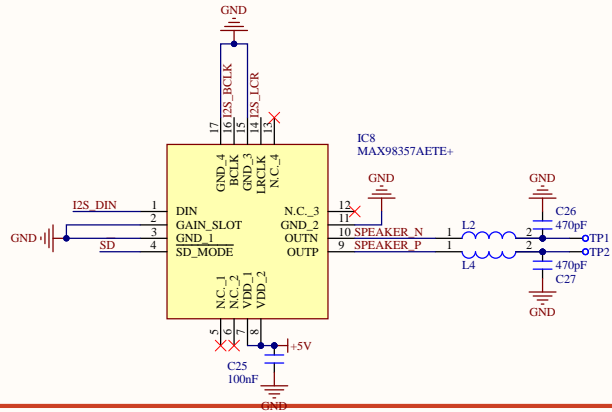
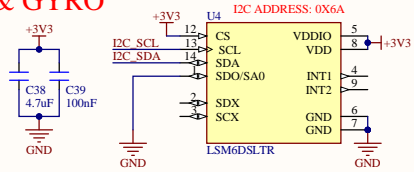
### NEOPIXEL



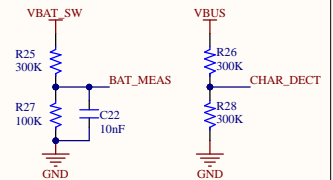
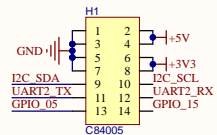
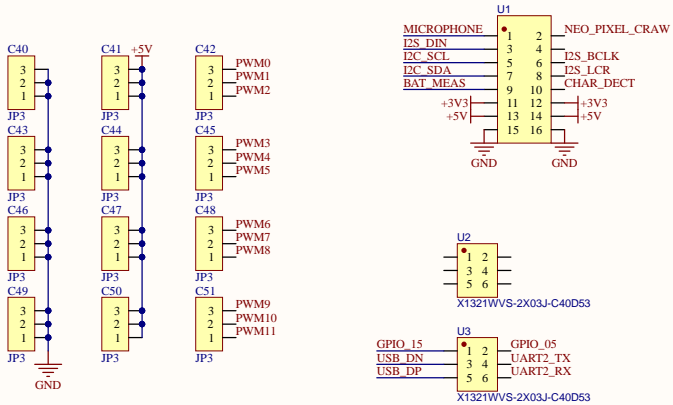
### SPEAKER

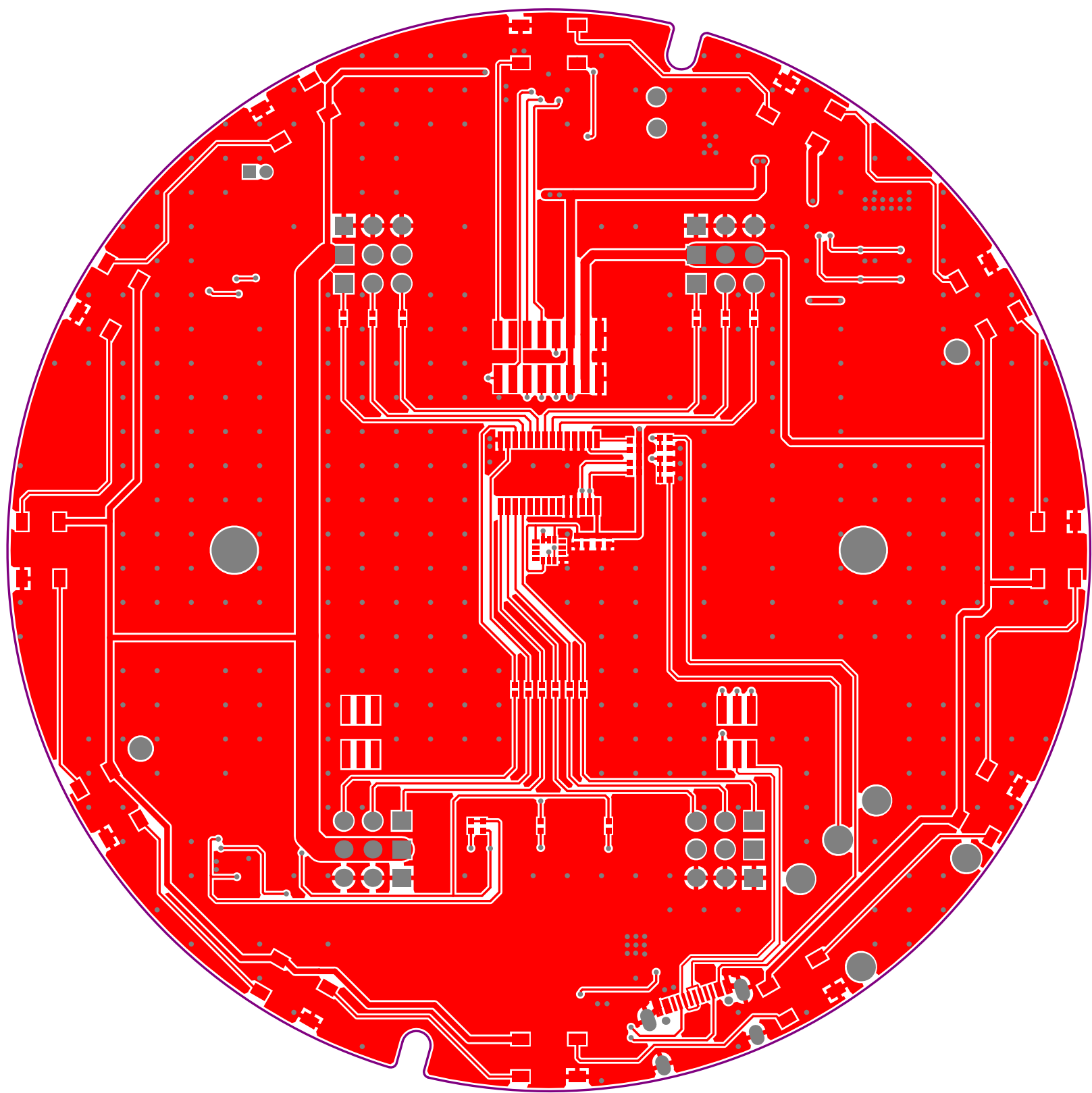


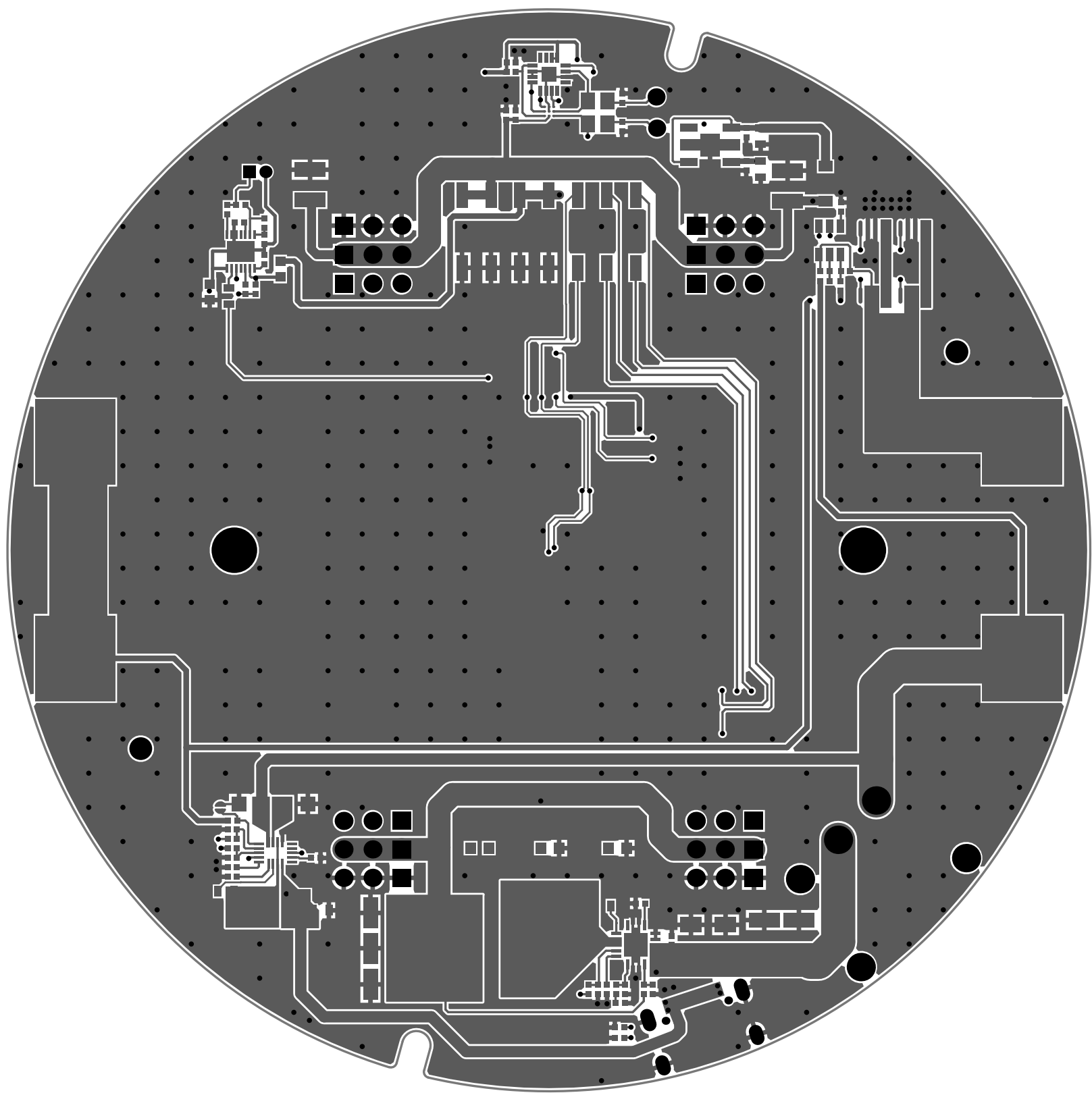
### ACC & GYRO

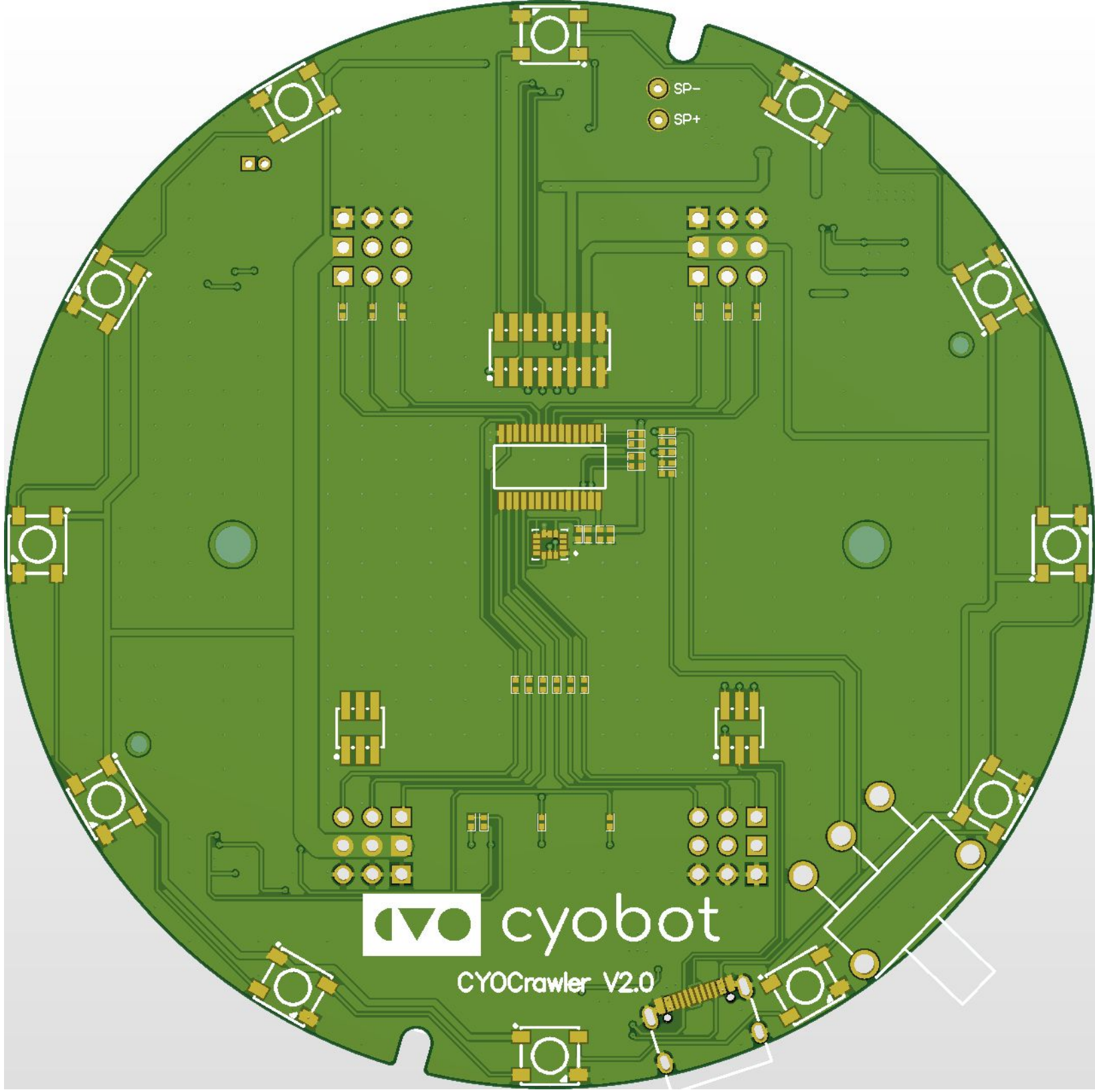


### CONNECTOR





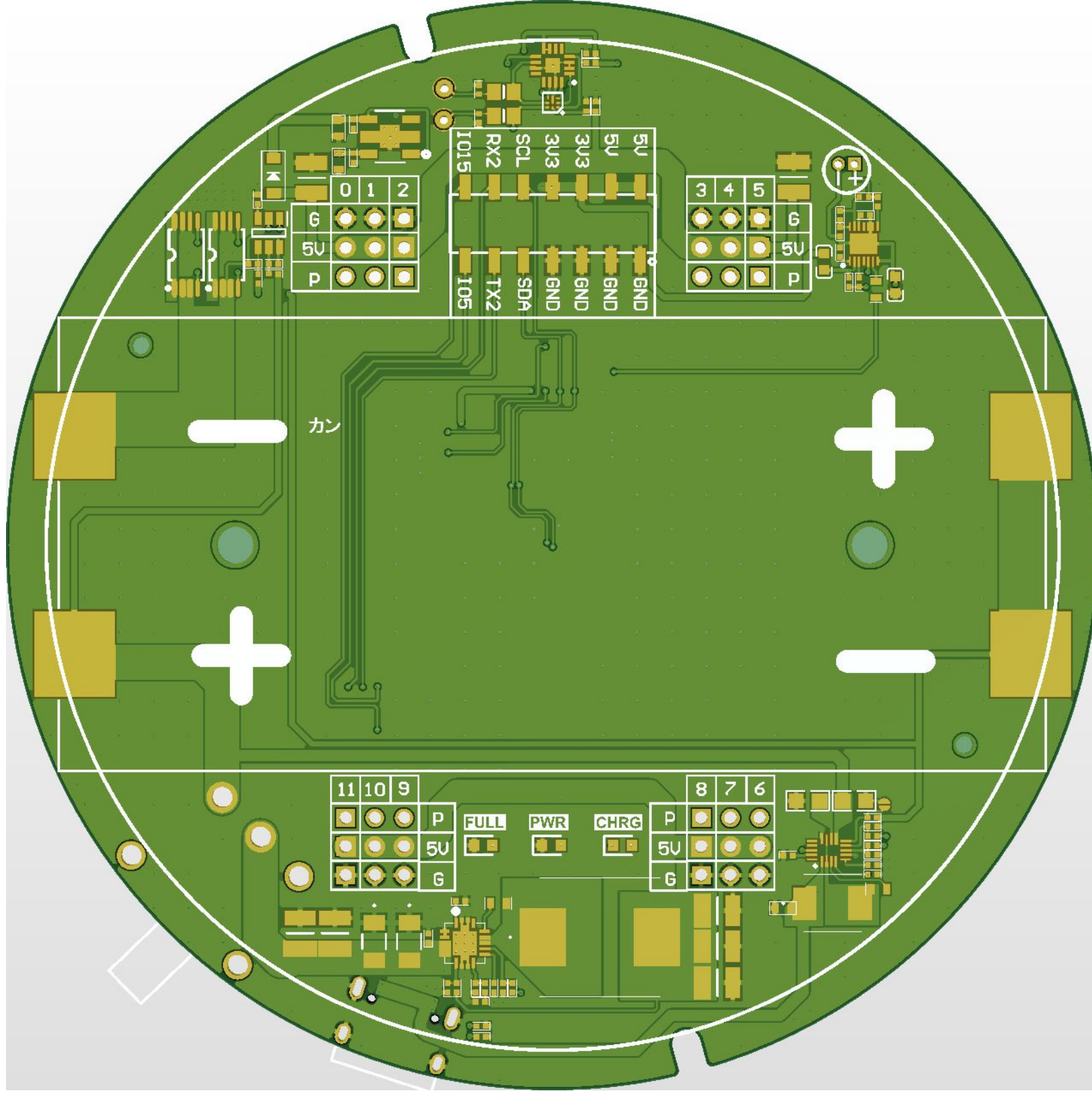


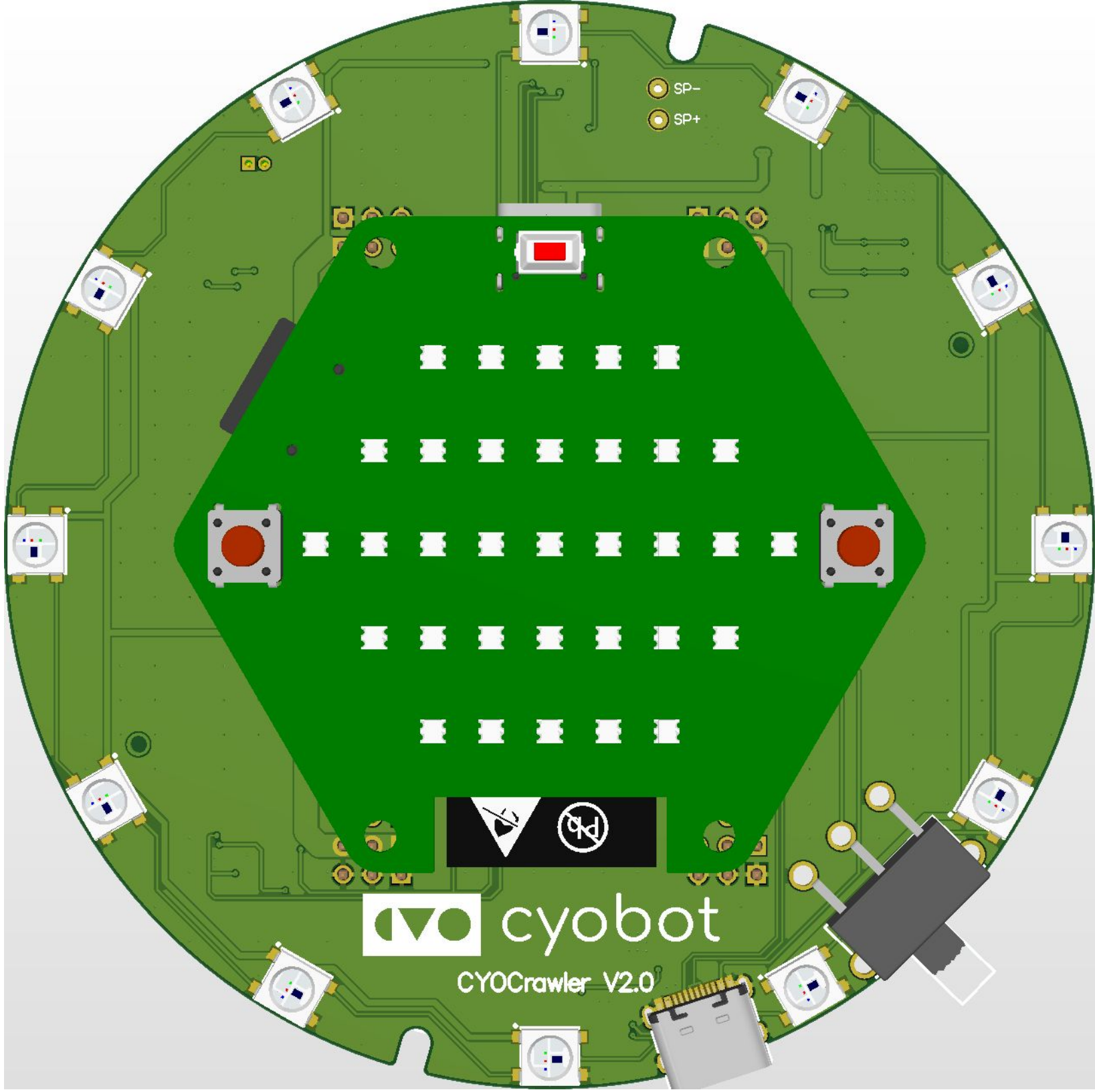


SP-  
SP+

 cyobot

CYOCrawler V2.0





SP-  
SP+

 cyobot

CYOCrawler V2.0

