

F

E

D

C

B

A

4

4

3

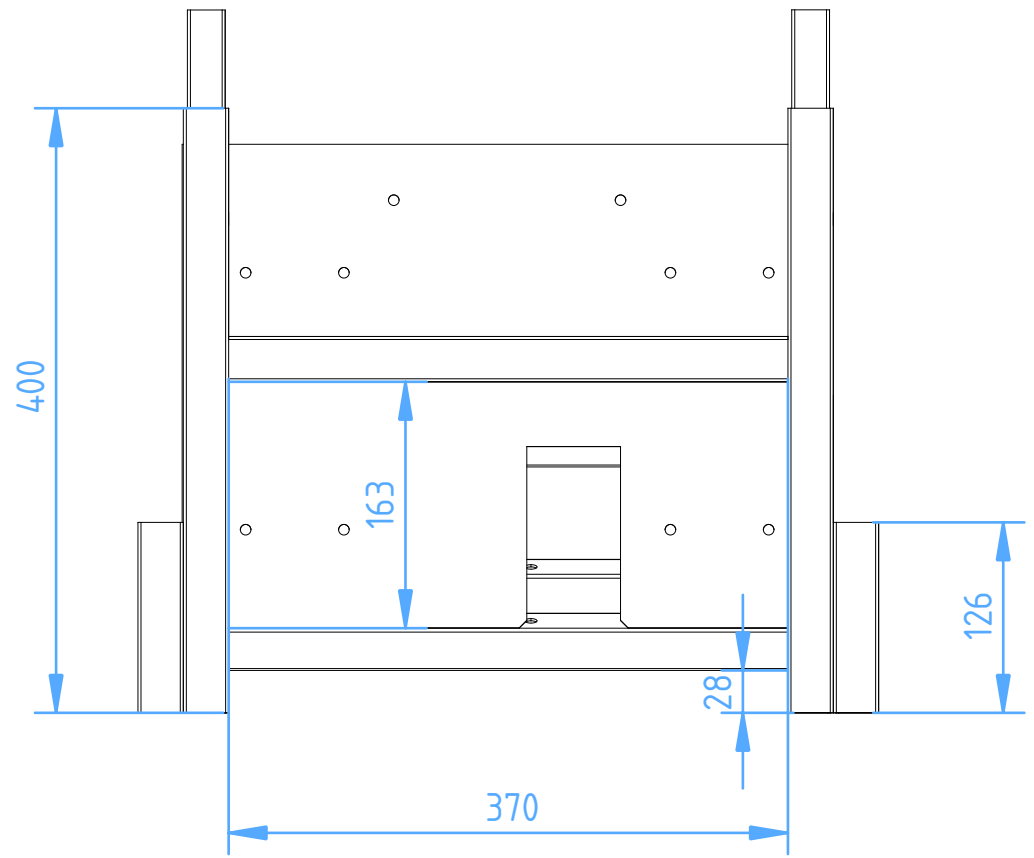
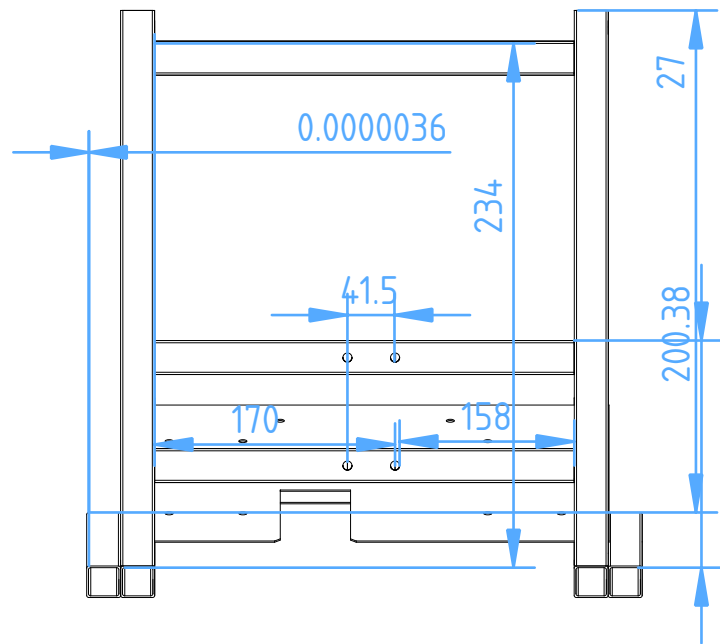
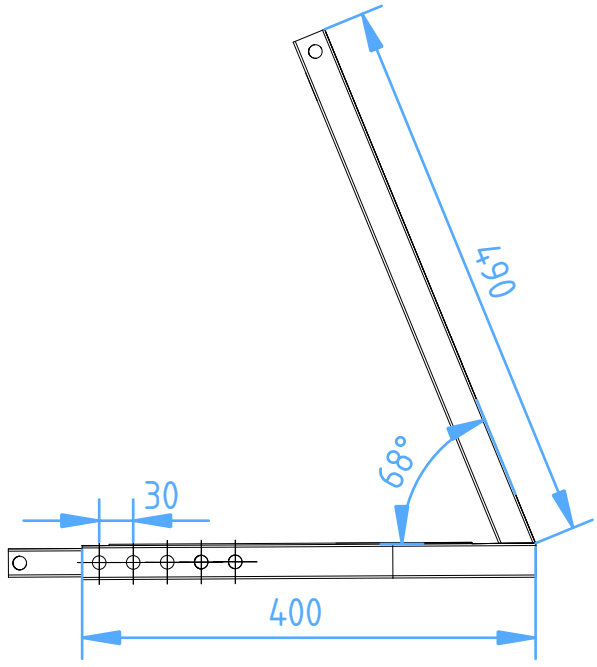
3

2

2

1

1



DESIGNED BY: Designed by Name		Title		G	-
DATE: Date		Subtitle		F	-
SIZE A4				E	-
SCALE		WEIGHT (kg)	DRAWING NUMBER	D	-
Scale	Weight	Drawing number		C	-
			SHEET	B	-
			Sheet	A	-
This drawing is our property; it can't be reproduced or communicated without our written consent.					

F

E

D

1

1