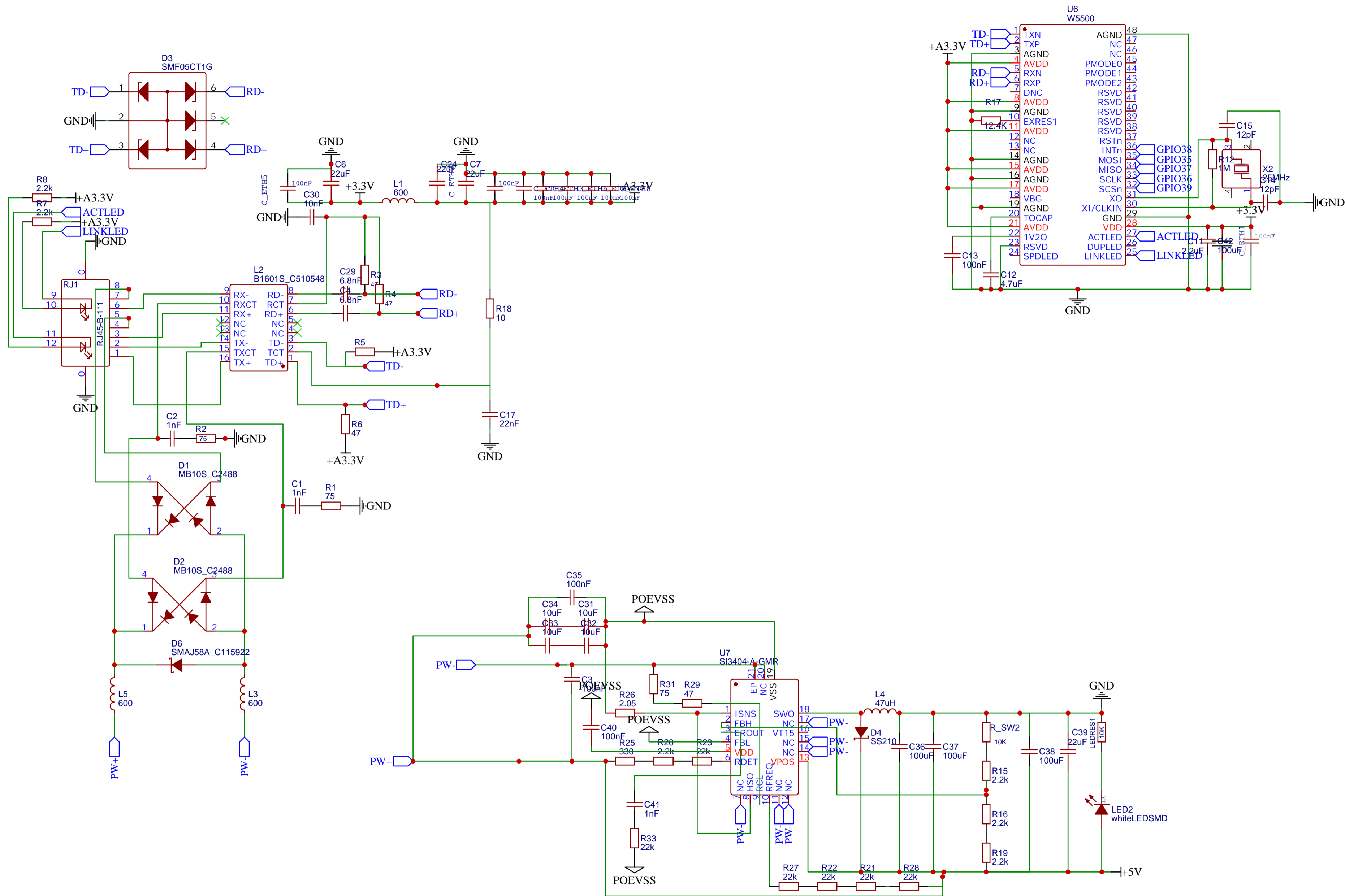


- CAM_SIO-D
- CAM_SIO-C
- CAM_VSYNCH
- CAM_HSYNCH
- CAM_MCLK
- CAM_PCLK
- CAM_Y9
- CAM_Y8
- CAM_Y7
- CAM_Y6
- CAM_Y5
- CAM_Y4
- CAM_Y3
- CAM_Y2
- CAM_Y1
- CAM_Y0
- GPIO4
- GPIO5
- GPIO6
- GPIO7
- GPIO15
- GPIO13
- GPIO16
- GPIO17
- GPIO18
- GPIO12
- GPIO11
- GPIO10
- GPIO9
- GPIO8

TITLE: Esp32-poe-a-cam		REV: 1.0
Company: Prokyber		Sheet: 1/1
Date: 2022-11-10	Drawn By: allexok	



TITLE: esp32-poe-a		REV: 1.0
Company:		Sheet: 1/1
Date: 2022-11-11	Drawn By: allexoK	