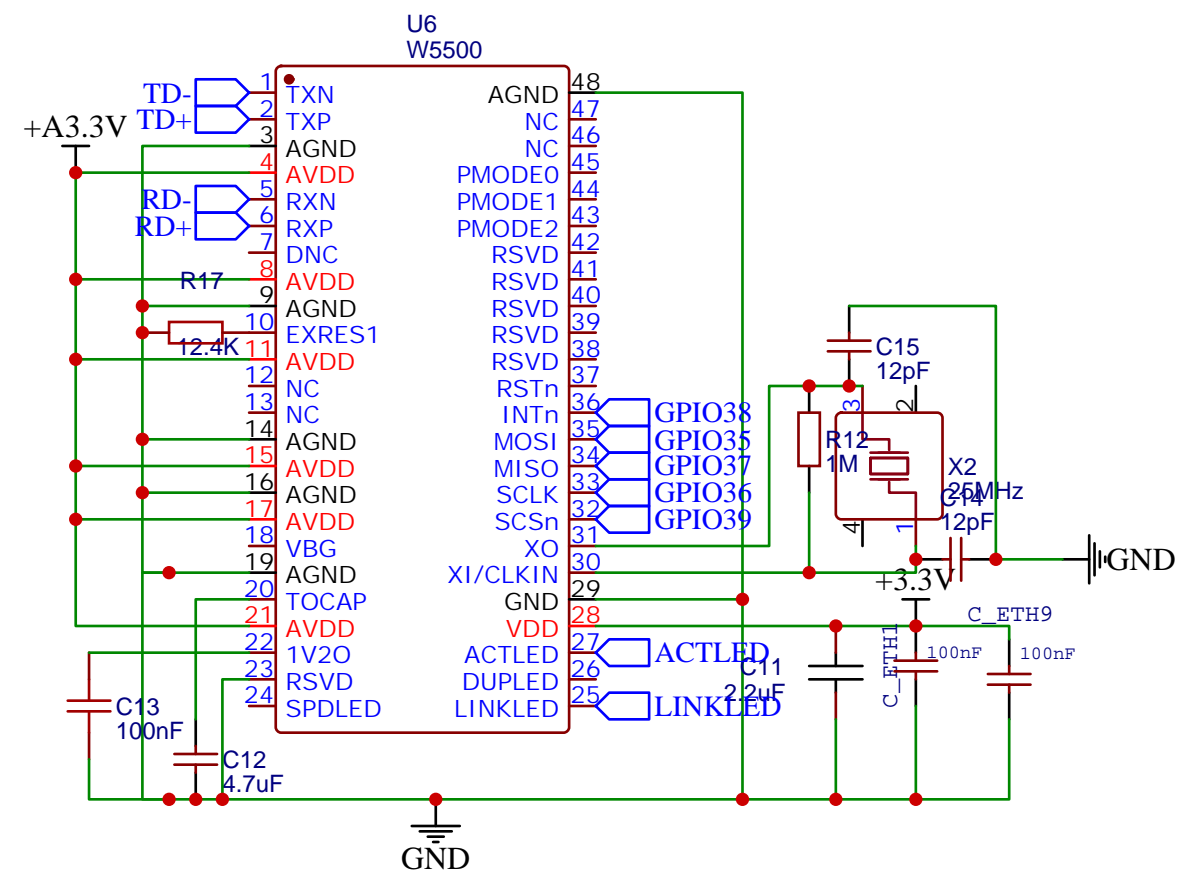
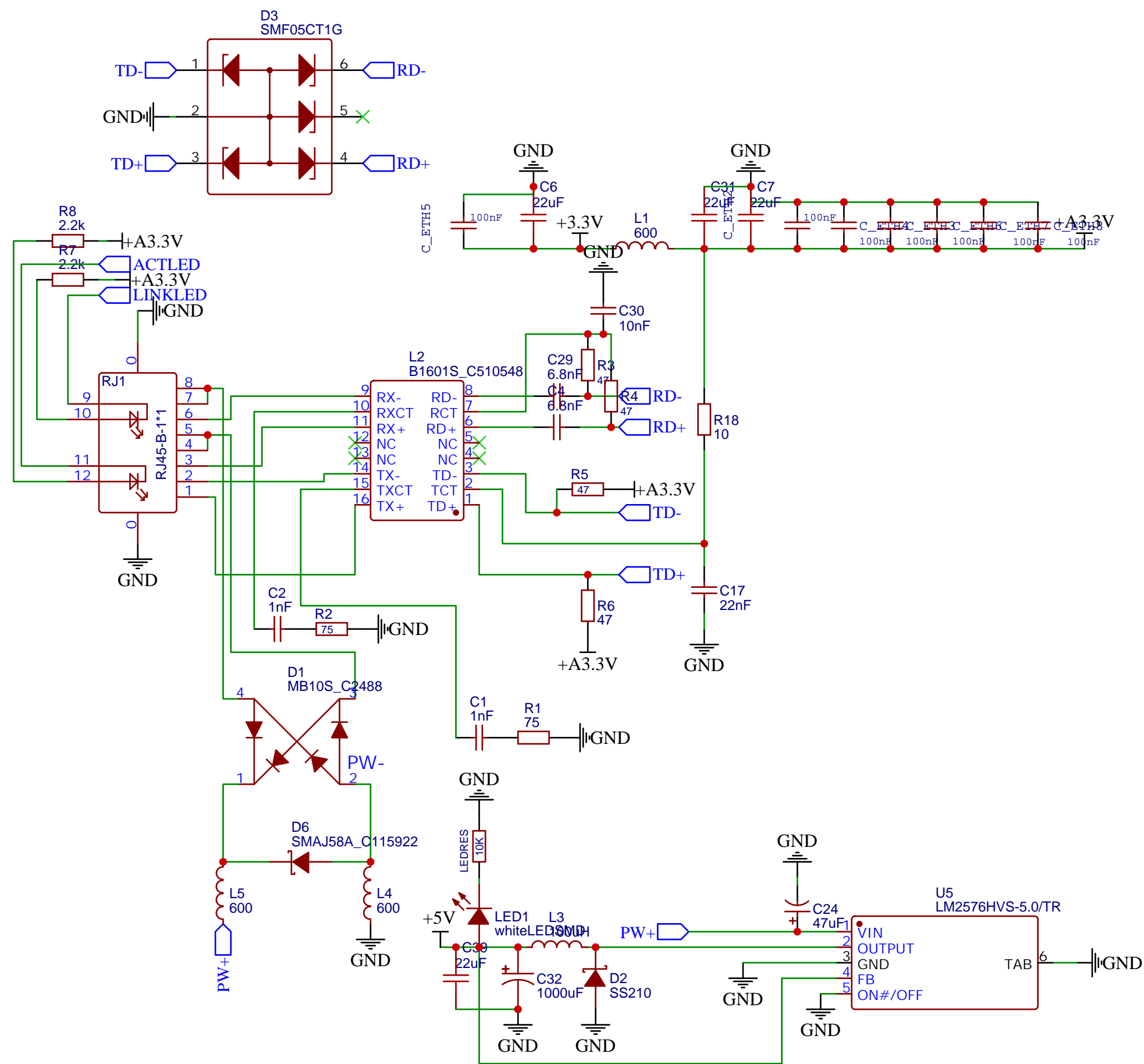


- CAM\_SIO-D GPIO4
- CAM\_SIO-C GPIO5
- CAM\_VSYNCH GPIO6
- CAM\_HSYNCH GPIO7
- CAM\_MCLK GPIO15
- CAM\_PCLK GPIO13
- CAM\_Y9 GPIO16
- CAM\_Y8 GPIO17
- CAM\_Y7 GPIO18
- CAM\_Y6 GPIO12
- CAM\_Y5 GPIO11
- CAM\_Y4 GPIO10
- CAM\_Y3 GPIO9
- CAM\_Y2 GPIO8

TITLE:	Esp32-poe-p-cam	REV:	1.0
	Company: Prokyber	Sheet:	1/1
	Date: 2023-05-10	Drawn By:	allexoK



TITLE:	Esp32-poe-p-cam	REV:	1.0
Company:		Sheet:	1/1
Date:	2023-05-11	Drawn By:	allexoK