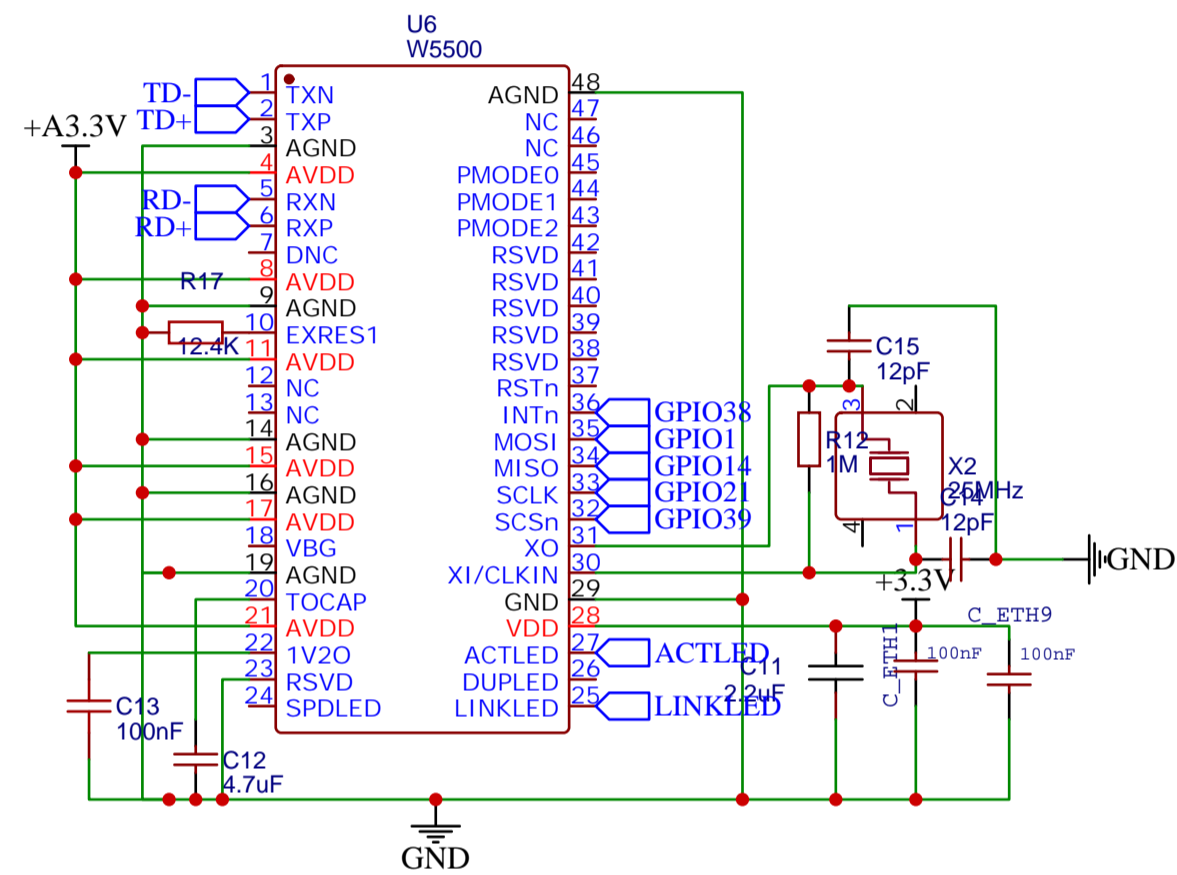
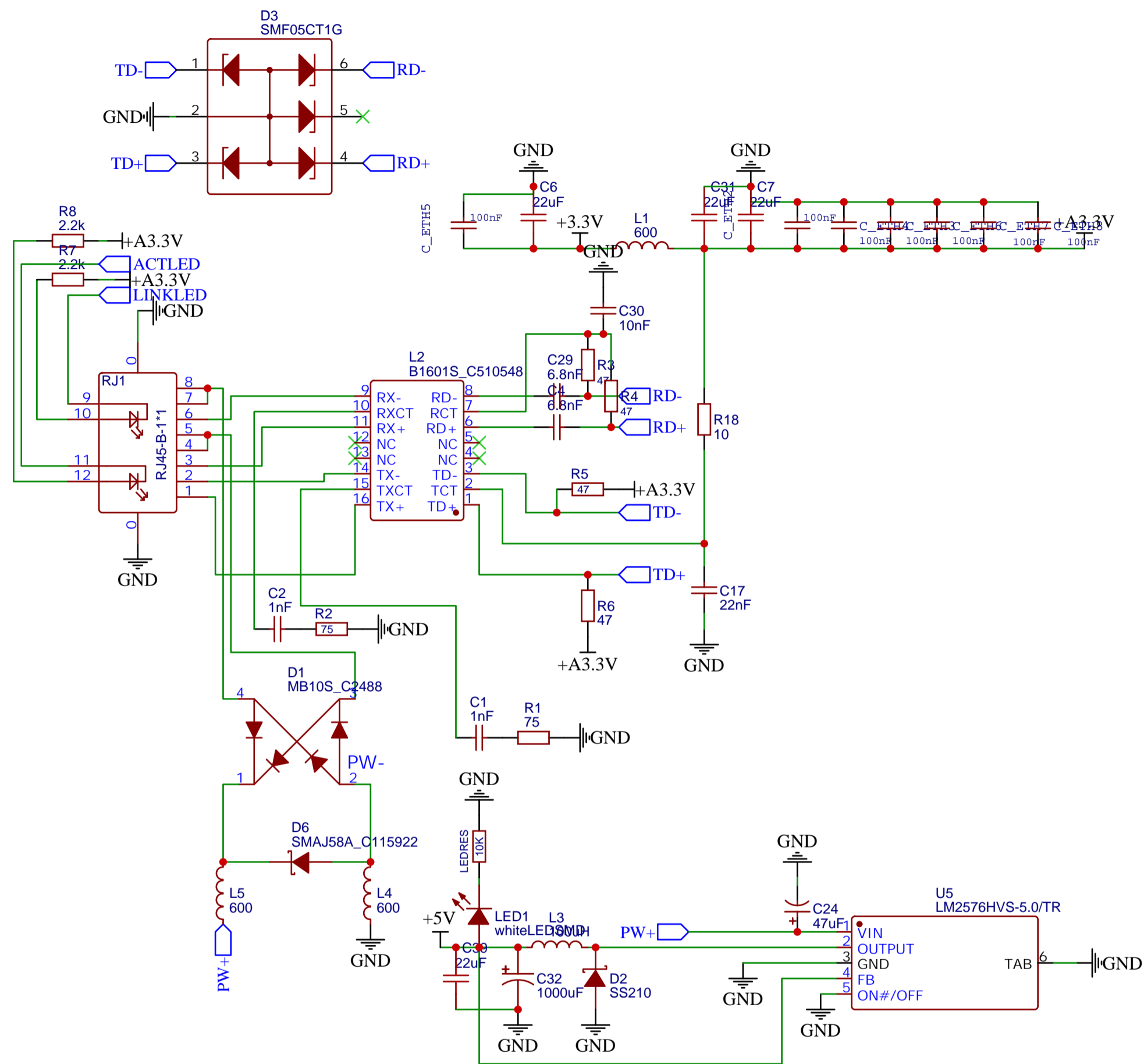


- CAM_SIO-D GPIO4
- CAM_SIO-C GPIO5
- CAM_VSYNCH GPIO6
- CAM_HSYNCH GPIO7
- CAM_MCLK GPIO15
- CAM_PCLK GPIO13
- CAM_Y9 GPIO16
- CAM_Y8 GPIO17
- CAM_Y7 GPIO18
- CAM_Y6 GPIO12
- CAM_Y2 GPIO11
- CAM_Y5 GPIO10
- CAM_Y3 GPIO9
- CAM_Y4 GPIO8

TITLE:	Esp32-poe-p-cam	REV:	1.0
	Company: Prokyber		Sheet: 1/1
	Date: 2023-05-10	Drawn By: allexoK	



TITLE:	Esp32-poe-p-cam	REV:	1.0
Company:		Sheet:	1/1
Date:	2023-05-11	Drawn By:	allexoK