

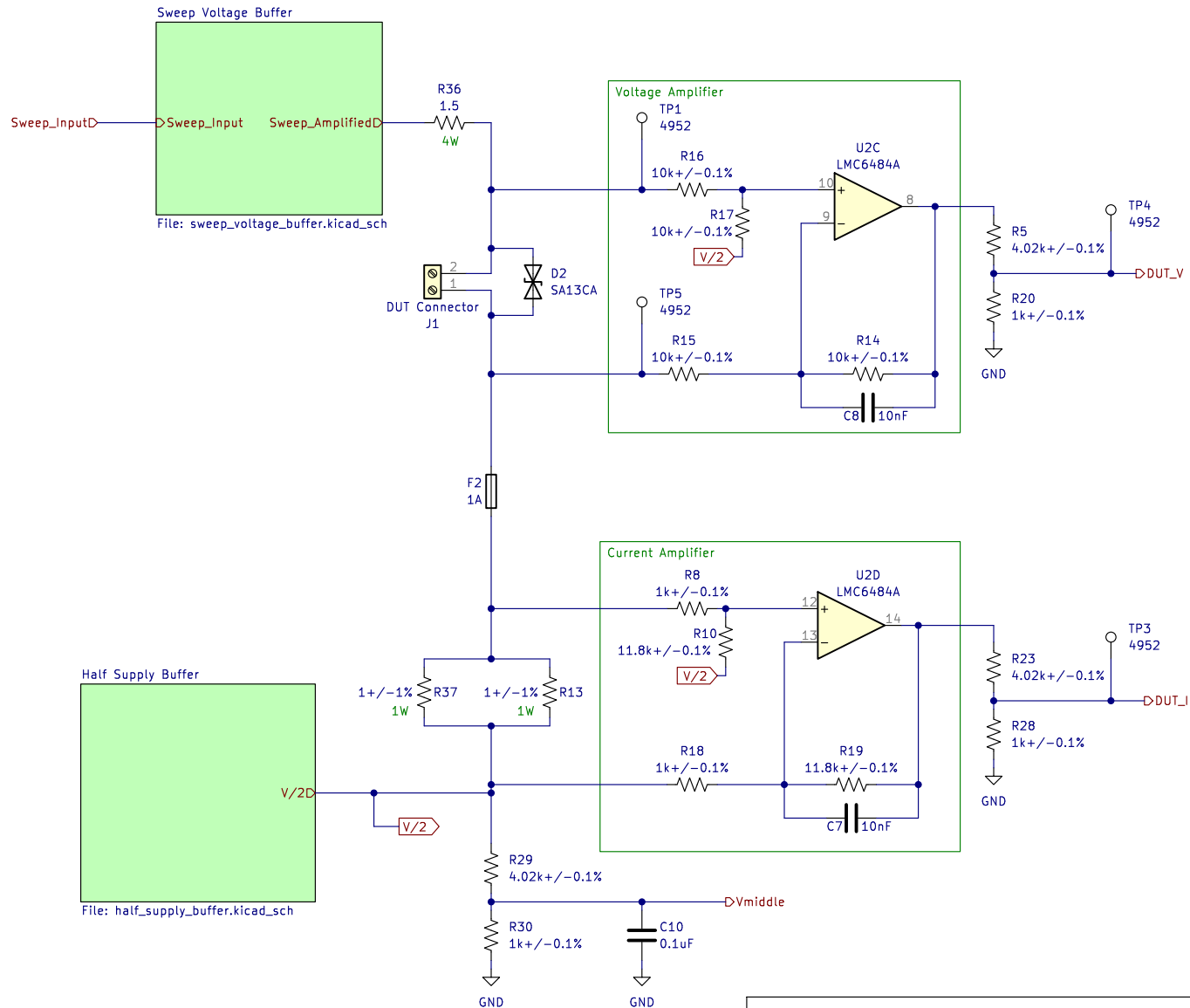
Unless otherwise noted, all resistor are either 1% or 5% tolerance, and 1/4W.
 Designed by Marek Newton

Sheet: /
 File: USB_curve_tracer.kicad_sch

Title: USB Curve Tracer

Size: USLetter | Date: 2023-10-10
 KiCad E.D.A. | kicad 7.0.7

Rev: 3
 Id: 1/4



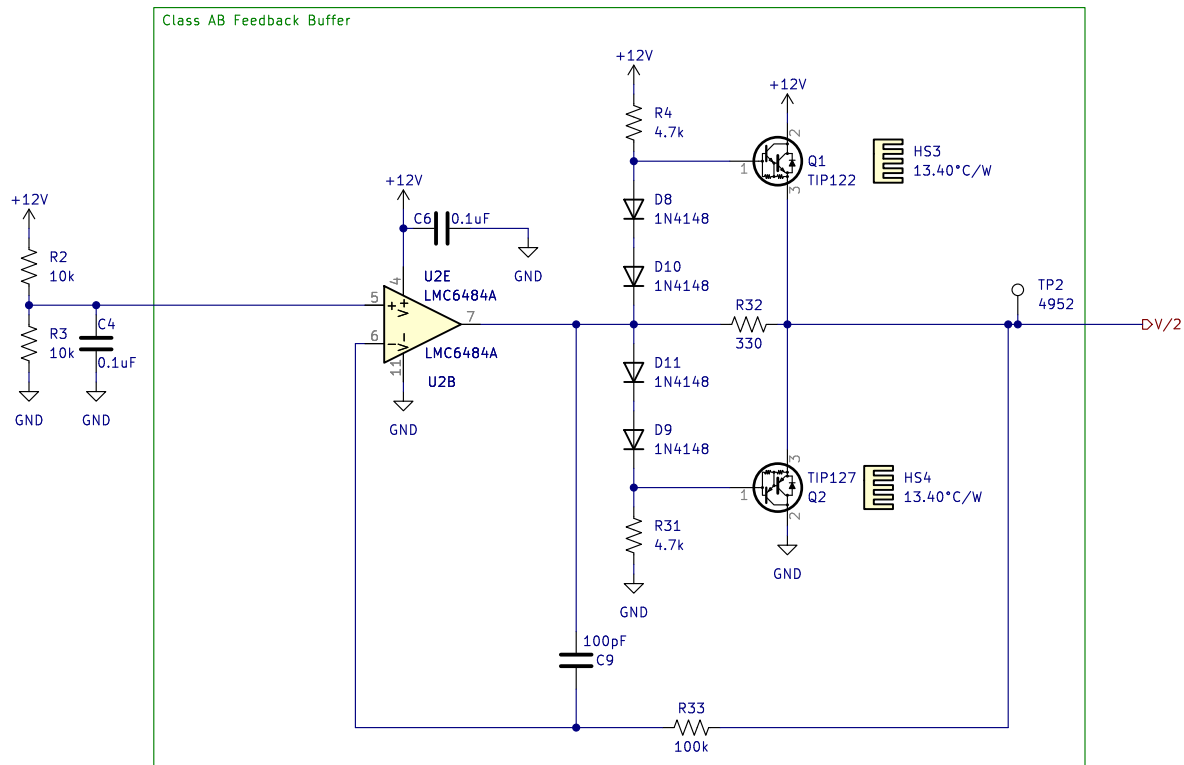
Designed by Marek Newton

Sheet: /IV_Variation/
File: IV_variation.kicad_sch

Title: Analog Front End

Size: A Date: 2023-10-10
KiCad E.D.A. kicad 7.0.7

Rev: 3
Id: 2/4



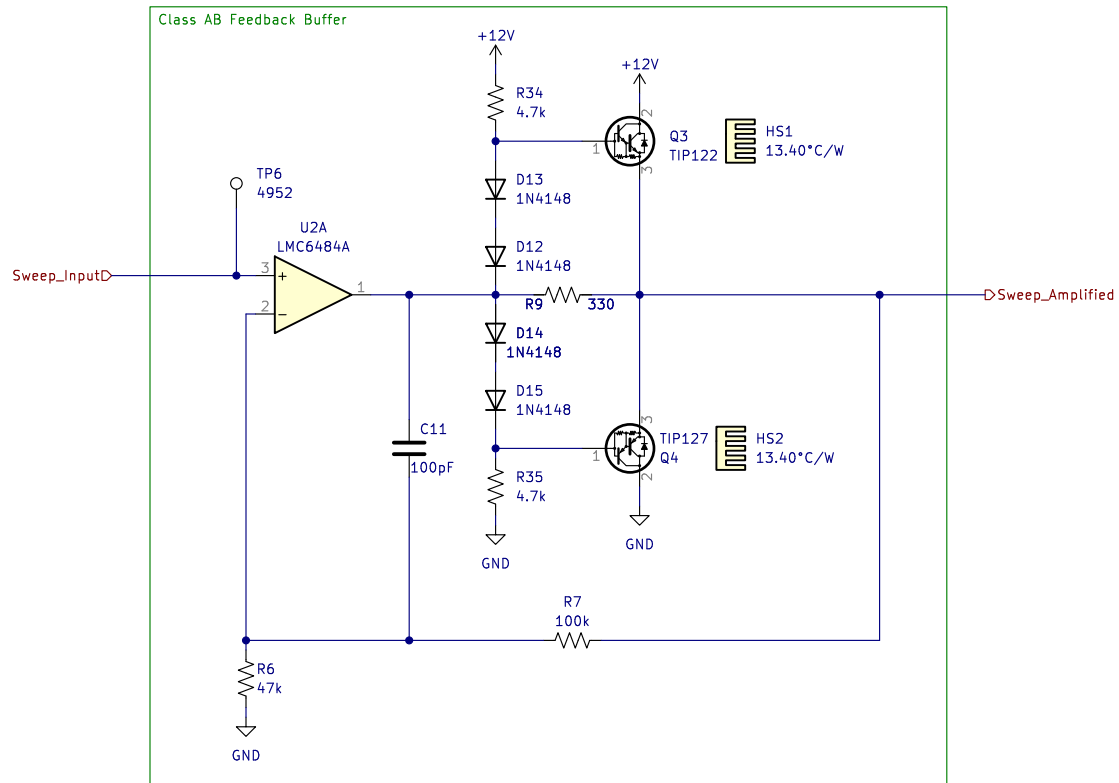
Designed by Marek Newton

Sheet: /IV_Variation/Half Supply Buffer/
 File: half_supply_buffer.kicad_sch

Title: Half Supply Buffer

Size: A Date: 2023-10-10
 KiCad E.D.A. kicad 7.0.7

Rev: 3
 Id: 3/4



Designed by Marek Newton

Sheet: /IV_Variation/Sweep Voltage Buffer/
 File: sweep_voltage_buffer.kicad_sch

Title: Sweep Voltage Buffer

Size: A Date: 2023-10-10
 KiCad E.D.A. kicad 7.0.7

Rev: 3
 Id: 4/4