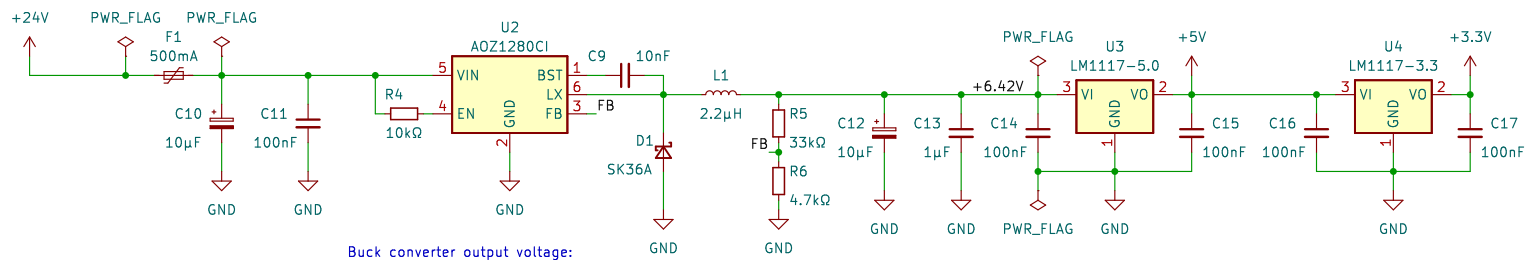


Reviewer: M. Jaruga
 Author: I. Kajdan

Sheet:
 File: suspension_tension_meter.kicad_sch

Title: Suspension Tension Meter

Size: A4	Date: 2023-04-18	Revision: 1.0.0
KiCad E.D.A. kicad 7.0.9		Page: 1/4



Buck converter output voltage:

$$V_{out} = V_{ref} * (1 + R5 / R6)$$

$$V_{out} = 0.8 * (1 + 33k / 4.7k) = 6.42 \text{ V}$$



Reviewer: M. Jaruga
 Author: I. Kajdan

Sheet: Power Supply
 File: power.kicad_sch

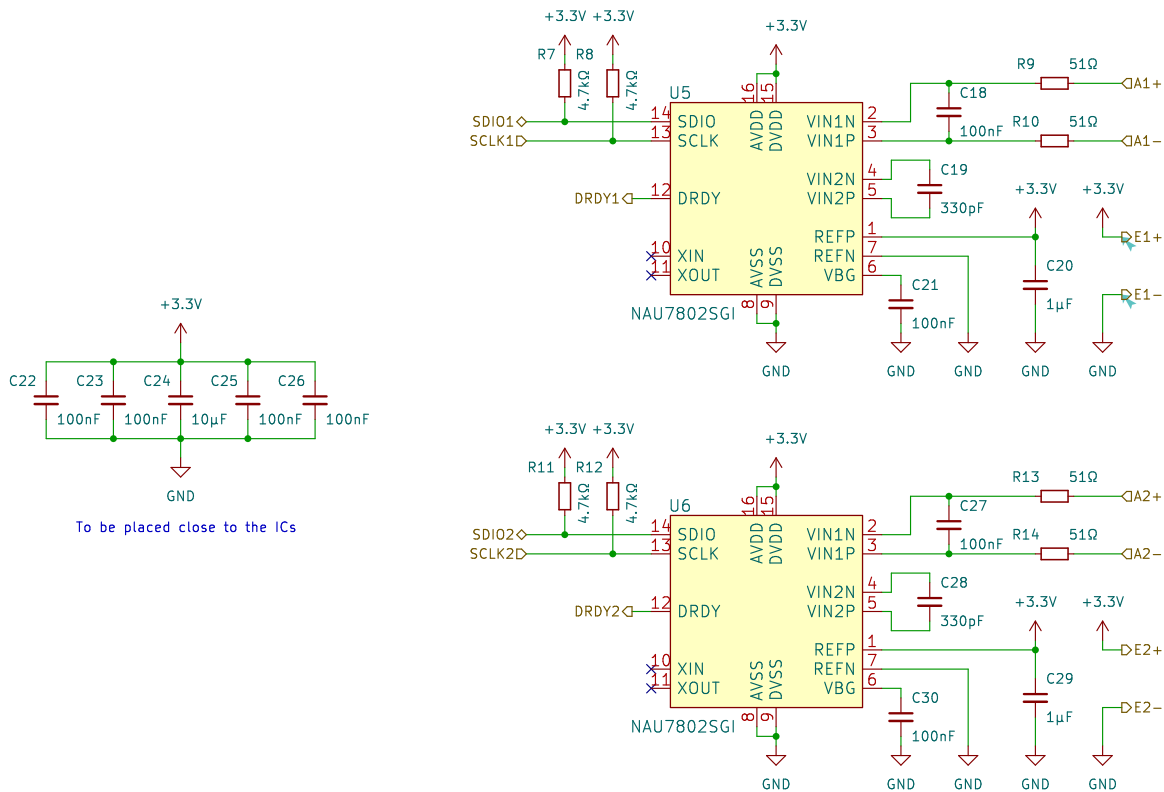
Title: Power Supply

Size: A4 Date: 2023-04-18

Revision: 1.0.0

KiCad E.D.A. kicad 7.0.9

Page: 2/4



Reviewer: M. Jaruga

Author: I. Kajdan

Sheet: ADC

File: adc.kicad_sch

Title: ADC

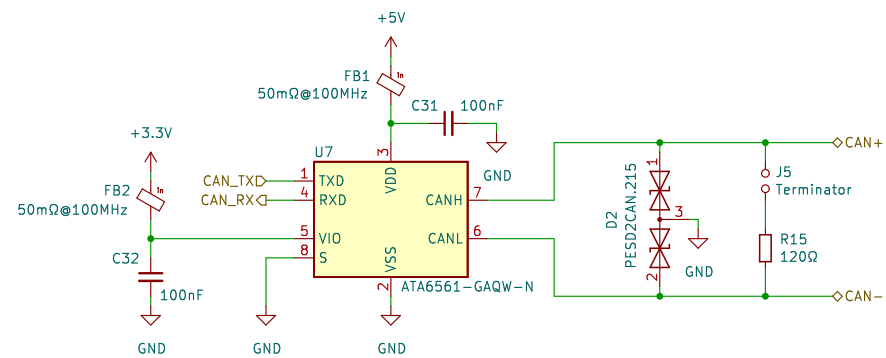
Size: A4

Date: 2023-04-18

Revision: 1.0.0

KiCad E.D.A. kicad 7.0.9

Page: 3/4



Reviewer: M. Jaruga

Author: I. Kajdan

Sheet: CAN Transceiver

File: can.kicad_sch

Title: CAN Transceiver

Size: A4 Date: 2023-04-18

Revision: 1.0.0

KiCad E.D.A. kicad 7.0.9

Page: 4/4