

8 7 6 5 4 3 2 1

F

F

E

E

D

D

C

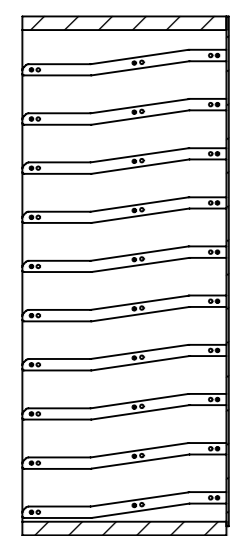
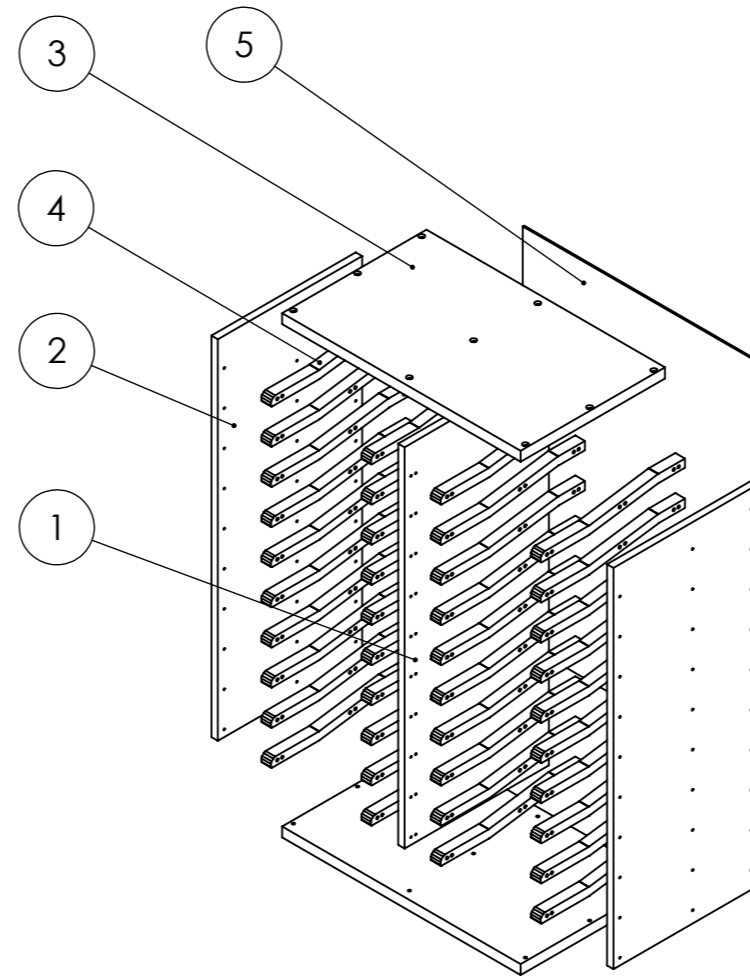
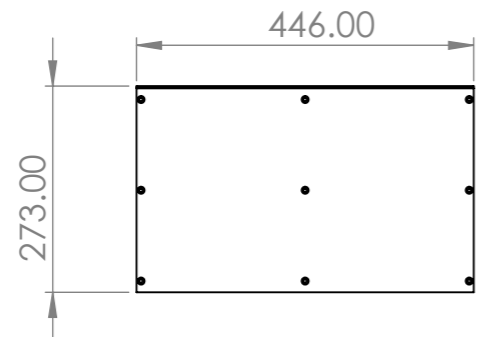
C

B

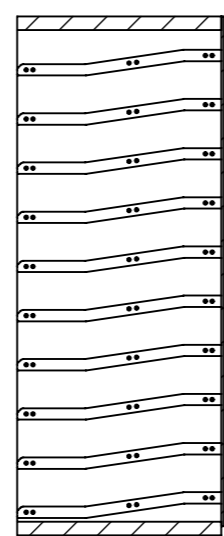
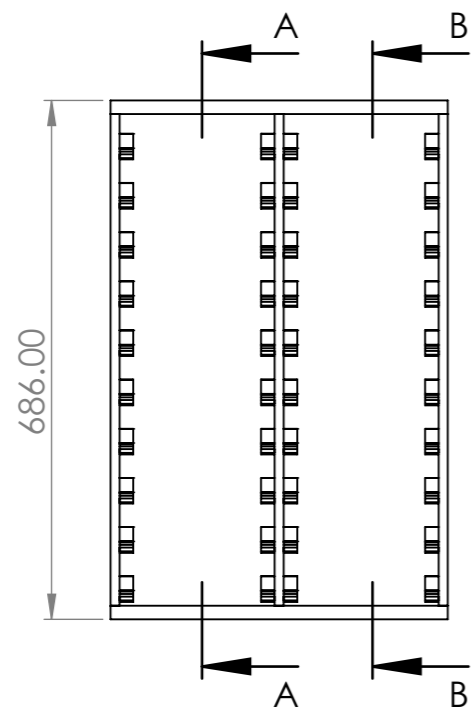
B

A

A



SECTION A-A



SECTION B-B

ITEM NO.	PART NUMBER	DESCRIPTION	QTY.
1	64811-R-01		1
2	64811-R-02		2
3	64811-R-03		2
4	64811-R-04		40
5	64811-R-05		1

UNLESS OTHERWISE SPECIFIED: DIMENSIONS ARE IN MILLIMETERS SURFACE FINISH: TOLERANCES: LINEAR: ANGULAR:			FINISH:		DEBURR AND BREAK SHARP EDGES		DO NOT SCALE DRAWING		REVISION		
DRAWN			NAME		SIGNATURE		DATE		TITLE:		
CHK'D											
APPV'D											
MFG											
Q.A						MATERIAL:			DWG NO.		A3
						WEIGHT:			SCALE:1:10		SHEET 1 OF 1

64811-R-00

8 7 6 5 4 3 2 1