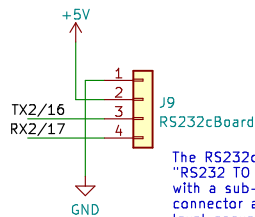
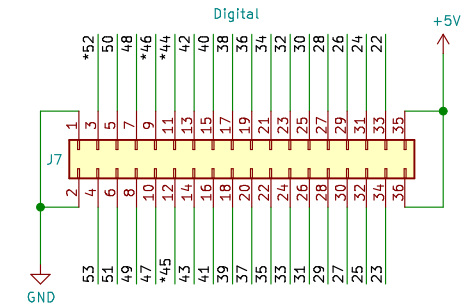
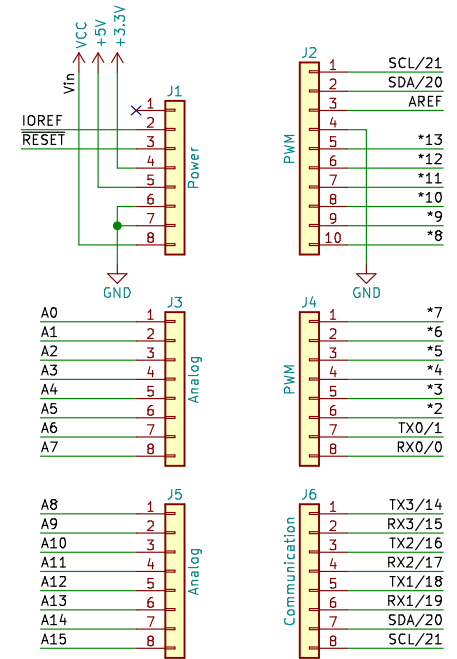


The SD-card board is a full-size SD card interface with a 16 pin connector, of which only one row is used. Type HW-203.



The RS232c board is a "RS232 TO TTL" board with a sub-DE-9 female connector and a MAX232 level converter IC. Type: HW-044



* Indicates a PWM-capable pin

Sheet: /
File: PxDiskMega.kicad_sch

Title: PFBDK for Arduino Mega 2560 exp. shield

Size: A4 Date: 2023-04-08

Rev: 1.0

KiCad E.D.A. kicad 6.0.11+dfsg-1~bpo11+1

Id: 1/1