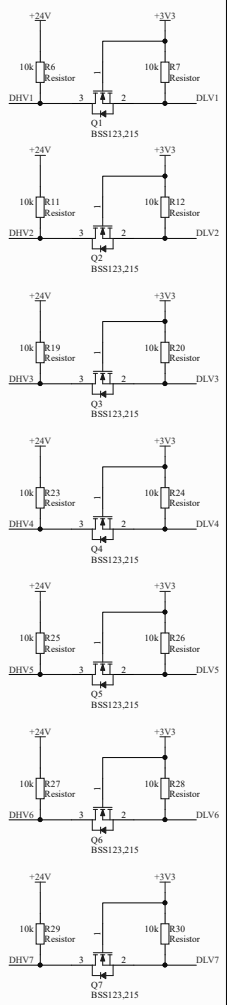
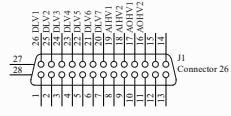
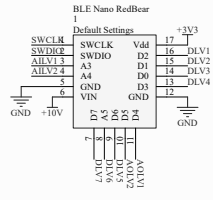
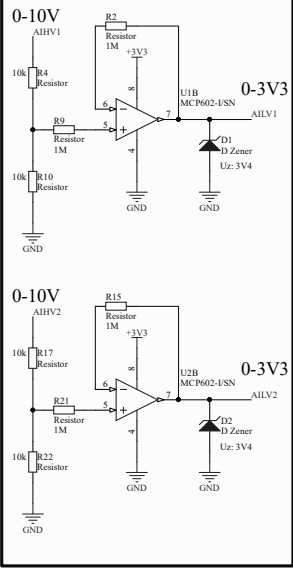


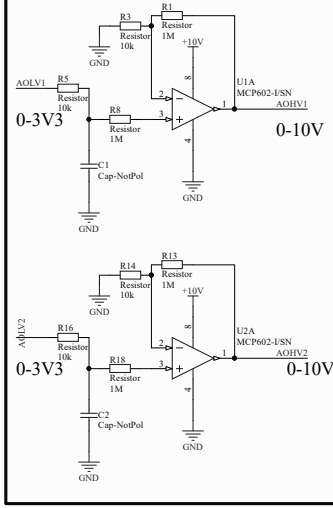
Input/Output Digital Interface



Input Analog Interface



Output Analog Interface



de pus MC33202 in loc de MCP602, motiv: power supply

Title		
Size	Number	Revision
C		
Date:	19-Dec-16	Sheet of
File:	E:\Dropbox\Sheet1.SchDoc	1 Drawn By: