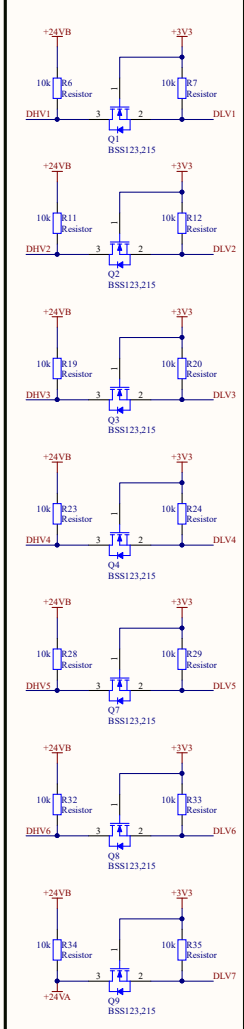
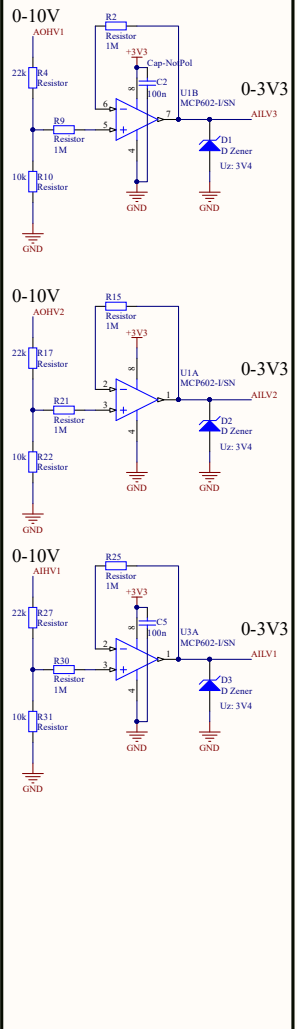


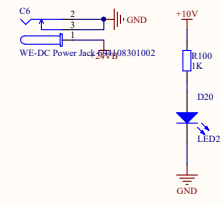
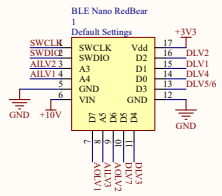
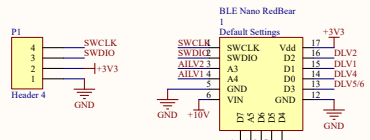
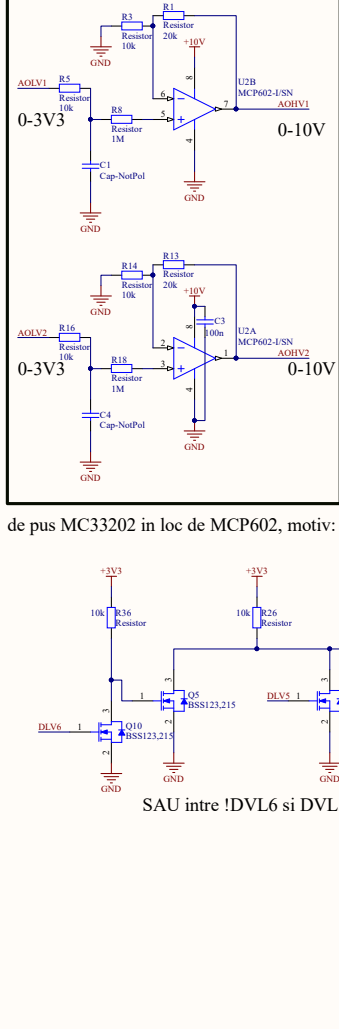
### Input/Output Digital Interface



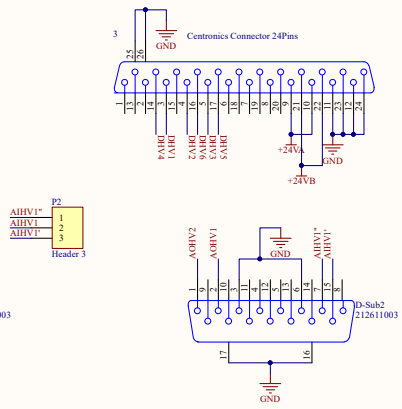
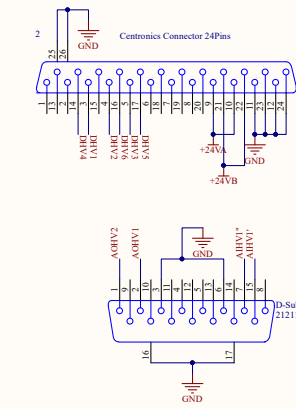
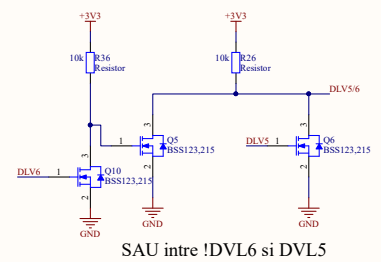
### Input Analog Interface



### Output Analog Interface



de pus MC33202 in loc de MCP602, motiv: power supply



Title		
Size	Number	Revision
C		
Date:	04-Feb-17	Sheet of
File:	E:\Dropbox\Sheet1.SchDoc	Drawn By: