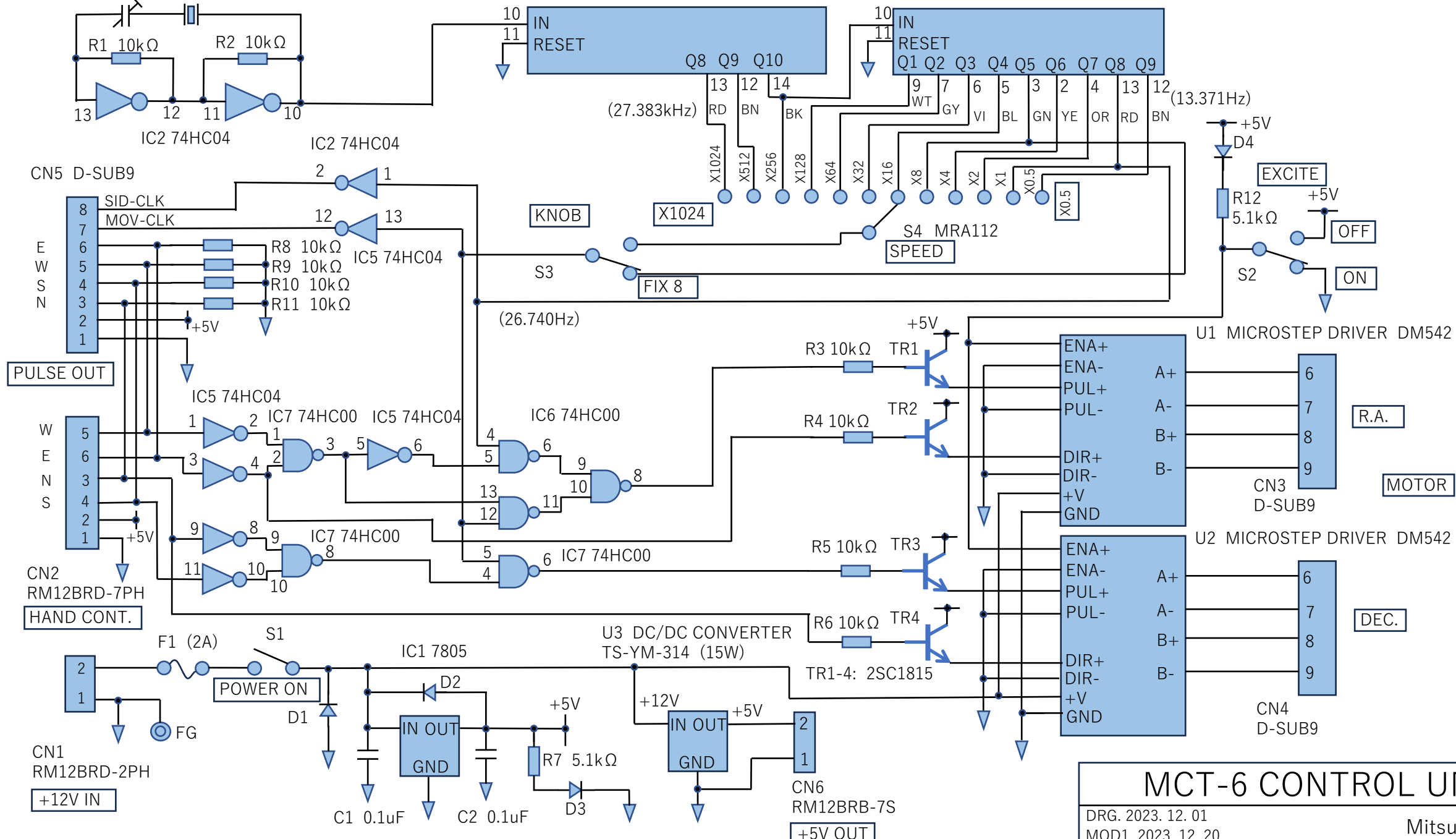


VC1 30pF X1 7.01 MHz (Adj. 7.0097MHz)

IC3 74HC4040

IC4 74HC4040



MCT-6 CONTROL UNIT

DRG. 2023. 12. 01
MOD1. 2023. 12. 20

Mitsuru Yamada