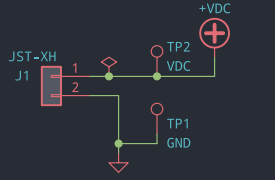


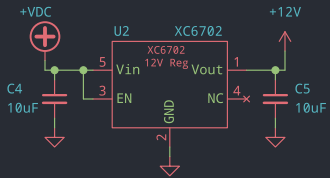
POWER IN



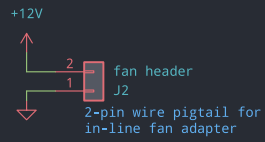
POWER LED



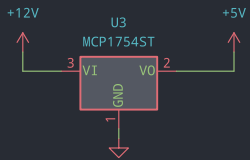
+12V



FAN HEADER



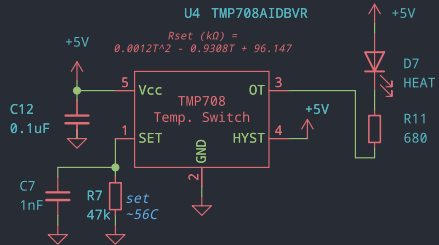
+5V



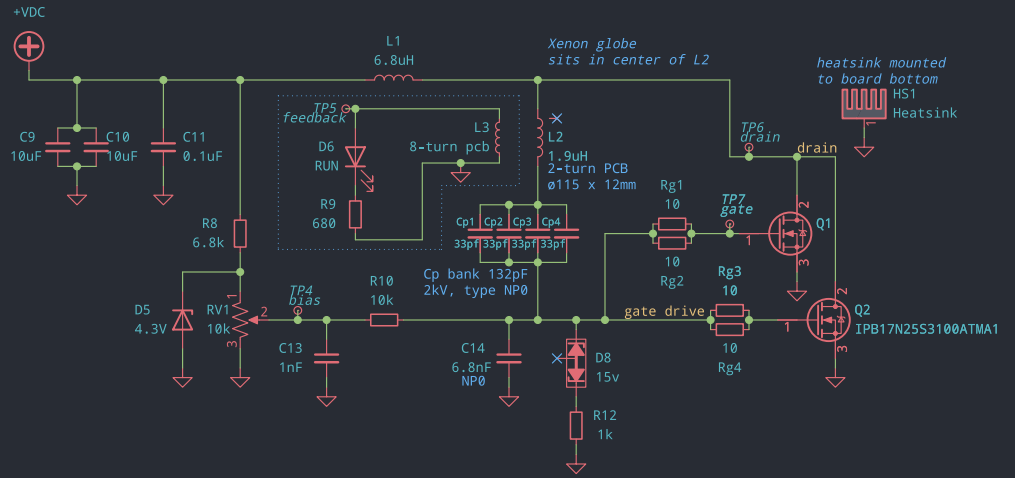
GRAPHIC



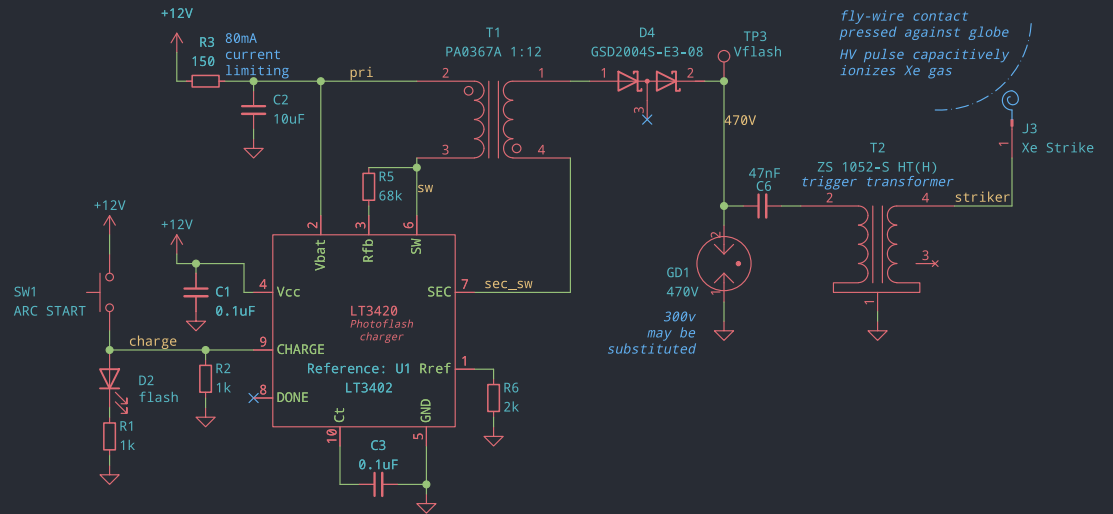
OVERHEAT SENSE



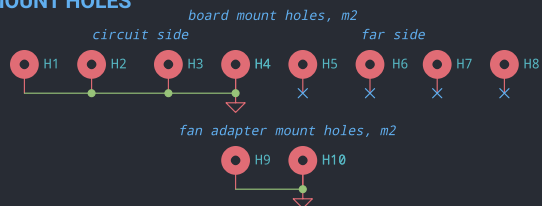
DRIVER



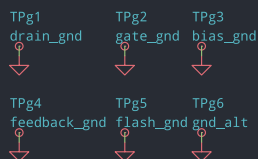
ARC START



MOUNT HOLES



TEST POINTS PAIRED GROUNDS



sky-guided
<https://hackaday.io/project/194683>
 Sheet: /
 File: plasma toroid unified.kicad_sch
Title: plasma toroid generator

Size: A	Date: 2024-08-21
KiCad E.D.A.	kicad 7.0.9
	Rev: 1.02
	Id: 1/1