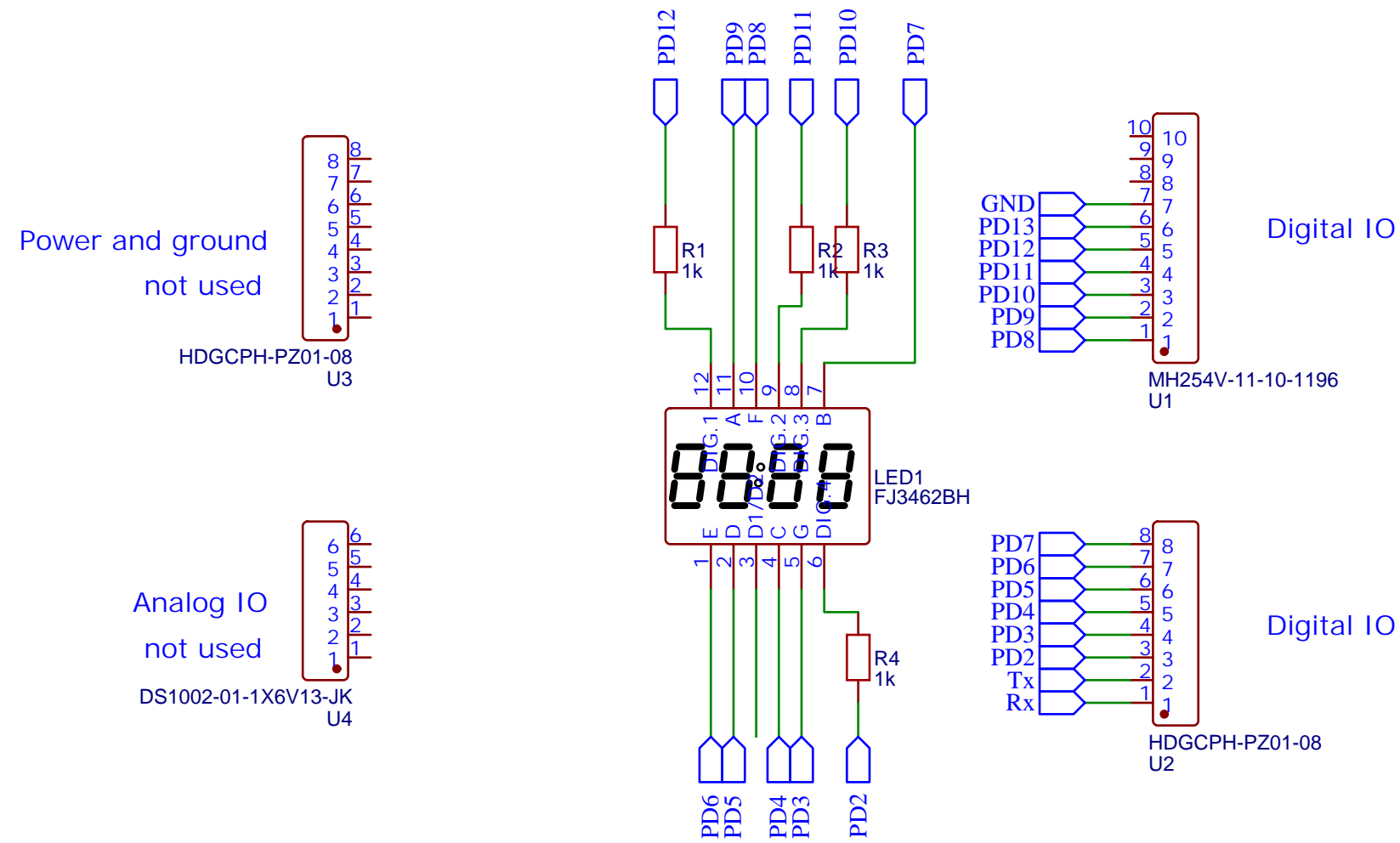


Arduino Uno shield with 4-bit 7-segment LED display
 Simple connection with Arduino Digital IO headers
 Common cathodes connected with Digital IO through 1 k resistors R1-R4
 Common cathodes used to select one digit from 1 to 4, active LOW
 Anodes (segments A-F) connected directly to the digital IO pins PD3 - PD9



TITLE: Sheet_1		REV: 1.0
	Company: Your Company	Sheet: 1/1
	Date: 2024-02-14	Drawn By: Marsianin245