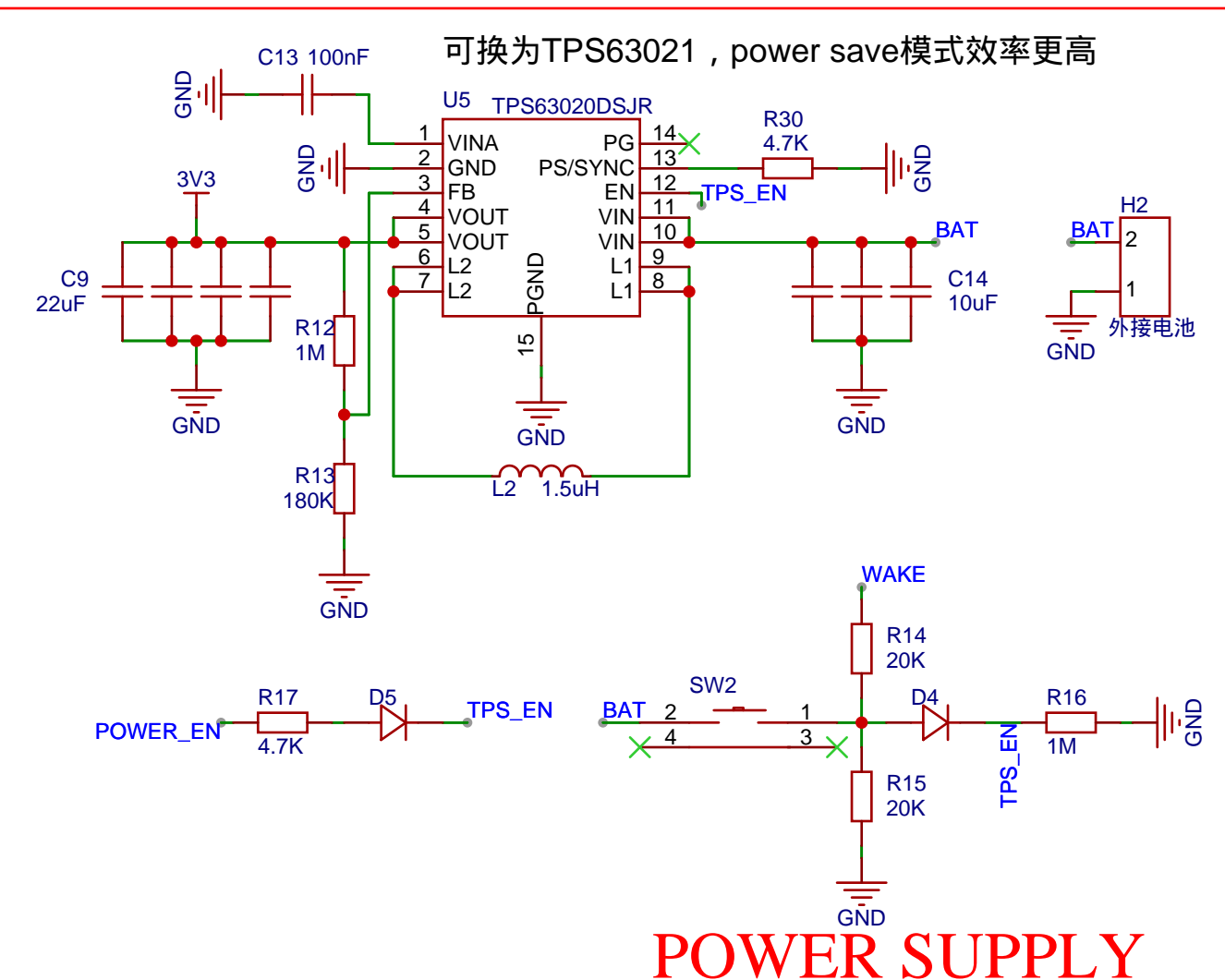
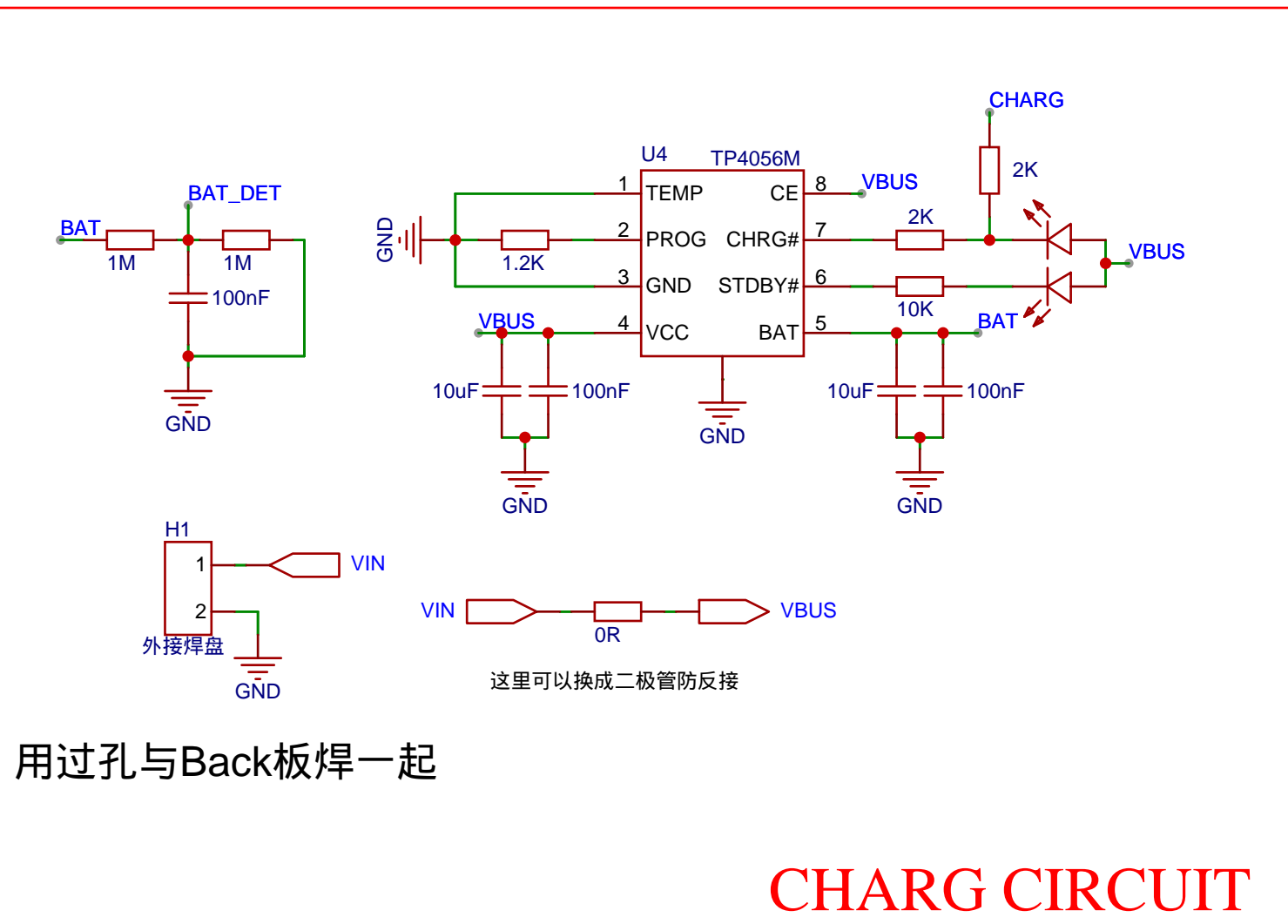


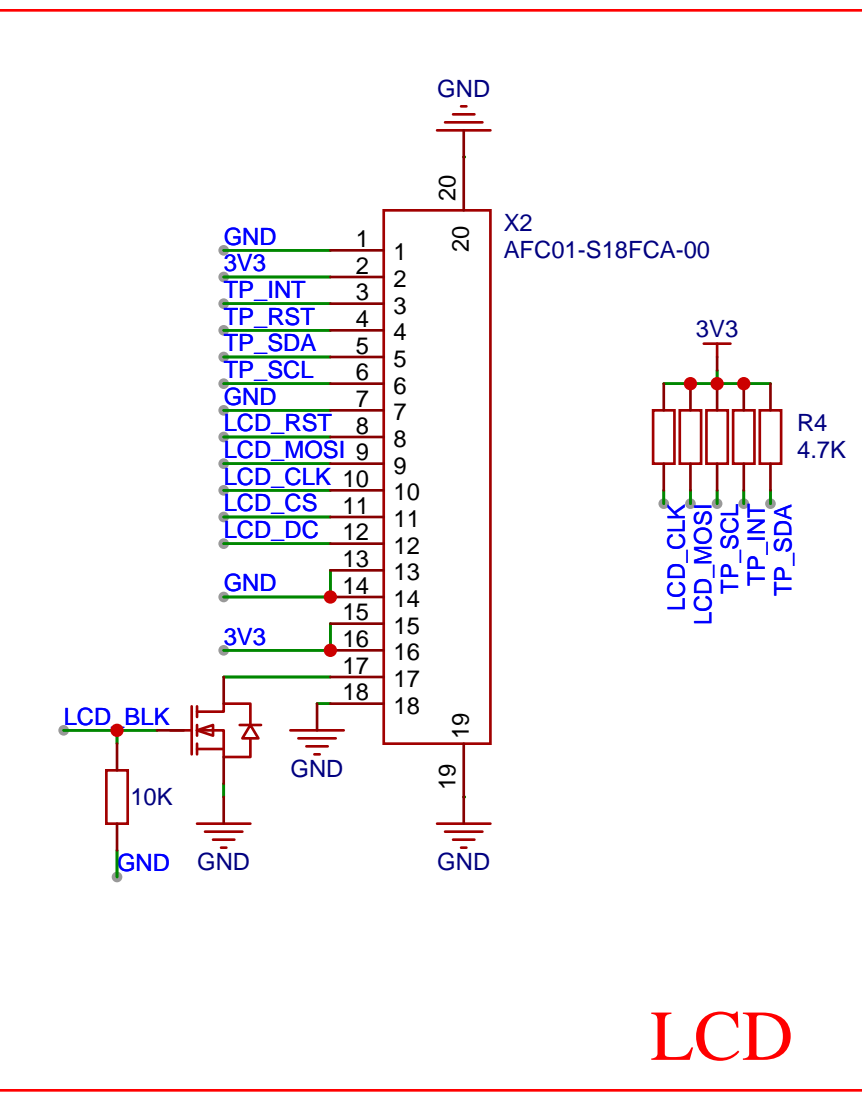
MCU



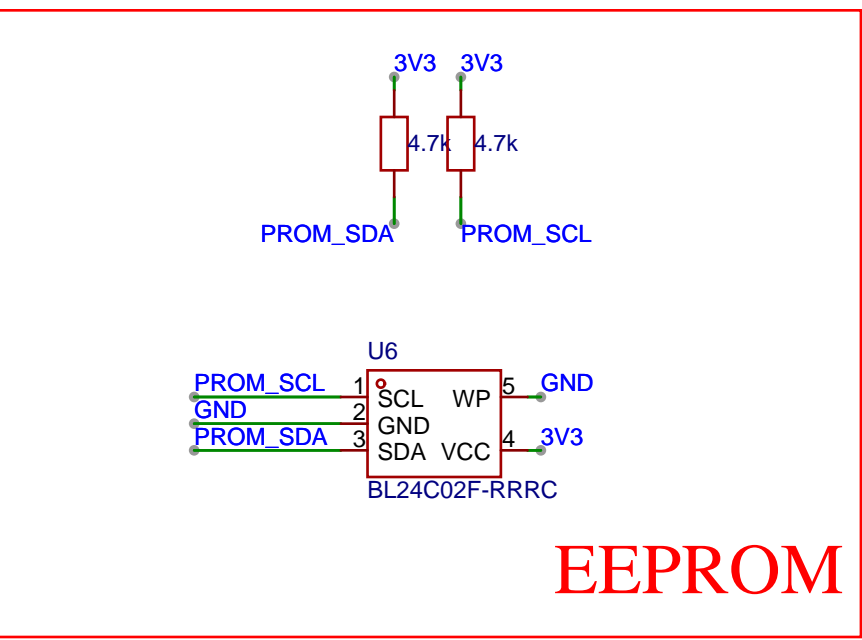
POWER SUPPLY



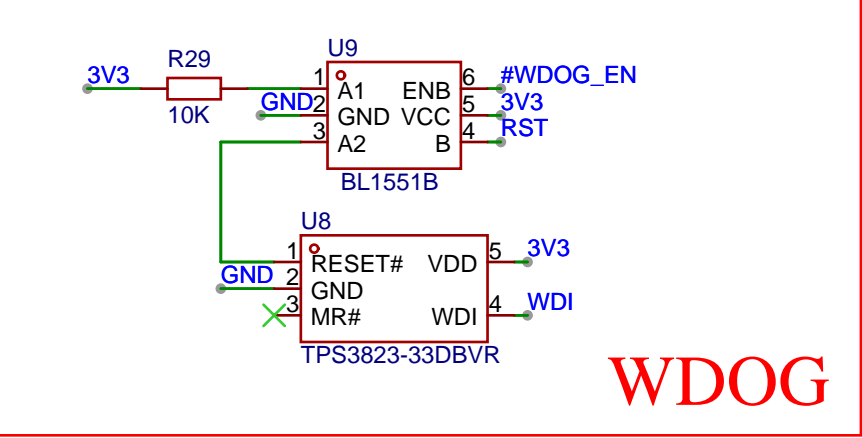
CHARG CIRCUIT



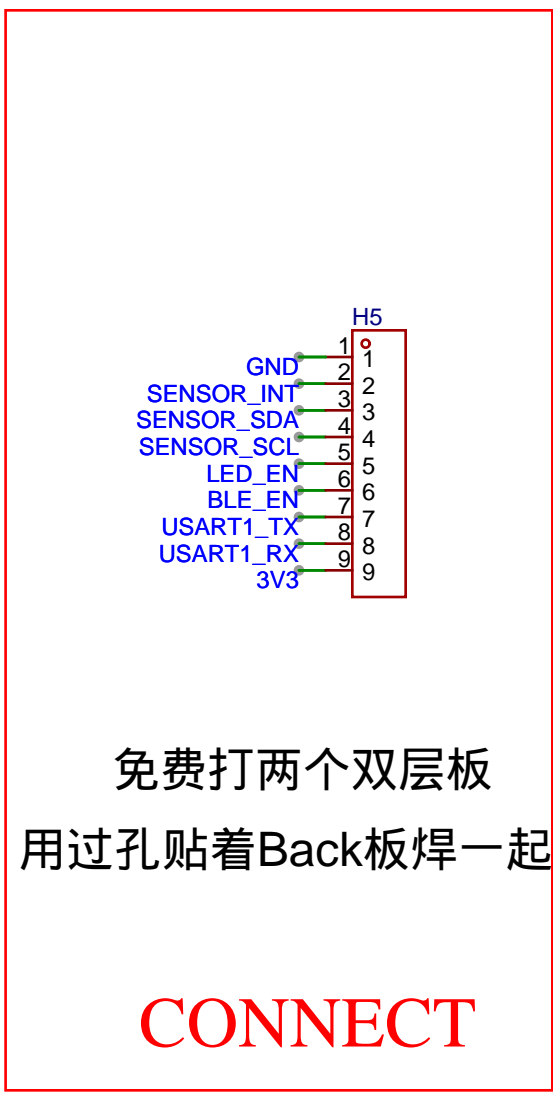
LCD



EEPROM



WDOG



CONNECT

免费打两个双层板
用过孔贴着Back板焊一起

Schematic	Core	Update Date	2023-07-25
		Create Date	2023-07-01
Page	P1	Part Number	
Drawn		OV-Watch_V2.3_2023-4-1	
Reviewed			
	VER	SIZE	PAGE 1 OF 1
	V1.0	A3	嘉立创EDA

