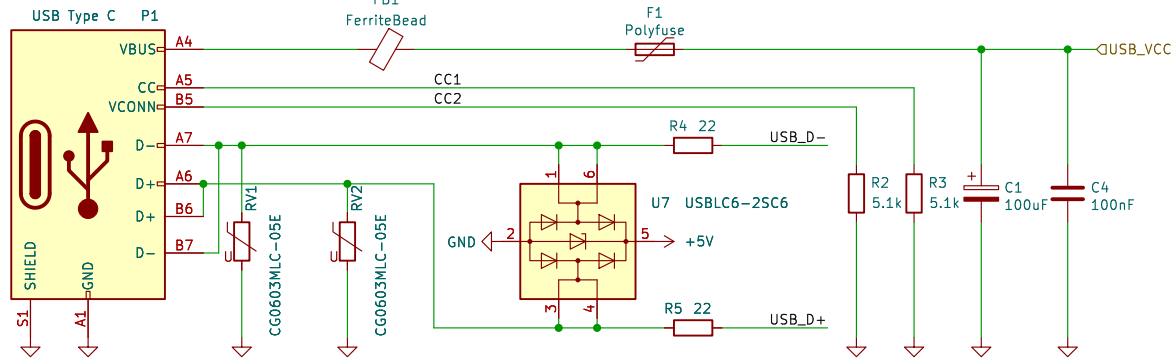
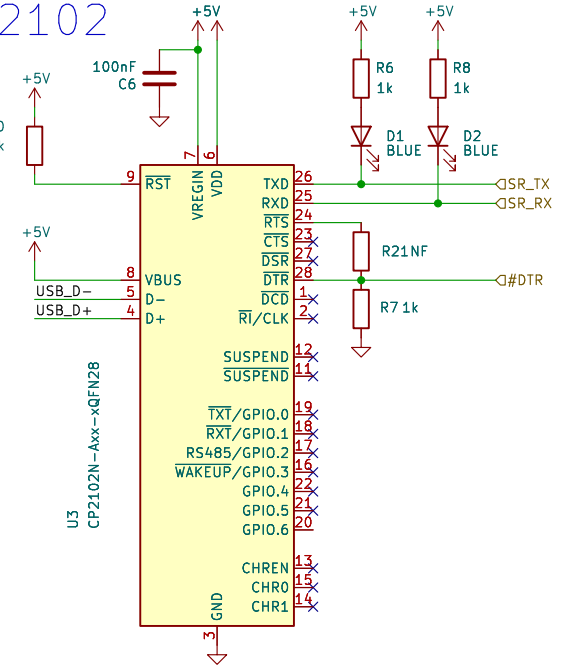


<b>axiometa</b>		
Sheet: /		
File: AxioMeta_Spark_V5.kicad_sch		
<b>Title: Axiometa SPARK (DIP) – TOP LEVEL</b>		
Size: A4	Date:	<b>Rev: R5</b>
KiCad E.D.A. kicad 7.0.8		Id: 1/4

# USB Input



# CP2102



axiometa

Sheet: /USB/  
File: USB.kicad\_sch

**Title: Axiometa SPARK (DIP) - USB Input**

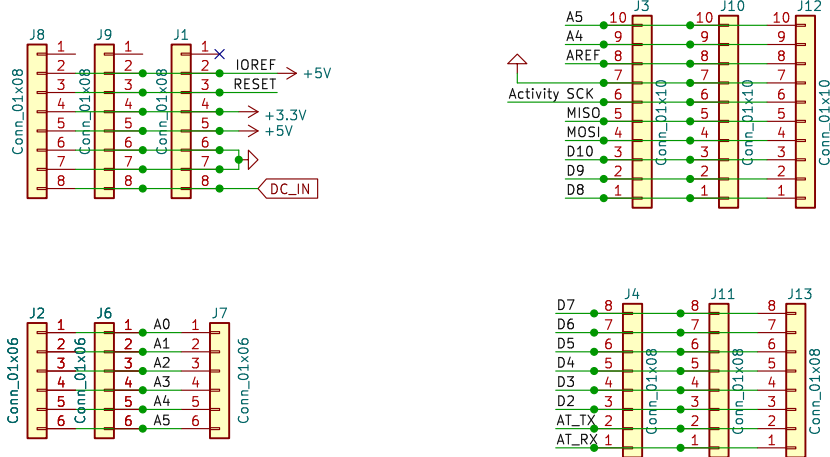
Size: A4  
KiCad E.D.A. kicad 7.0.8

Date:

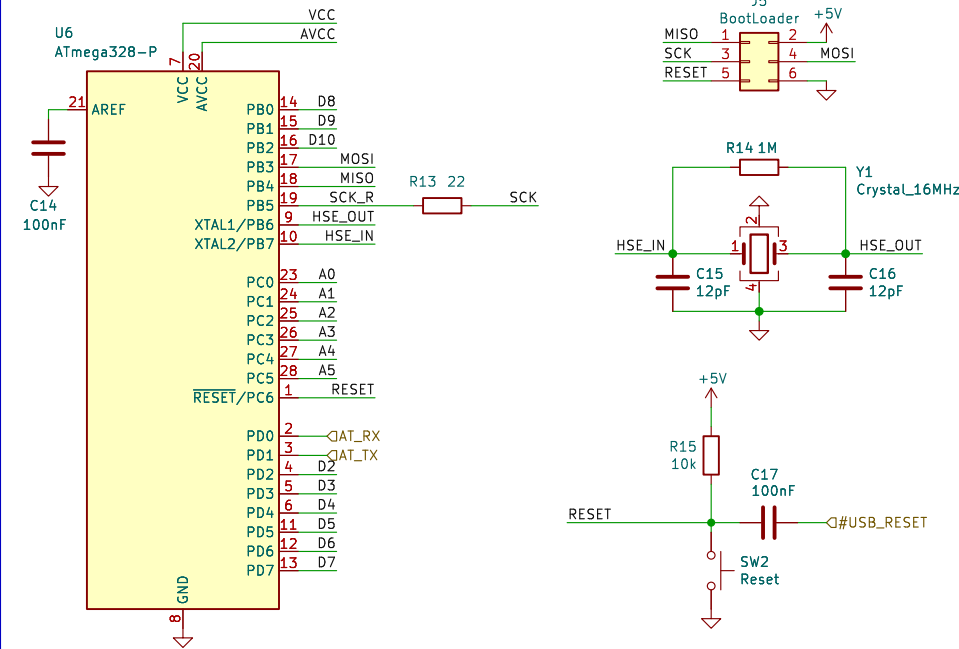
Rev: R5

Id: 2/4

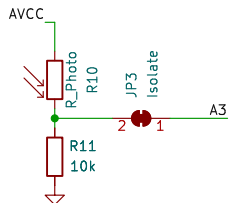
# IO Pins



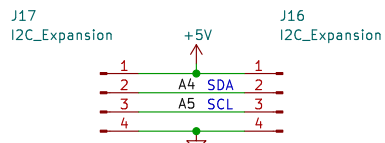
# MCU



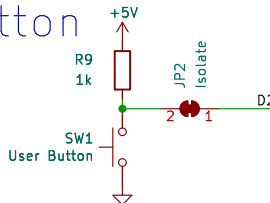
# LDR



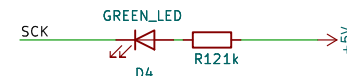
# I2C Expansion



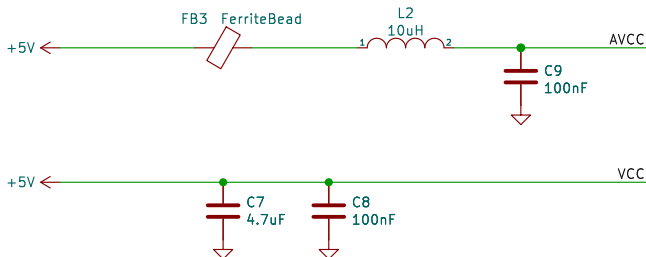
# User Button



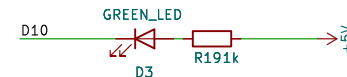
# ACT LED



# Voltage Filtering / Decoupling



# PWM LED



axiometa

Sheet: /MCU/  
File: MCU.kicad\_sch

**Title: Axiometa SPARK (DIP) - MCU**

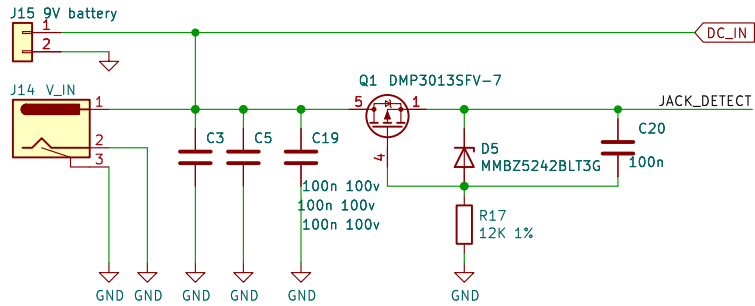
Size: A4  
KiCad E.D.A. kicad 7.0.8

Date:

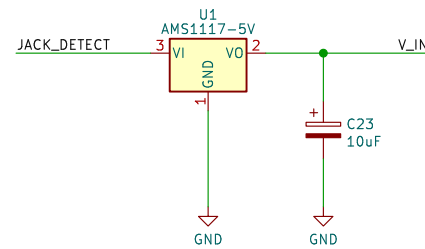
Rev: R5

Id: 3/4

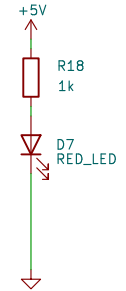
### V\_IN



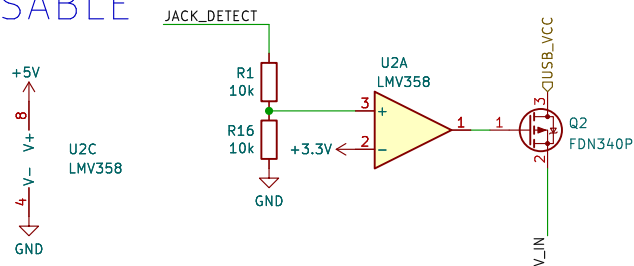
### 5V



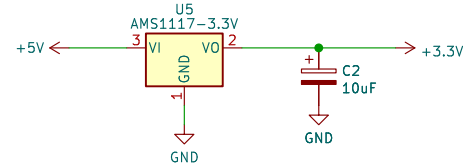
### Power LED



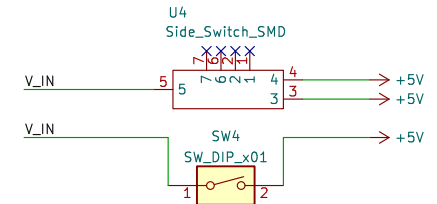
### USB\_DISABLE



### 3.3V



### Power switch



axiometa

Sheet: /PSU/  
File: PSU.kicad\_sch

**Title: Axiometa SPARK (DIP) - PSU**

Size: A4  
KiCad E.D.A. kicad 7.0.8

Date:

Rev: R5

Id: 4/4