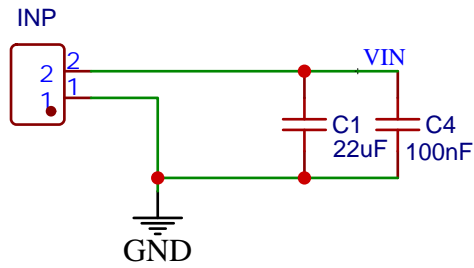
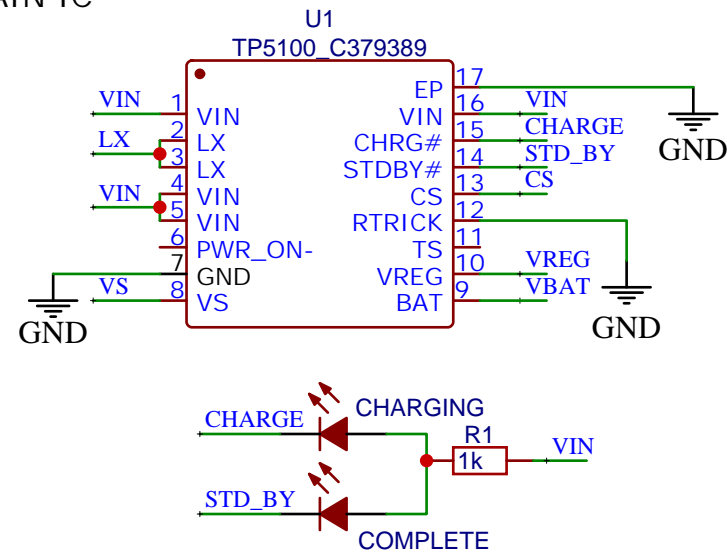


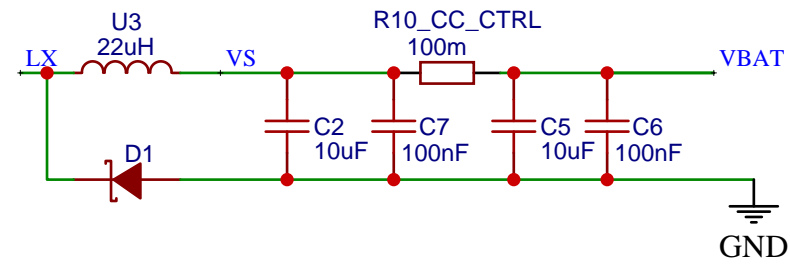
INPUT SECTION



MAIN IC

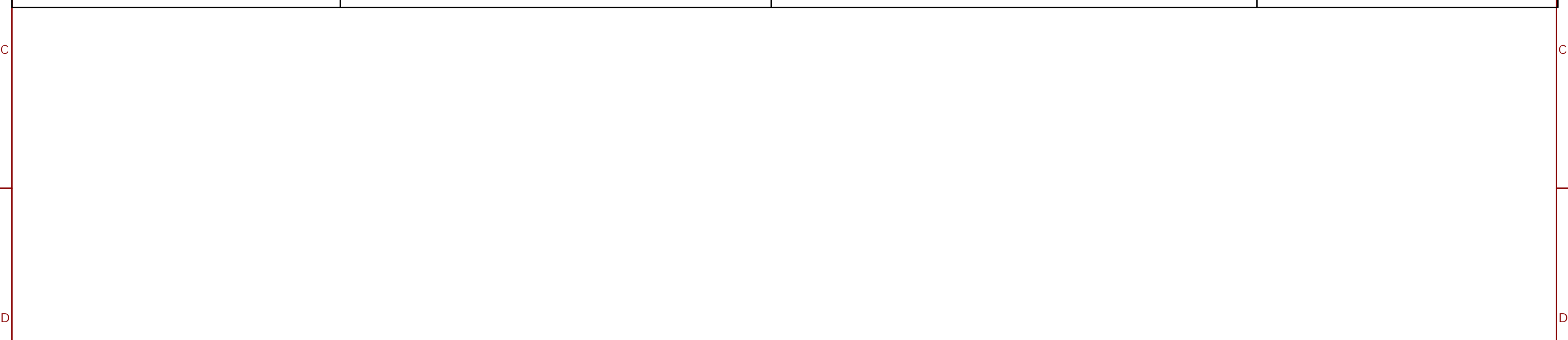
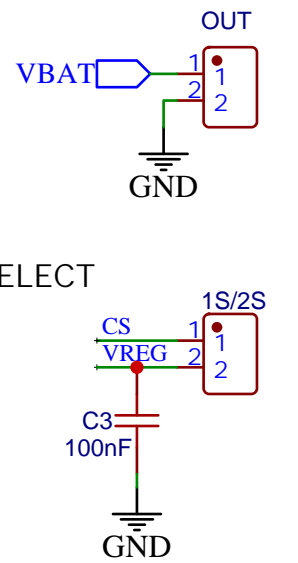


CHARGE CONTROL



OUTPUT

BATTERY SELECT



TITLE: Sheet_1		REV: 1.0
	Company: Your Company	Sheet: 1/1
	Date: 2024-01-06 Drawn By: sagar saini	

