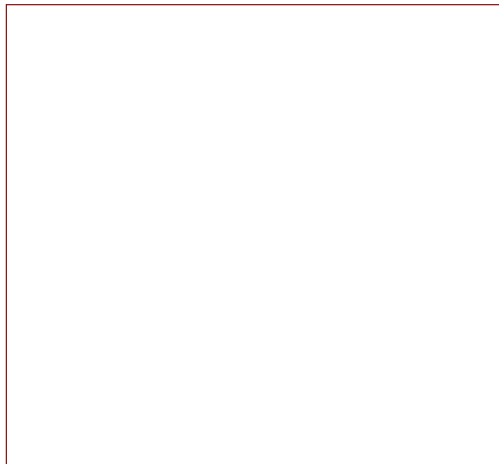
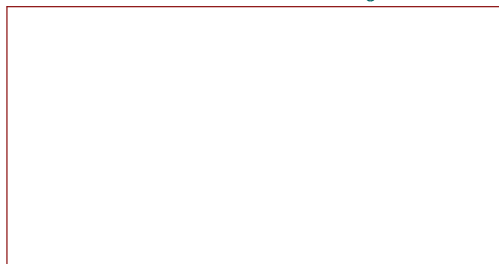


RCL57 Retrofit – PSU Board



File: rcl57_psu.kicad_sch

RCL557 Retrofit – Debug Board



File: rcl57_debug.kicad_sch

tomcircuit

Sheet: /

File: rcl57_debug_psu.kicad_sch

Title: RCL57 Retrofit PSU and Debug

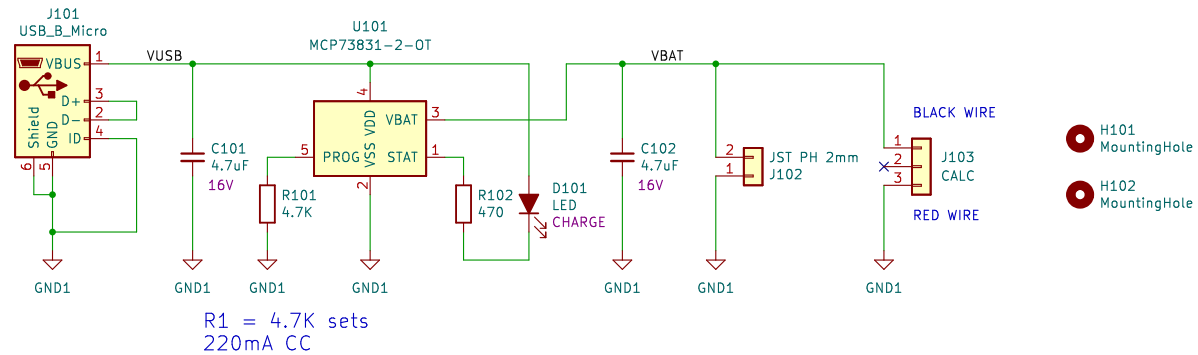
Size: A4

Date: 2024-02-28

Rev: 1

KiCad E.D.A. kicad 7.0.8

Id: 1/3



tomcircuit@gmail.com

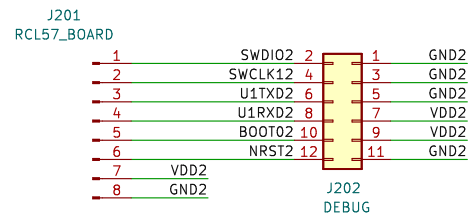
Sheet: /RCL57 Retrofit - PSU Board/
File: rcl57_psu.kicad_sch

Title: RCL57 Retrofit Battery Board

Size: USLetter | Date: 2024-02-26
KiCad E.D.A. kicad 7.0.8

Rev: 1
Id: 3/3

Debug / Bootloader Header Adapter



Sheet: /RCL557 Retrofit - Debug Board/
File: rcl57_debug.kicad_sch

Title: RCL57 Debug Bootloader Adapter

Size: A4 Date: 2024-02-26

Rev: 1

KiCad E.D.A. kicad 7.0.8

Id: 4/3