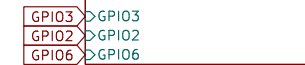
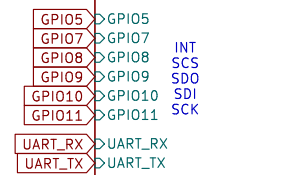


Date: untitled.kicad_sch
RealTimeClock

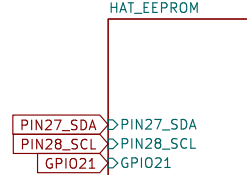


Date: rtc.kicad_sch

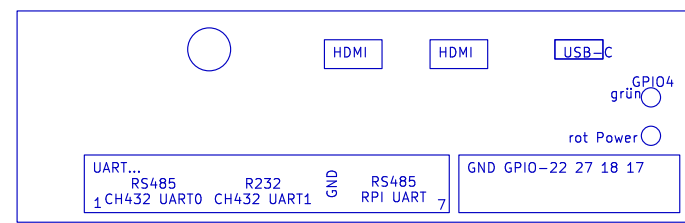
Serial Part



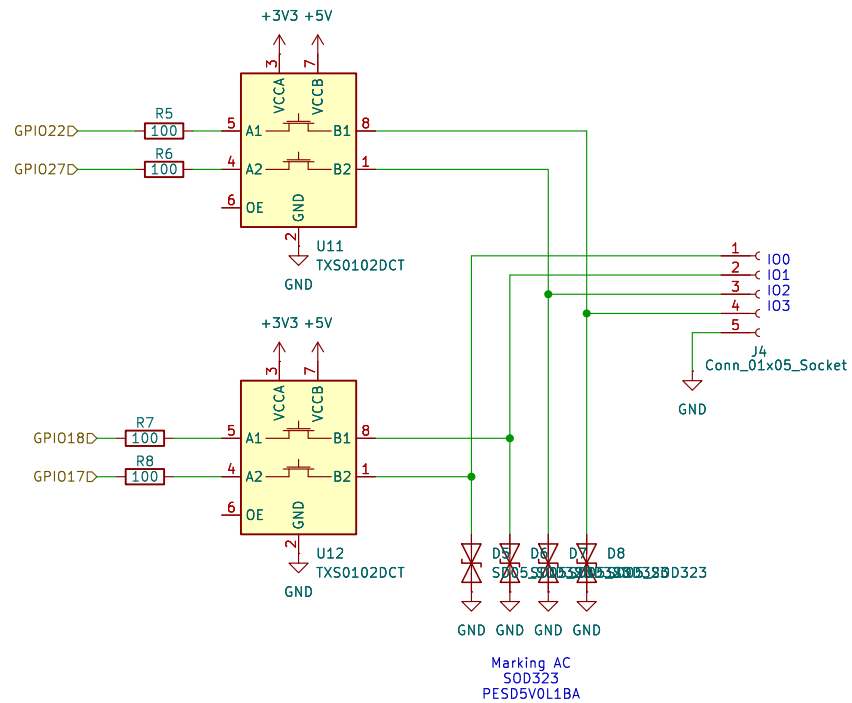
Date: serial.kicad_sch



Date: hat_eeprom.kicad_sch



Reverse Engineered	
ROCKTECH	
Sheet: /	
File: RPI_300_EXT_V1_0.kicad_sch	
Title: RPI 300 EXT V1 0	
Size: A4	Date:
KiCad E.D.A. 8.0.1	Rev: V1.0
	Id: 1/6



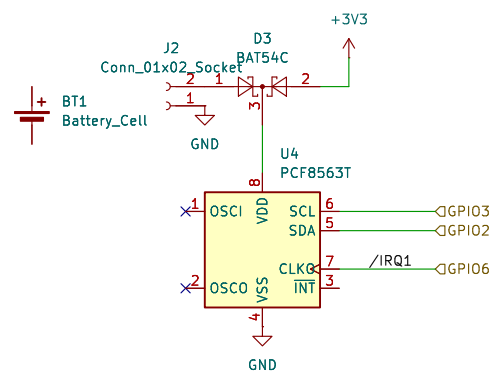
Sheet: /GPIO/
 File: untitled.kicad_sch

Title:

Size: A4
 KiCad E.D.A. 8.0.1

Date:

Rev:
 Id: 2/6



Sheet: /RealTimeClock/
 File: rtc.kicad_sch

Title:

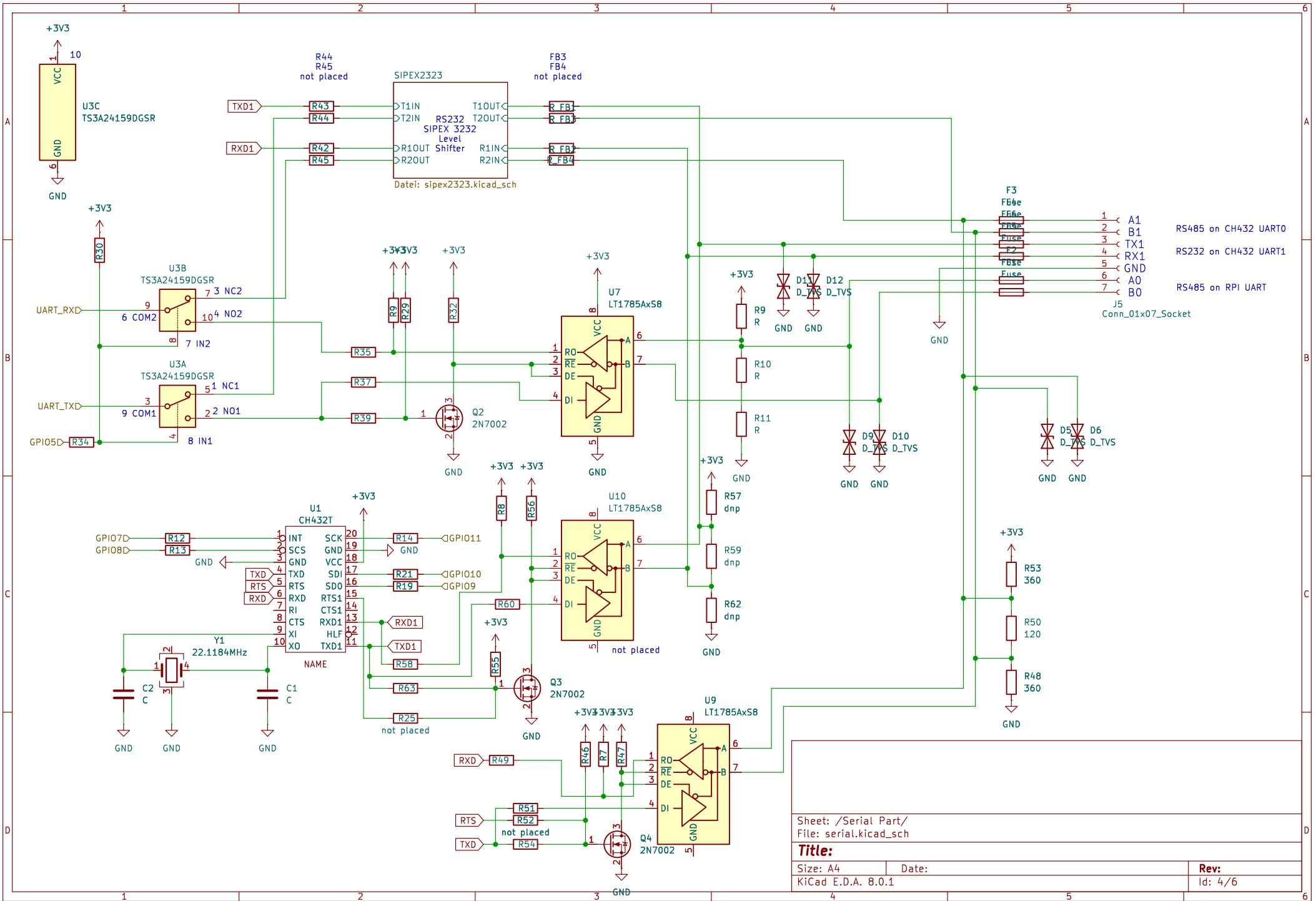
Size: A4

Date:

Rev:

KiCad E.D.A. 8.0.1

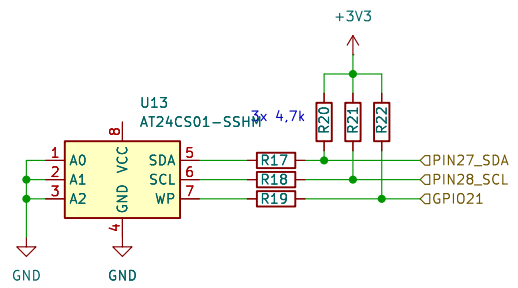
Id: 3/6



- 1 < A1 RS485 on CH432 UART0
- 2 < B1
- 3 < TX1 RS232 on CH432 UART1
- 4 < RX1
- 5 < GND
- 6 < A0 RS485 on RPI UART
- 7 < B0

J5
Conn_01x07_Socket

Sheet: /Serial Part/		Date:	
File: serial.kicad_sch		Rev:	
Size: A4	KiCad E.D.A. 8.0.1	Id: 4/6	



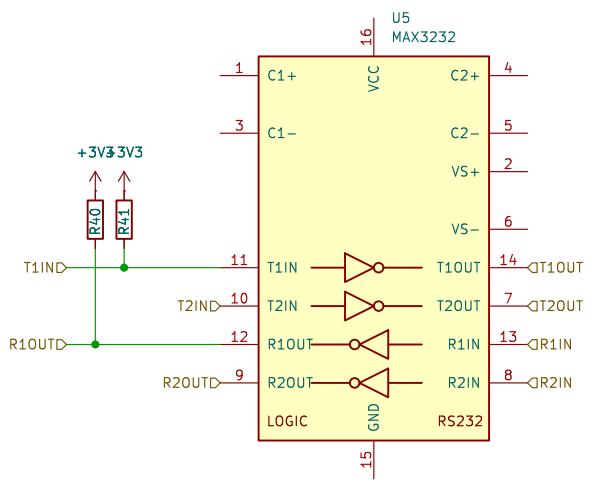
Sheet: /HAT_EEPROM/
File: hat_eeprom.kicad_sch

Title:

Size: A4
KiCad E.D.A. 8.0.1

Date:

Rev:
Id: 5/6



Sheet: /Serial Part/SIPEX2323/		
File: sipex2323.kicad_sch		
Title:		
Size: A4	Date:	Rev:
KiCad E.D.A. 8.0.1		Id: 7/6