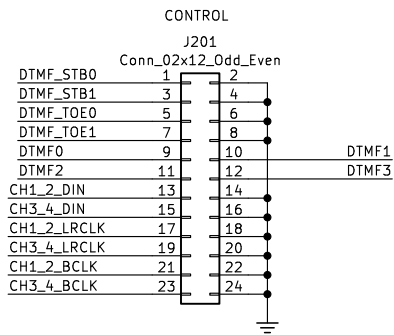


top

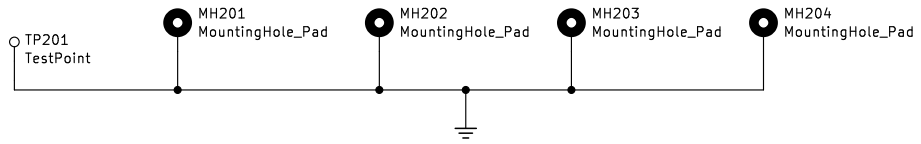
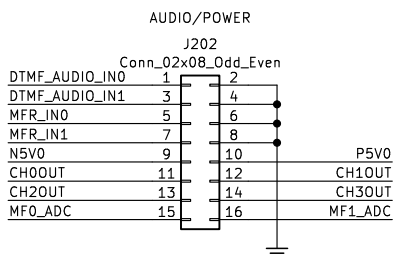
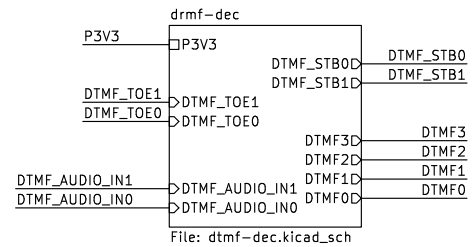
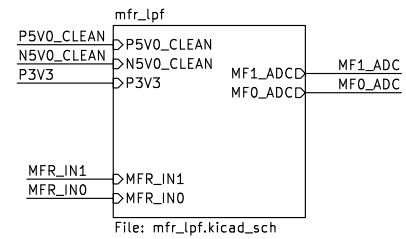
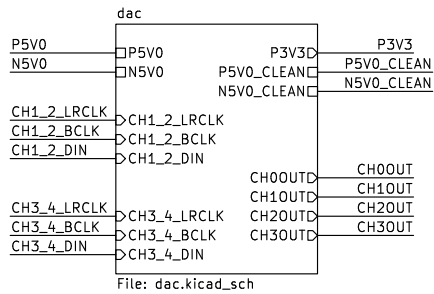
File: top.kicad\_sch



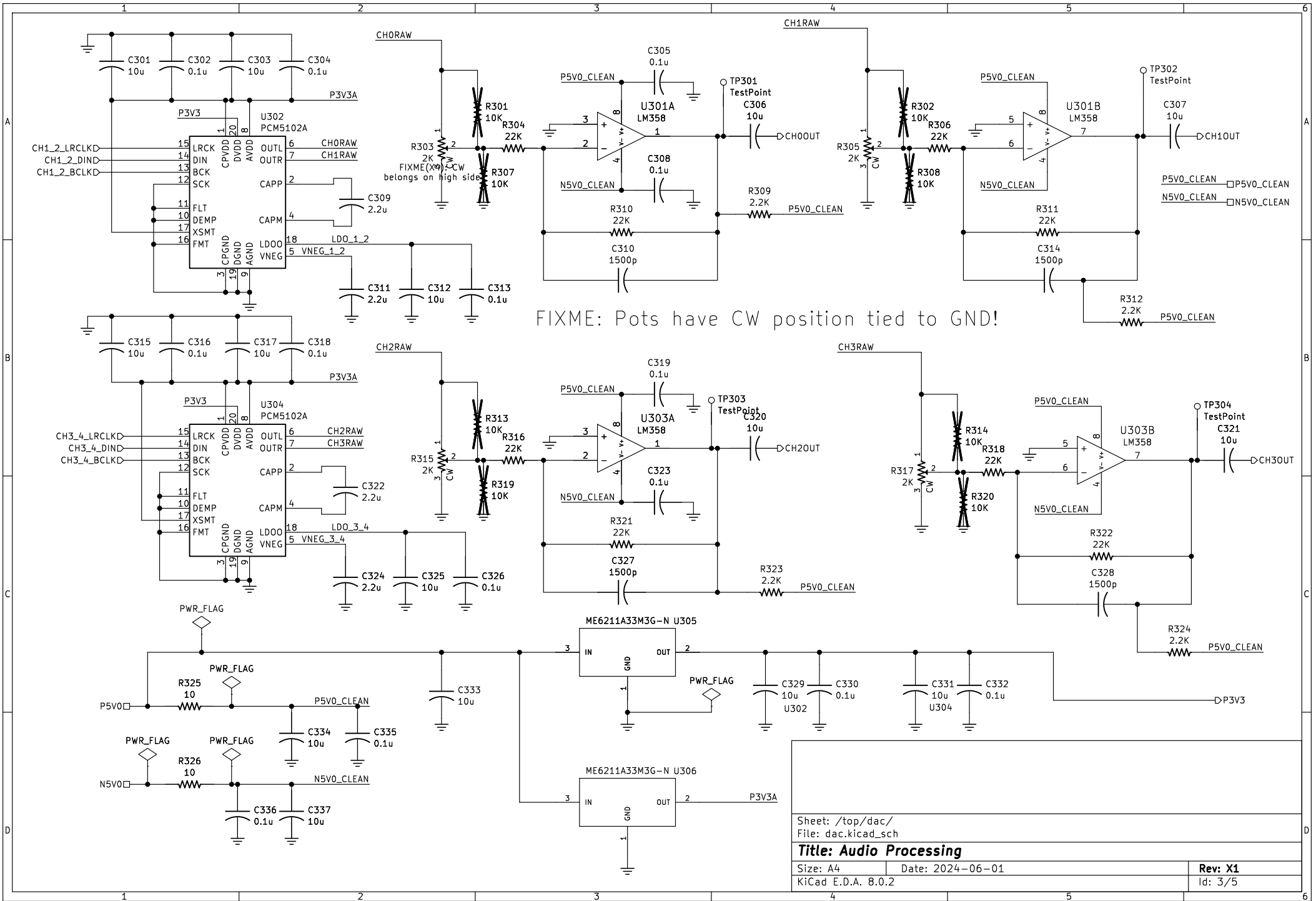
Sheet: /		Date: 2024-06-01	
File: audio_processing_board.kicad_sch		<b>Rev: X1</b>	
Size: A4	KiCad E.D.A. 8.0.2		Id: 1/5



FIXME: J201 and J202 not on 2.54mm centers.  
Board is therefore askew when mounted to backplane.  
Need to reposition these connectors.



Sheet: /top/	
File: top.kicad_sch	
<b>Title: Audio Processing</b>	
Size: A4	Date: 2024-06-01
KiCad E.D.A. 8.0.2	Rev: X1
	Id: 2/5



FIXME: Pots have CW position tied to GND!

Sheet: /top/dac/		File: dac.kicad_sch	
<b>Title: Audio Processing</b>			
Size: A4	Date: 2024-06-01	Rev: X1	
KiCad E.D.A. 8.0.2			Id: 3/5

